

PANZER

German TO&E

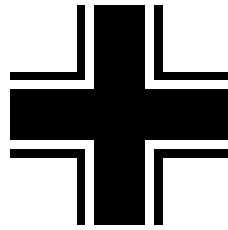
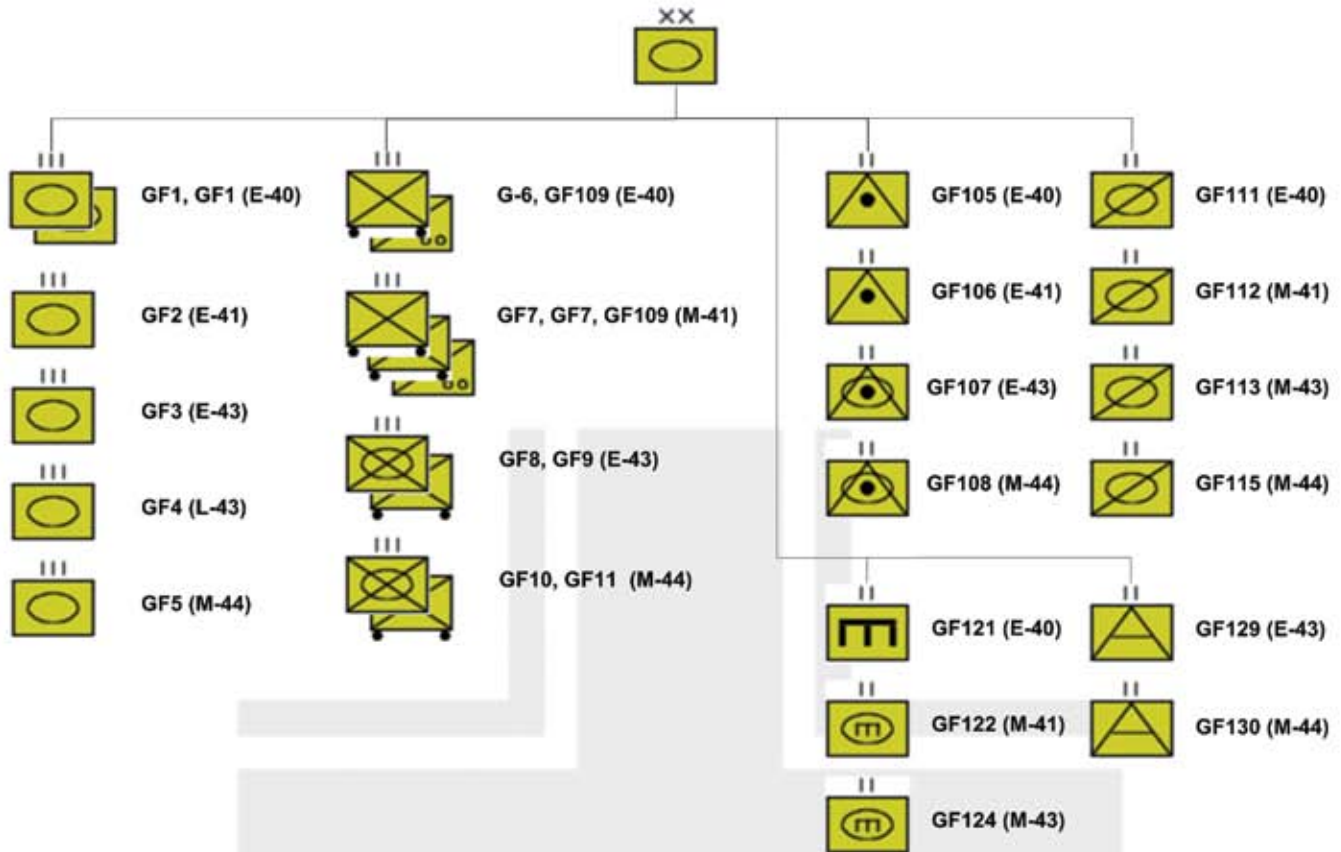


TABLE OF CONTENTS

Panzer Division	2	GF104: Heavy Tank Battalion mid-43	25
(mot) Infantry and Panzergrenadier Division	3	GF105: (mot) Anti-Tank Battalion early-40	25
Infantry Division	4	GF106: (mot) Panzerjäger Battalion early-41	25
Volksgrenadier Division	5	GF107: Panzerjäger Battalion early-43	25
GF1: Panzer Regiment early-40	6	GF108: Panzerjäger Battalion mid-44	26
GF2: Panzer Regiment early-41	6	GF109: Motorcycle Battalion early-40	26
GF3: Panzer Regiment early-43	7	GF110: Motorcycle Battalion early-42	27
GF4: Panzer Regiment late-43	7	GF111: Reconnaissance Battalion early-40	27
GF5: Panzer Regiment mid-44	7	GF112: Reconnaissance Battalion mid-41	28
GF6: (mot) Infantry Regiment early-40	8	GF113: Reconnaissance Battalion mid-43	29
GF7: (mot) Infantry Regiment mid-41	9	GF114: Reconnaissance Battalion mid-43	29
GF8: Panzergrenadier Regiment (gepanzert) early-43	10	GF115: Reconnaissance Battalion mid-44	30
GF9: (mot) Panzergrenadier Regiment early-43	11	GF116: Reconnaissance Battalion mid-44	31
GF10: Panzergrenadier Regiment (gepanzert) mid-44	12	GF117: Reconnaissance Battalion early-40	31
GF11: (mot) Panzergrenadier Regiment mid-44	13	GF118: Reconnaissance Battalion mid-41	32
GF12: (mot) Infantry Regiment early-40	14	GF119: Fusilier Battalion mid-43	32
GF13: (mot) Infantry Regiment mid-41	14	GF120: Fusilier Company mid-44	33
GF14: Panzergrenadier Regiment late-43	15	GF121: (mot) Pionier Battalion early-40	33
GF15: Panzergrenadier Regiment mid-44	16	GF122: Panzer Pionier Battalion mid-41	33
GF16: Infantry Regiment early-40	17	GF123: (mot) Pionier Battalion early-40	34
GF17: Infantry Regiment mid-41	18	GF124: Panzer Pionier Battalion mid-43	34
GF18: Infantry Regiment late-43	18	GF125: (mot) Pionier Battalion mid-43	34
GF19: Volksgrenadier Regiment late-44	19	GF126: Pionier Battalion early-40	34
GF20: Panzer Kampfgruppe late-43	20	GF127: Pionier Battalion mid-43	35
GF21: Kampfgruppe late-43	22	GF128: Pionier Battalion late-44	35
GF100: Panzer Battalion mid-42	24	GF129: FlaK Battalion early-43	35
GF101: Armored Battalion late-43	24	GF130: FlaK Battalion mid-44	35
GF102: Armored Battalion mid-44	24	GF131: Super Heavy Artillery	36
GF103: Heavy Tank Battalion mid-42	24		

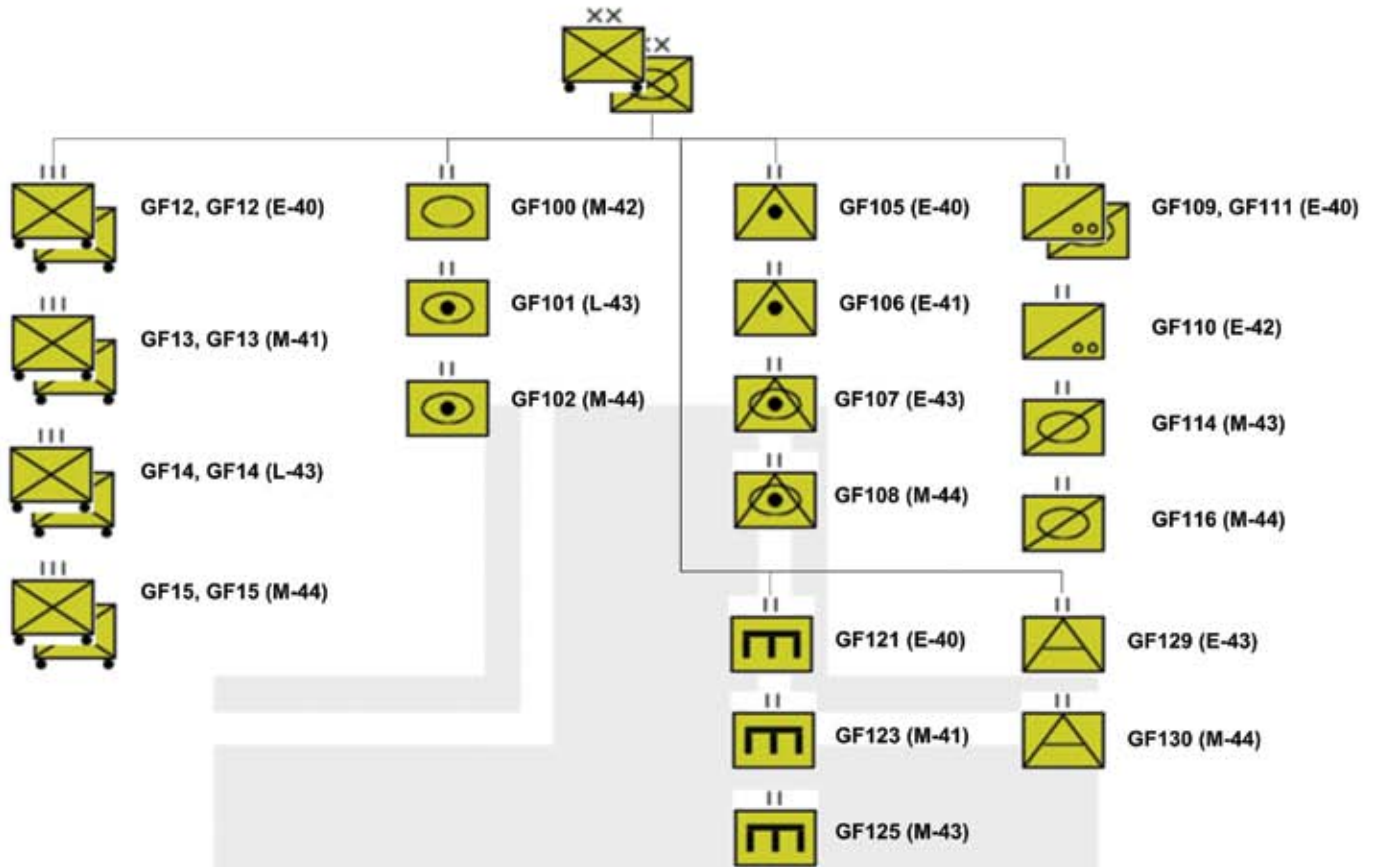
German Panzer Division early-40 through 45



Notes:

- From its initial formation, the panzer division went through a number of iterations, the most significant occurring in 1943 and 1944. A final version was released in early 1945, but the available forces were so limited that most divisions were no more than brigade or regiment sized units. In total, twenty-four panzer divisions were formed.
- While not depicted in the organizational structure, in early-40, the two panzer regiments (GF1) were subordinate to an administrative panzer brigade staff. By early-41, it had been removed from the typical panzer division.
- At that time, four of then available ten panzer divisions, the 6th, 7th, 8th and 9th, fielded just a single panzer regiment (no panzer brigade staff). The 1st through 5th and the 10th panzer divisions fielded two panzer regiments.
- While not depicted in the organizational structure, up until early-43, the (mot) infantry regiments (GF6 & GF7) and the motorcycle battalion (GF109) were subordinate to an administrative (mot) infantry brigade staff. By early-43, it had been removed from the typical panzer division.
- Of the seventeen panzer divisions deployed at the start of Operation Barbarossa, 22 June 1941, nine of their panzer regiments fielded three instead of two panzer battalions. These larger regiments were found in the 3rd (6th Panzer Regiment), 6th (11th), 7th (25th), 8th (10th), 12th (29th), 17th (39th), 18th (18th), 19th (27th) and 20th (21st) Panzer Divisions. The remaining eight panzer regiments fielded the typical two battalions. These regiments were found in the 1st (1st), 4th (35th), 9th (33rd), 10th (7th), 11th (15th), 13th (4th), 14th (36th) and 16th (2nd) Panzer Divisions.
- At that time, six of panzer divisions fielded Czech PzKpfw 35(t) [G-36A] or PzKpfw 38(t) [G-36B, G-9B] instead of the PzKpfw III [G-38A, G-10A]. Only the 6th Panzer Division fielded the PzKpfw 35(t) [G-36A] while the 7th, 8th, 12th, 19th and 20th Panzer Divisions fielded the PzKpfw 38(t) [G36B, G-9B].
- Five additional panzer divisions deployed after the start of the offensive. The 2nd (3rd) and 5th (31st) both in September 1941; the 22nd (204th - three battalions) in February 1942; the 23rd (201st - three battalions) in March 1942; and finally the 24th (24th - three battalions) in May 1942.
- Only four of the sixteen panzer divisions deployed at the start of Operation Zitadelle (Kursk), 1 July 1943, fielded two panzer battalions in their panzer regiments. These units included the 7th (25th), 11th (15th), 13th (4th) and 19th (27th) panzer divisions. The remaining twelve panzer regiments fielded a single panzer battalion. These units included the 2nd (3rd), 3rd (6th), 4th (35th), 5th (31st), 6th (11th), 8th (10th), 9th (33rd), 11th (15th), 17th (39th), 18th (18th), 20th (21st) and 23rd (201st) panzer divisions.
- Five additional panzer divisions deployed after the start of the offensive. The 14th (36th - single battalion) and 24th (24th - single battalion) both in October 1943; the 1st (1st - two battalions) and 25th (9th - single battalion) both in November 1943; and the 16th (2nd - single battalion, its PzKpfw Panther [G-2B] battalion deployed October 1943).
- Heavy tank units (GF103 & GF104) were at times attached to panzer divisions more often serving as independent formations.
- Artillery assets were typically fielded in a single artillery regiment of three (mot) battalions. It was not uncommon to find some four battalion regiments. Starting in mid-43, the panzer divisions converted one battalion to self-propelled guns with the arrival of the 10.5cm-armed Wespe and 15cm-armed Hummel self-propelled guns. The artillery assets are represented as organic batteries in the panzer, (mot) infantry and panzer grenadier regiments. Super heavy batteries (GF131) were fielded as corps and army level assets. They were allocated to the divisions as dictated by the tactical situation.
- Typical formation grade would be Seasoned or Veteran in 1940, Veteran from 1941-1943, Seasoned or Veteran from 1944-1945. Units from the reconnaissance battalion typically are one grade higher. Units from the SP panzerjäger companies or pionier battalion may, at times, be one grade higher.

German (mot) Infantry & Panzergrenadier Division early-40 through 45

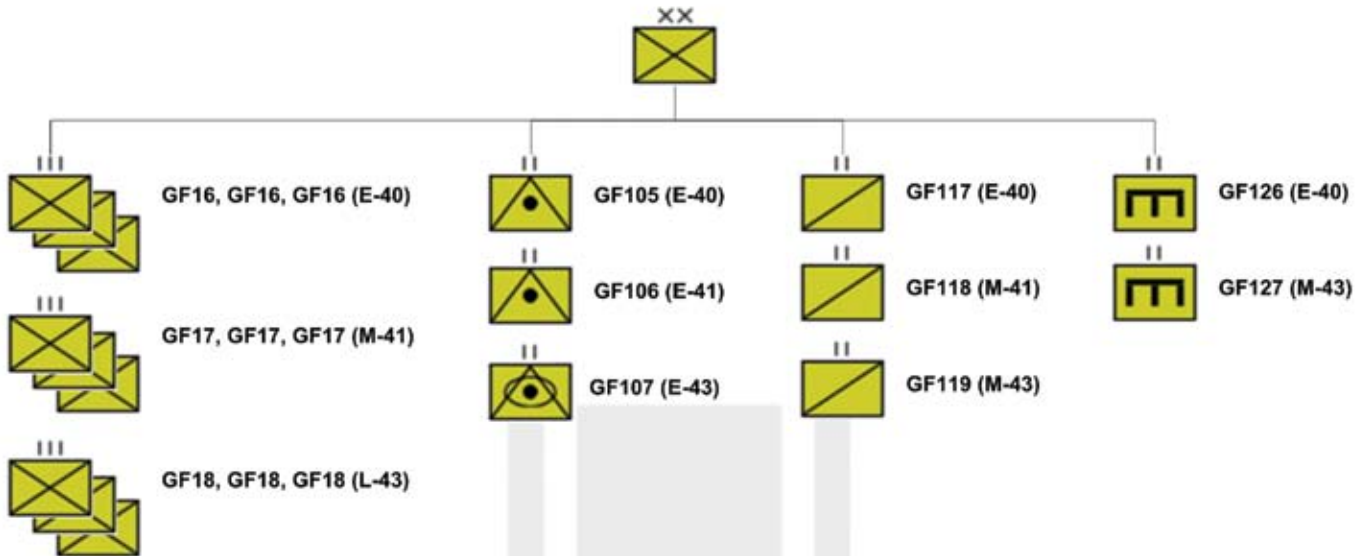


Notes:

- In early-1940, the (mot) infantry divisions were reformed to two (mot) infantry regiments from the original configuration of three (mot) infantry regiments. In total, twelve motorized/panzergrenadier divisions were formed.
- All ten of the then available (mot) infantry divisions were deployed at the start of Operation Barbarossa, 22 June 1941. This included the 3rd, 10th, 14th, 16th, 18th, 20th, 25th, 29th, 36th and 60th (mot) infantry divisions.
- By mid-1942, four (mot) infantry divisions fielded a single panzer battalion. These battalions were found in the 3rd (103rd panzer battalion), 16th (116th), 29th (129th) and the 60th (160th) (mot) infantry divisions.
- By mid-1943, all of the remaining (mot) infantry divisions were officially reclassified as panzergrenadier divisions.
- Two panzergrenadier divisions were deployed at the start of Operation Zitadelle (Kursk), 1 July 1943, the 10th (7th) and 16th (116th).
- All of the remaining panzergrenadier divisions eventually fielded armor battalions. These included the 18th (118th), 20th (8th) and the 25th (5th). In 1943, the 14th and 36th (mot) infantry divisions were de-motorized and reverted to the 14th and 36th infantry divisions respectively. In mid-1943, the 15th panzergrenadier division was formed. It initially fielded the 215th panzer battalion later converting to the 115th panzer battalion.

- One of the most notable German divisions was the (mot) infantry, later panzergrenadier division *Grossdeutschland*. In actuality, its organizational structure more closely mirrored that of the panzer divisions, fielding an entire panzer regiment while retaining three battalions (one armored) in each of its two panzergrenadier regiments. Throughout the war, it was the most powerful and elite division in the German Army.
- Artillery assets were typically fielded in a single artillery regiment of three (mot) battalions. It was not uncommon to find some four battalion regiments. The artillery assets are represented as organic batteries in the (mot) infantry and panzergrenadier regiments. Super heavy batteries (GF131) were fielded as corps and army level assets. They were allocated to the divisions as dictated by the tactical situation.
- Typical formation grade would be Seasoned or Veteran in 1940, Veteran from 1941-1943, Seasoned from 1944-1945. Units from the reconnaissance battalion should be one grade higher. Units from the SP panzerjäger companies or pionier battalion may, at time, be one grade higher.

German Infantry Division early-40 through 45

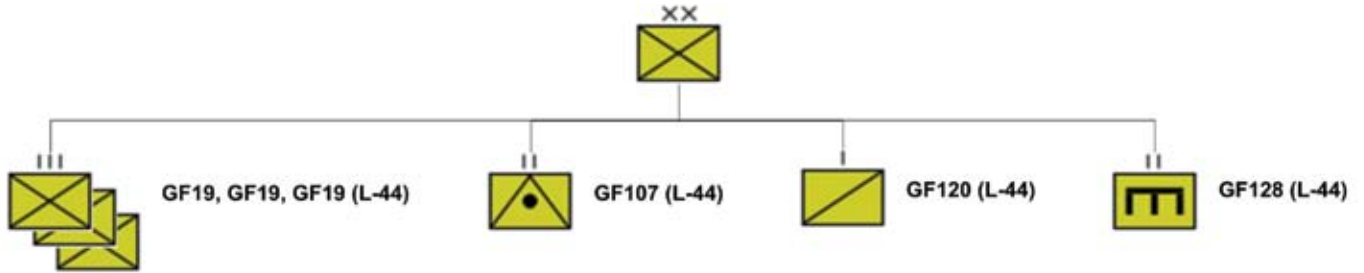


Notes:

- From its initial formation, the infantry division went through a number of minor changes with the most significant occurring in late-1943. At that point it had its infantry regiments reduced from three to two infantry battalions each. In total, three hundred and eighty-nine infantry divisions were formed.
- Even after the infantry regiment was reduced to two infantry battalions, its panzerjäger company and (mot) infantry gun company retained their traditional 13th and 14th company designations.
- Artillery assets were typically fielded in a single artillery regiment of four battalions. The artillery regiment was composed of three medium battalions and one heavy battalion. The artillery assets are represented as organic batteries in the infantry regiments. Super heavy batteries (GF131) were fielded as corps and army level assets. They were allocated to the divisions as dictated by the tactical situation.

- Typical formation grade would be Seasoned or Veteran from 1940-1942, Regulars or Seasoned from 1943-1944, and Green, Regulars or Seasoned in 1945. Units from the Reconnaissance or Fusilier Battalion should be one grade higher. Units from the SP panzerjäger companies or pionier battalion may, at times, be one grade higher.

German Volksgrenadier Division late-44 through 45

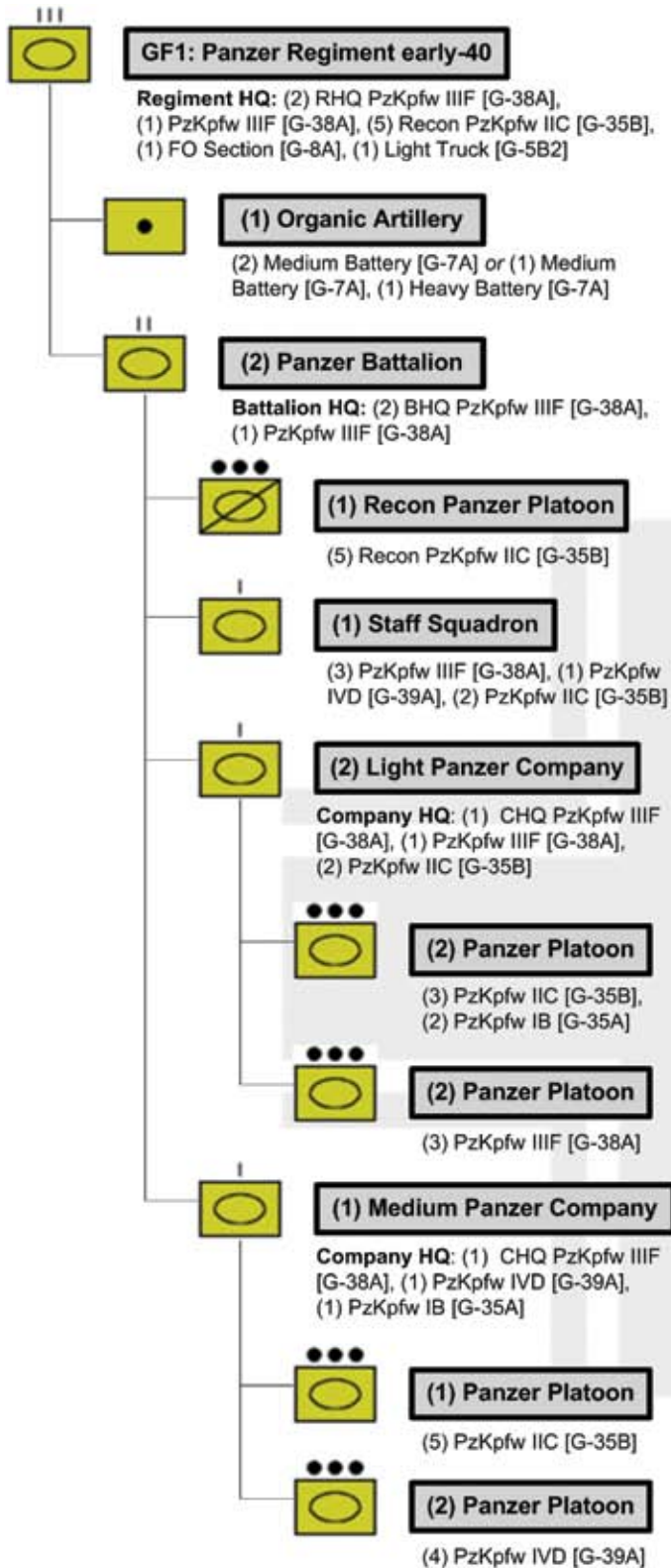


Notes:

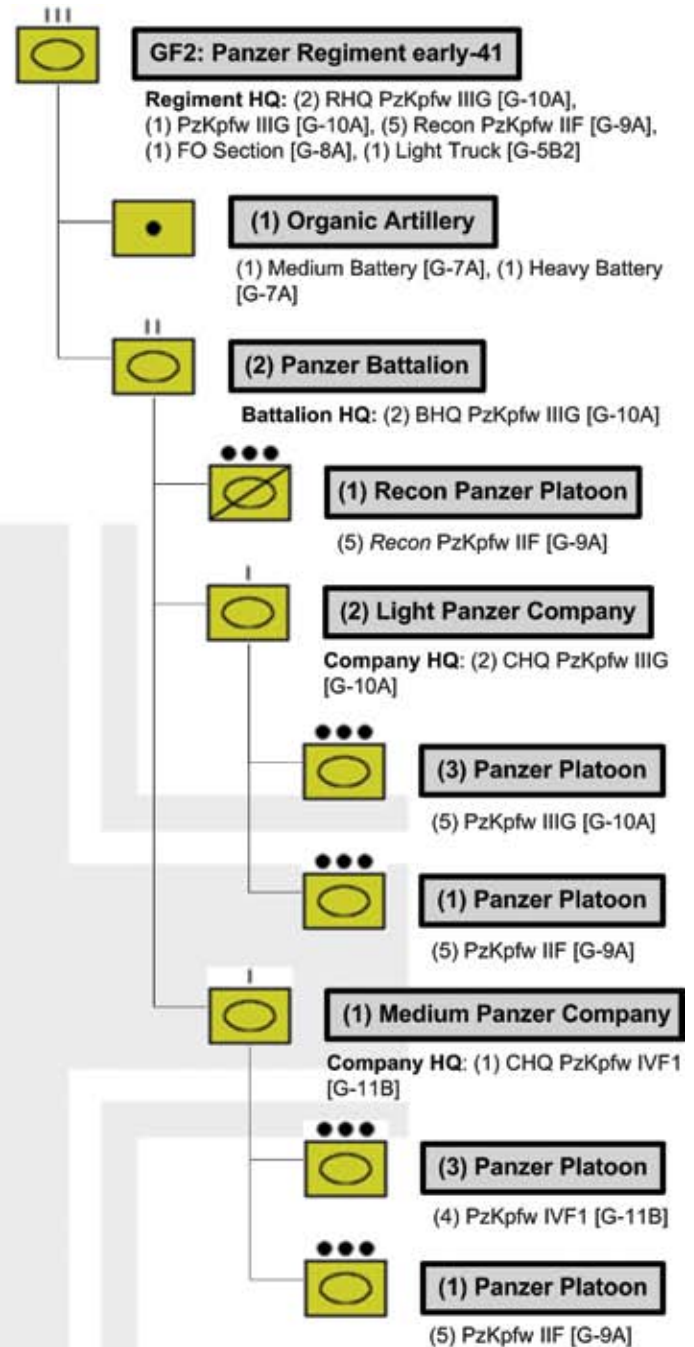
- From its initial formation, the volksgrenadier division essentially retained the same configuration through the end of the war. In total, fifty-four volksgrenadier divisions were formed.
- Artillery assets were typically fielded in a single artillery regiment of four battalions. The artillery regiment was composed of one light battalion, two medium battalions and one heavy battalion. The artillery assets are represented as organic batteries in the infantry regiments. Super heavy batteries (GF131) were fielded as corps and army level assets. They were allocated to the divisions as dictated by the tactical situation.

- Typical formation grade would be Green or Regulars. Units from the fusilier company should be one grade higher. Units from the SP panzerjäger companies or pionier battalion may, at times, be one grade higher.

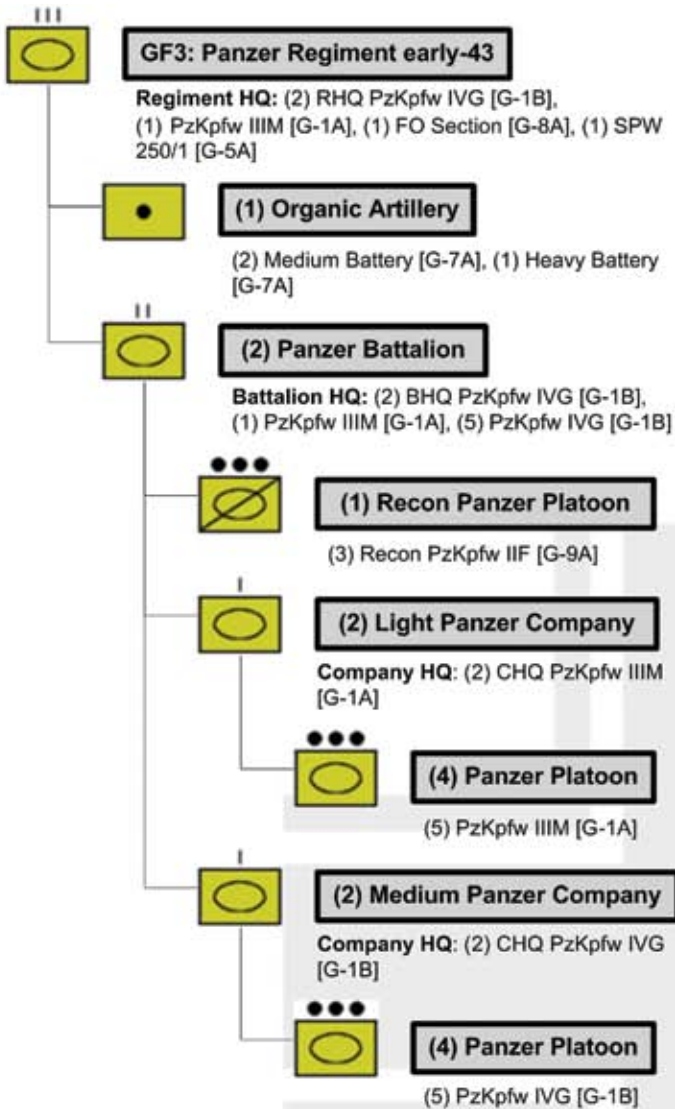


**Notes:**

- Panzer divisions fielded two panzer regiments.
- The PzKpfw 35(t) [G-36A] or PzKpfw 38(t)C [G-36B] may substitute for the PzKpfw IIIIF [G-38A].
- The PzKpfw 35(t) [G-36A] served only in the 6th Panzer Division's 65th Panzer Battalion.
- The PzKpfw IIIIG [G-10A] may substitute for the PzKpfw IIIIF [G-38A]. It did not enter service until after the Battle of France.
- The PzKpfw IVE [G-11A] began appearing in late-40 and may substitute for the PzKpfw IVD [G-39A].

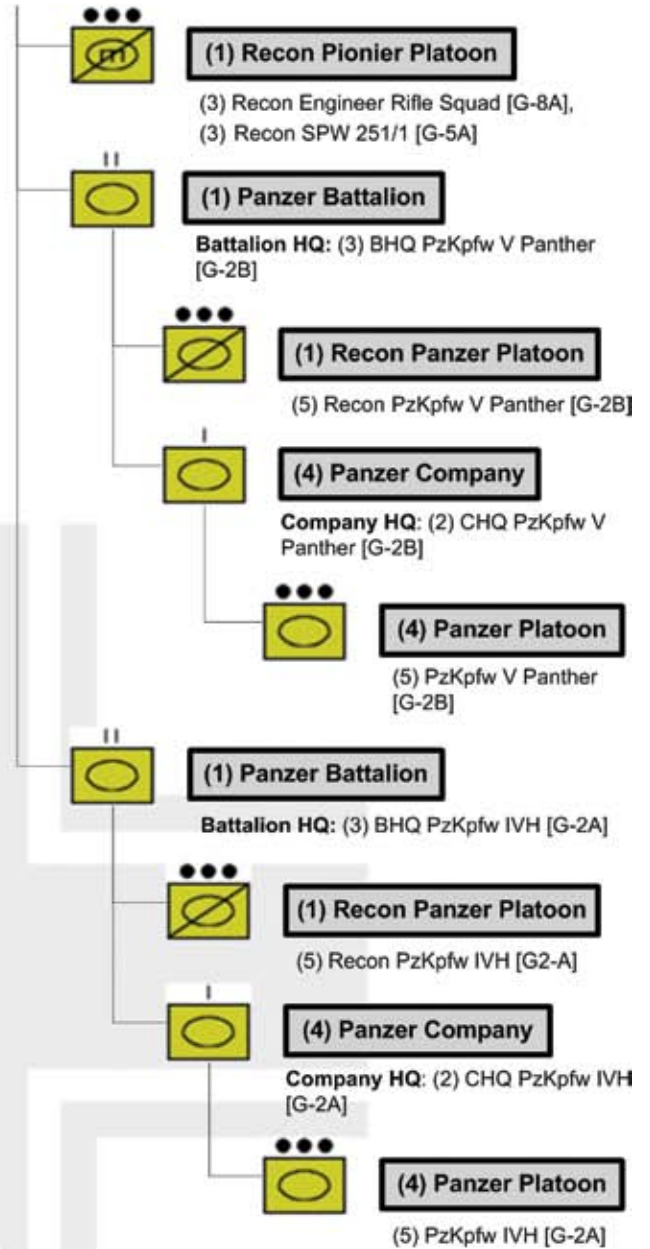
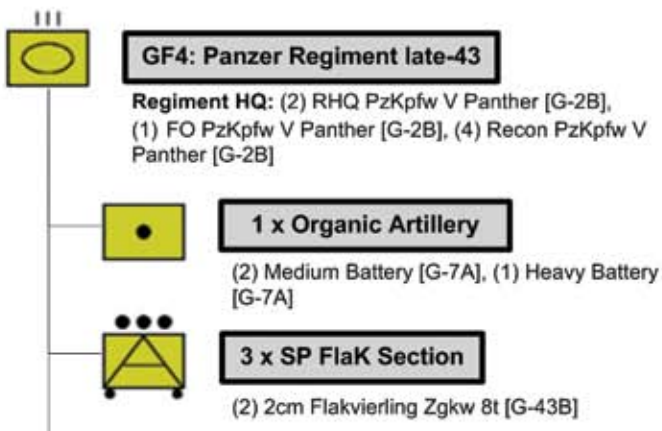
**Notes:**

- Panzer divisions fielded one panzer regiment.
- The PzKpfw 35(t) [G-36A], PzKpfw 38(t)C [G-36B] or PzKpfw 38(t)E-F [G-9B] may substitute for the PzKpfw IIIIG [G-10A].
- The PzKpfw 35(t) [G-36A] served only in the 6th Panzer Division's 65th Panzer Battalion.
- The older model PzKpfw IIIIF [G-38A] may substitute for the PzKpfw IIIIG [G-10A].
- The older model PzKpfw IIC [G-35B] may substitute for the PzKpfw IIF [G-9A].
- The older models PzKpfw IVD [G-39A] or PzKpfw IVE [G-11A] may substitute for the PzKpfw IVF1 [G-11B].
- The PzKpfw IIIJ [G-38B] began appearing in late-41 and may substitute for the PzKpfw IIIIG [G-10A].
- The PzKpfw IIIM [G-1A] began appearing in mid-42 and may substitute for the PzKpfw IIIIG [G-10A].
- The PzKpfw IIIN [G-10B] began appearing in mid-42 and may substitute for the PzKpfw IVF1 [G-11B].
- The PzKpfw IVF2 [G-12A] began appearing in early-42 and may substitute for the PzKpfw IVF1 [G-11B].
- The PzKpfw IVG [G-1B] began appearing in mid-42 and may substitute for the PzKpfw IVF1 [G-11B].



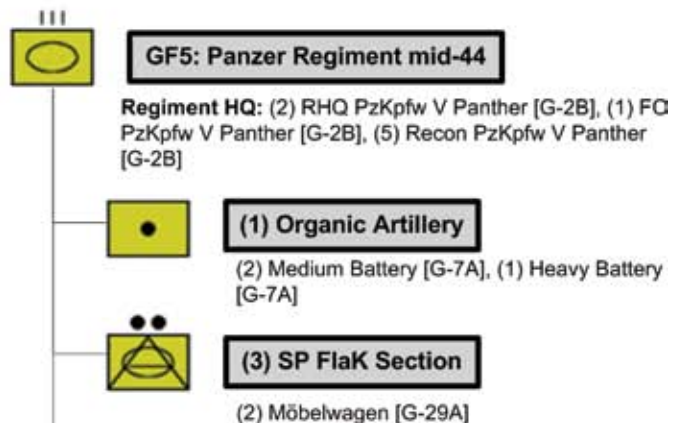
Notes:

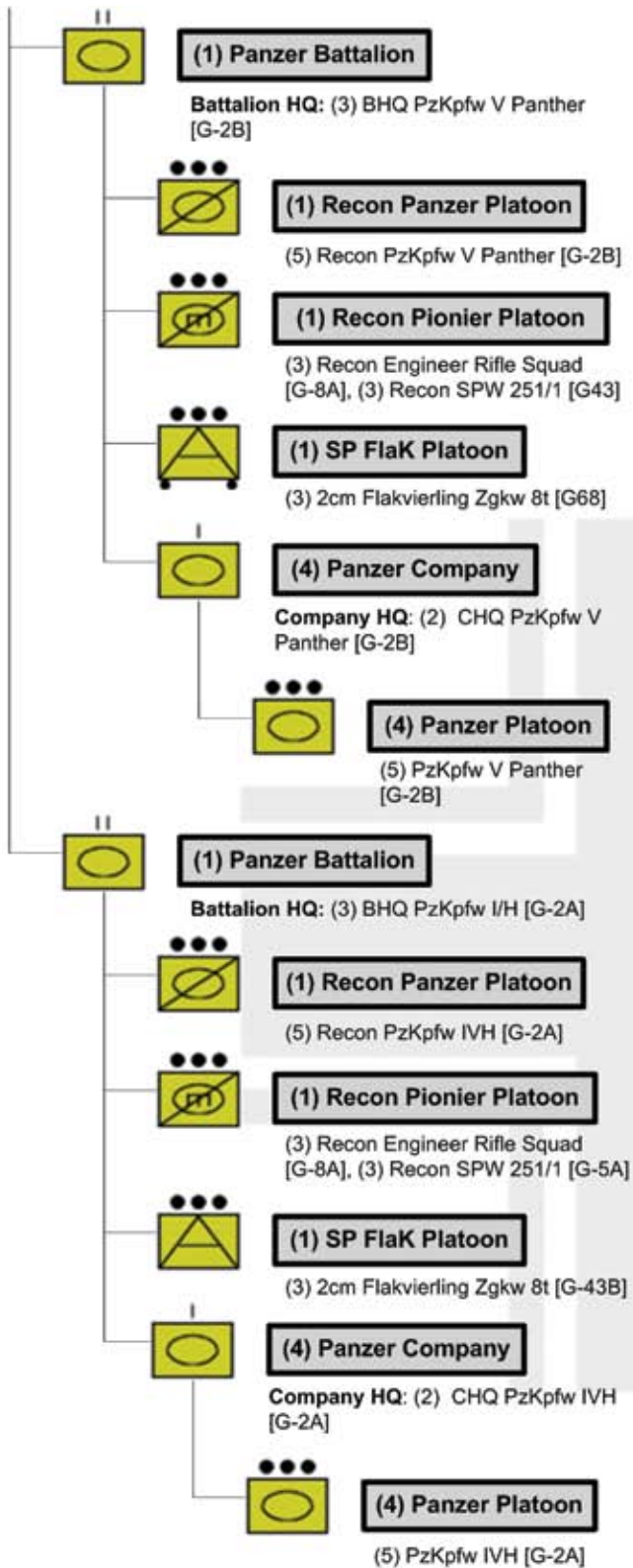
- Panzer divisions fielded one panzer regiment.
- Some panzer regiments fielded three panzer battalions.
- By mid-43, some panzer battalions fielded three medium and one light panzer companies.
- The older models PzKpfw IIIJ [G-38B] or PzKpfw IIIIG [G-10A] may substitute for the PzKpfw IIIIM [G-1A].
- The older models PzKpfw IVF2 [G-12A] or PzKpfw IVF1 [G-11B] may substitute for the PzKpfw IVG [G-1B].
- The PzKpfw III (FI) [G-21A] began appearing in mid-43 and may substitute for the PzKpfw IIIIM [G-1A].
- The PzKpfw IVH [G-2A] began appearing in mid-43 and may substitute for the PzKpfw IVG [G-1B].



Notes:

- Panzer divisions fielded one panzer regiment.
- Due to shortages, many panzer platoons were reduced to 4 tanks each.
- The older models PzKpfw IVG [G-1B] or PzKpfw IVF2 [G-12A] may substitute for the PzKpfw IVH [G-2A].
- The 2cm FlaK Zgkw 1t [G-29B] or 3.7cm FlaK Zgkw 5t [G-30A] may substitute for the 2cm Flakvierling Zgkw 8t [G-43.B].

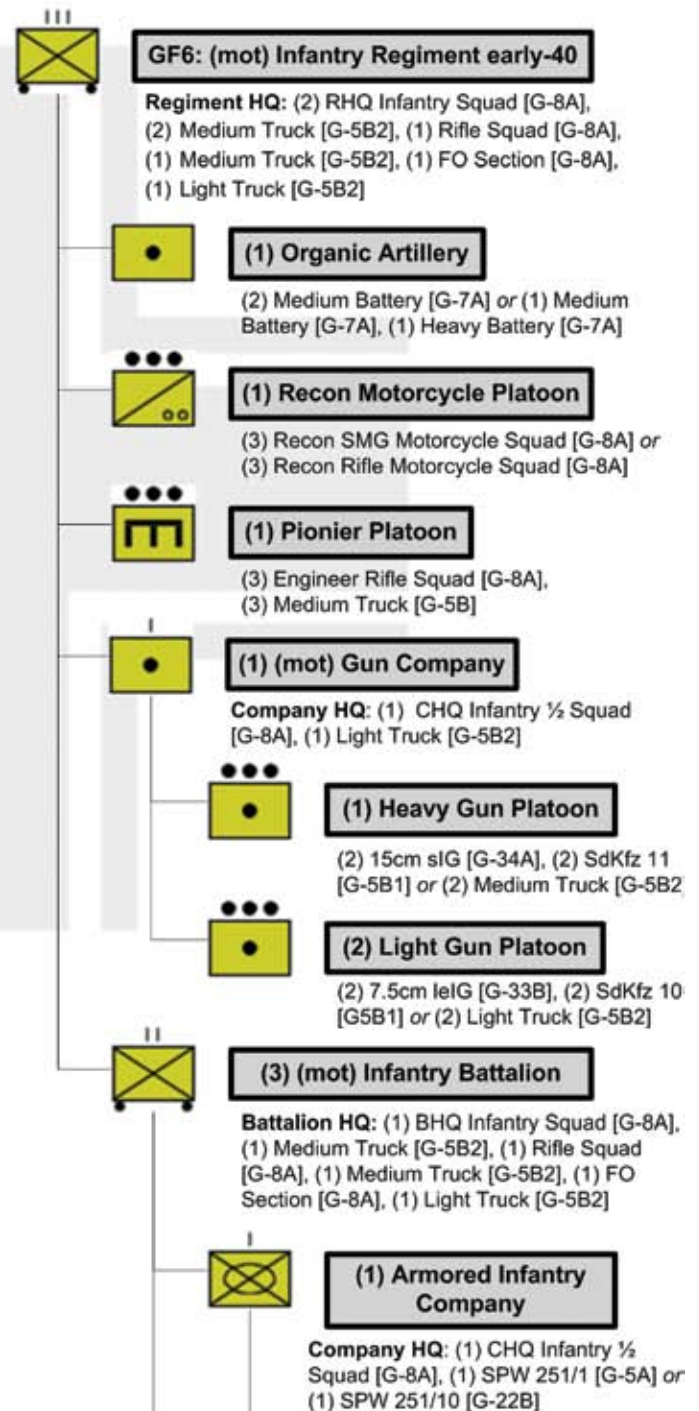


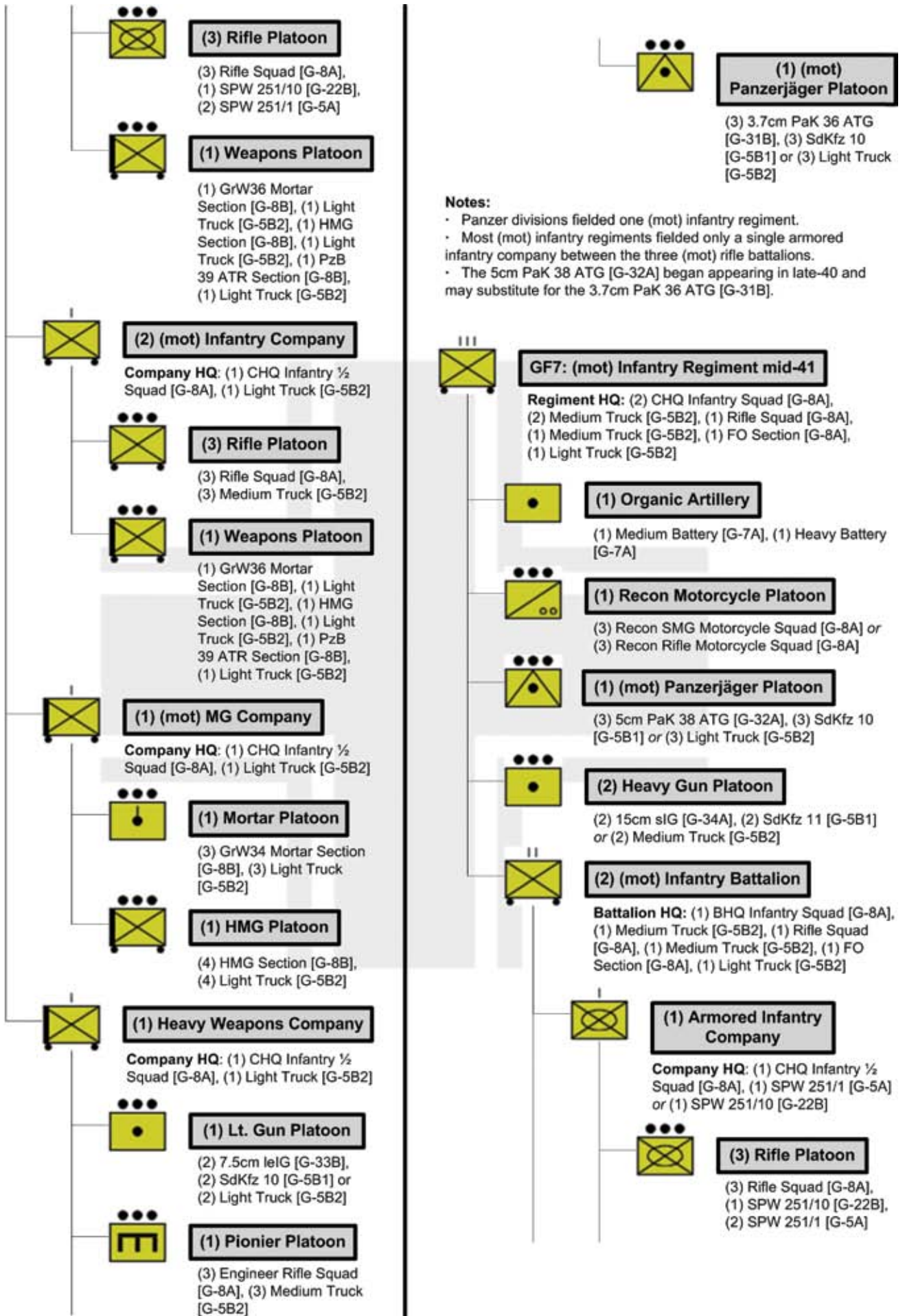
**Notes:**

- Panzer divisions fielded one panzer regiment.
- This TO&E denotes the panzer regiment formation (see variations below) for the remainder of the war.
- The PzKpfw IVJ [G-12B] may substitute for the PzKpfw IVH [G-2A].
- The older model PzKpfw IV/G [G17] may substitute for the PzKpfw IV/H [G18].
- The Wirbelwind [G63] may substitute for the 2cm Flakvierling Zgkw 8t [G68].
- The 2cm FlaK Zgkw 1t [G66], SPW 251/17 [G71] or Flakpanzer 38(t) [G70] may substitute for the 2cm Flakvierling Zgkw 8t [G68].

Notes, continued:

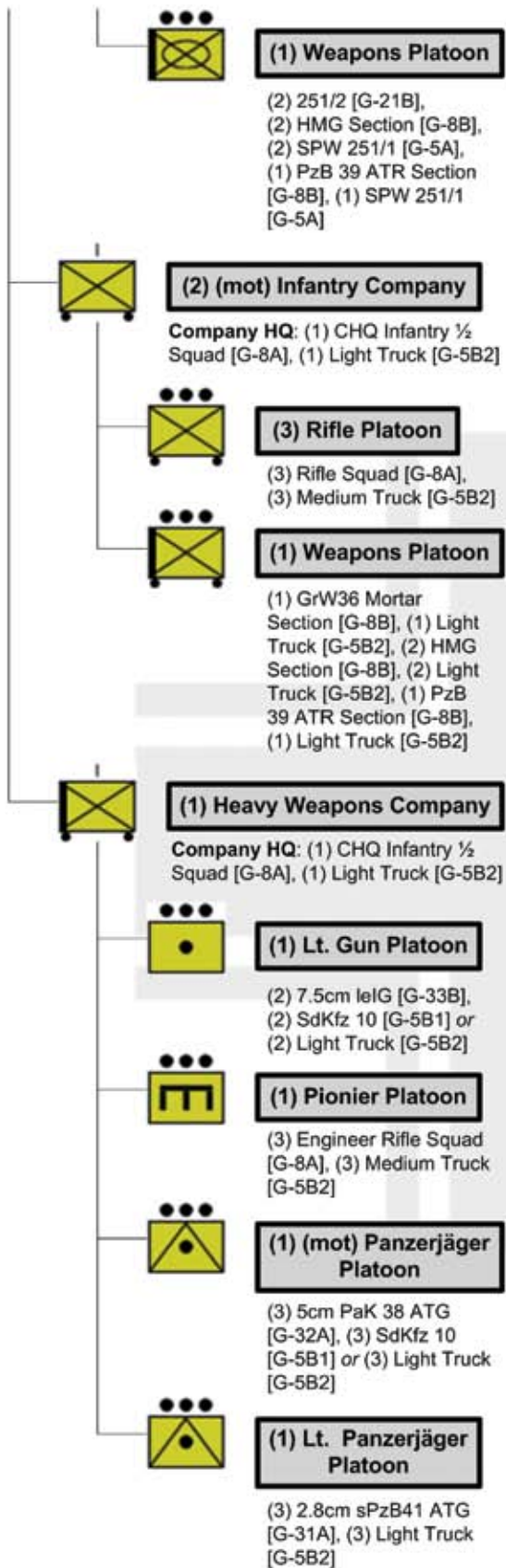
- The 3.7cm FlaK Zgkw 5t [G67] may substitute for the Möbelwagen [G65].
- The 3.7cm FlaK Zgkw 8t [G69] began appearing in late-44 and may substitute for the Möbelwagen [G65].
- The Ostwind [G64] began appearing in early-45 and may substitute for the Möbelwagen [G65].
- By mid-44, many panzer battalions were reduced to three panzer companies of three panzer platoons each for a total of 17 tanks per company.
- By late-44, most panzer platoons in the three panzer companies were reduced to 4 tanks each, further reducing the company total to 14 tanks.
- In the later stages of the war, panzer regiments fielded a single panzer battalion along with a panzergrenadier battalion in a mixed formation..
- In the closing stages of the war, the three panzer companies were finally reduced to three platoons of 3 tanks each, with a single company HQ tank for a total of 10 tanks.





Notes:

- Panzer divisions fielded one (mot) infantry regiment.
- Most (mot) infantry regiments fielded only a single armored infantry company between the three (mot) rifle battalions.
- The 5cm PaK 38 ATG [G-32A] began appearing in late-40 and may substitute for the 3.7cm PaK 36 ATG [G-31B].

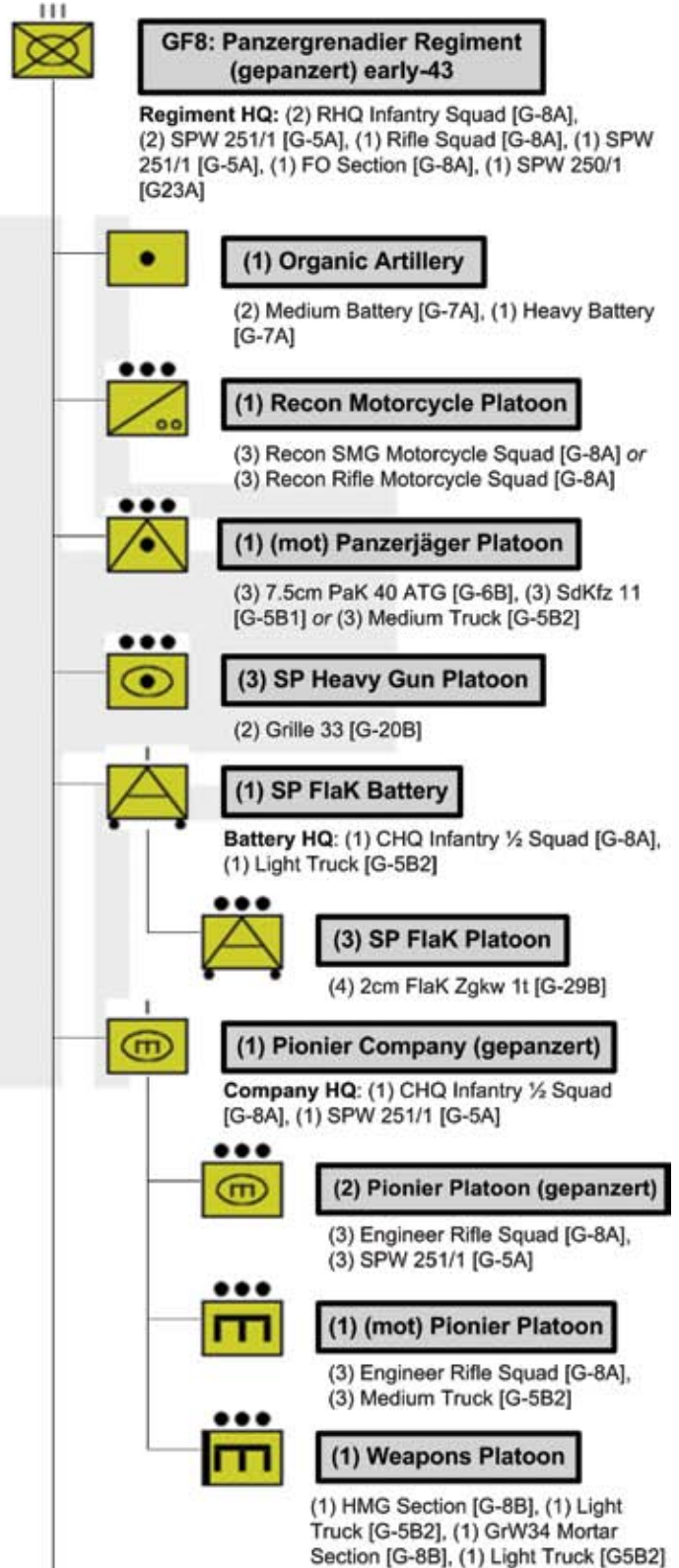


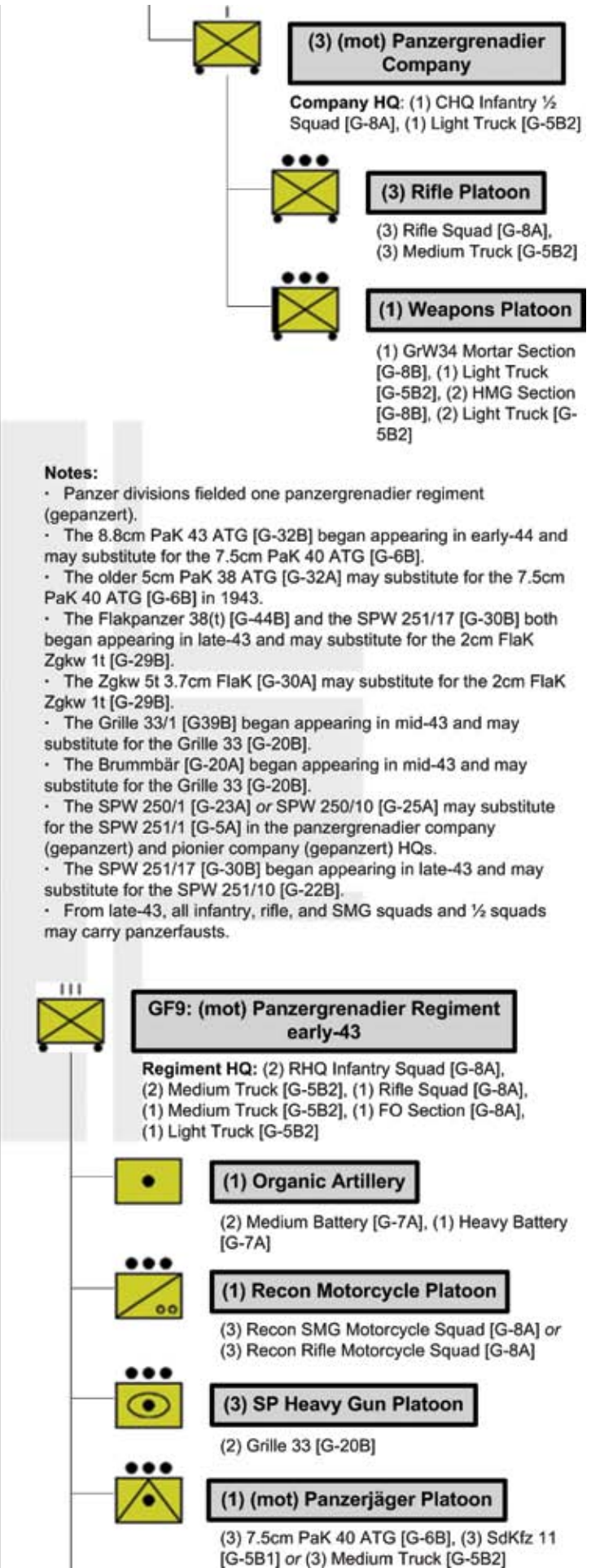
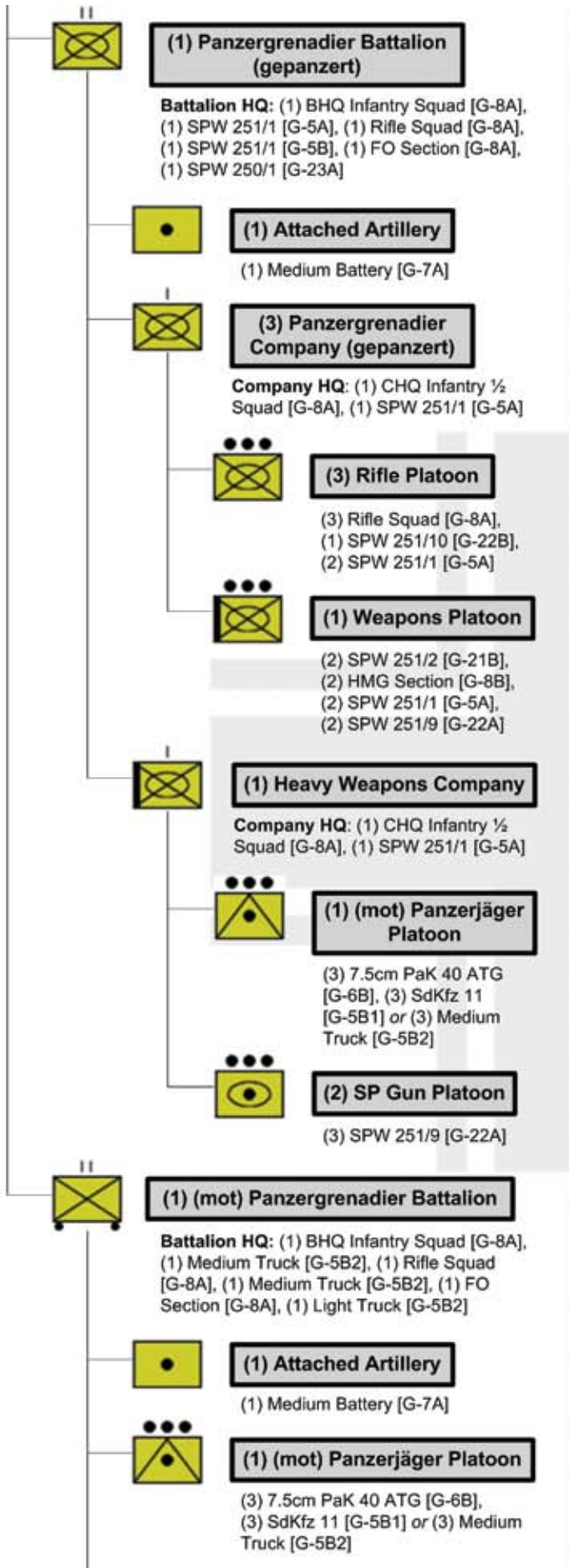
Notes:

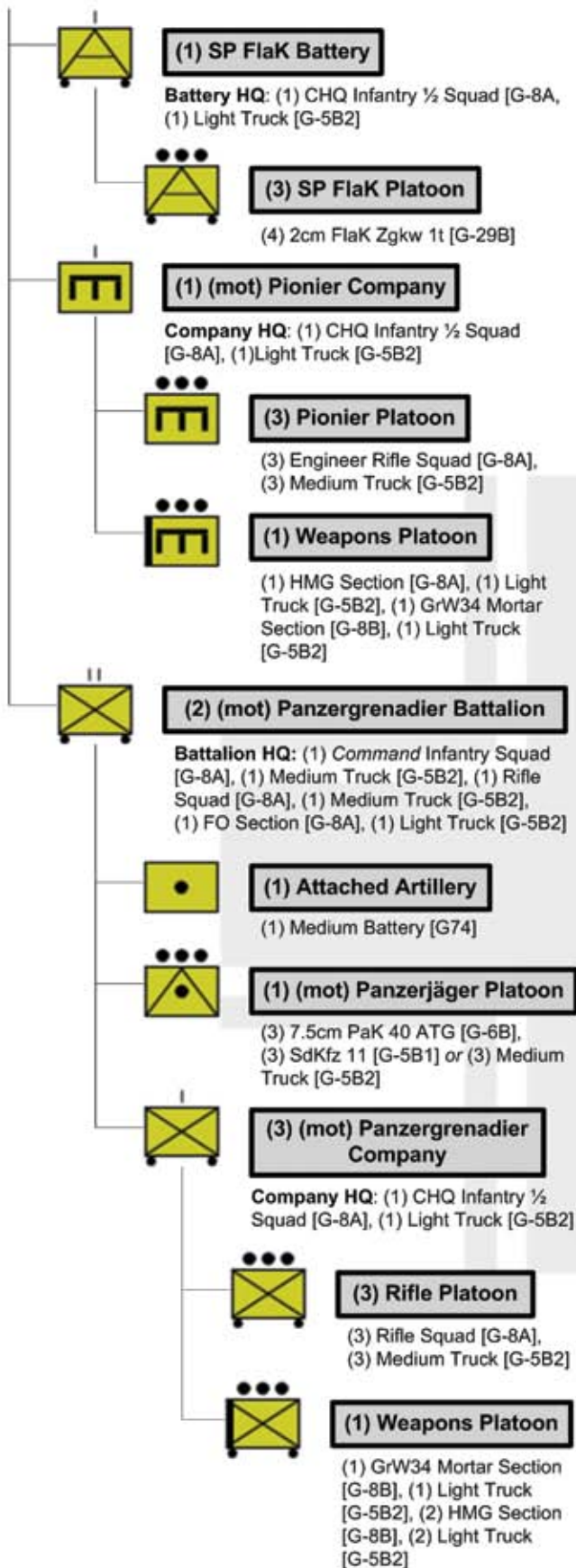
- Panzer divisions fielded two (mot) infantry regiments.
- The SPW 250/1 [G-23A] or SPW 250/10 [G-25A] may substitute for the SPW 251/1 [G-5A] in the armored infantry company HQ.
- The 7.5cm PaK 40 ATG [G-6B] began appearing in late-41 and may substitute (including transport) for the 5cm PaK 38 ATG [G-32A].

Notes, continued:

- The older 3.7cm PaK 36 ATG [G-31B] may substitute for the 5cm PaK 38 ATG [G-32A].
- Starting in 1942, the GrW34 [G-8B] began replacing the GrW36 [G-8B].
- By early-42, the PzB 39 ATR [G-8B] was removed from most formations.



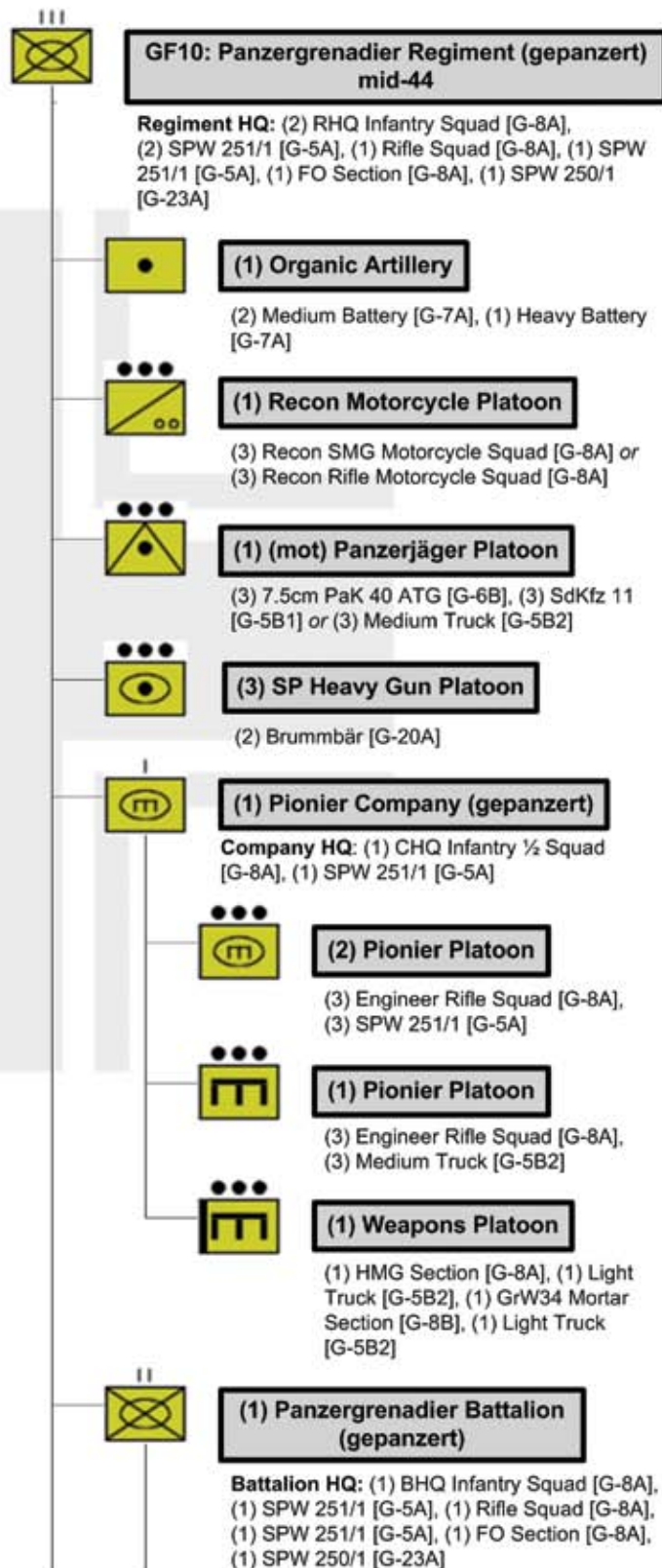


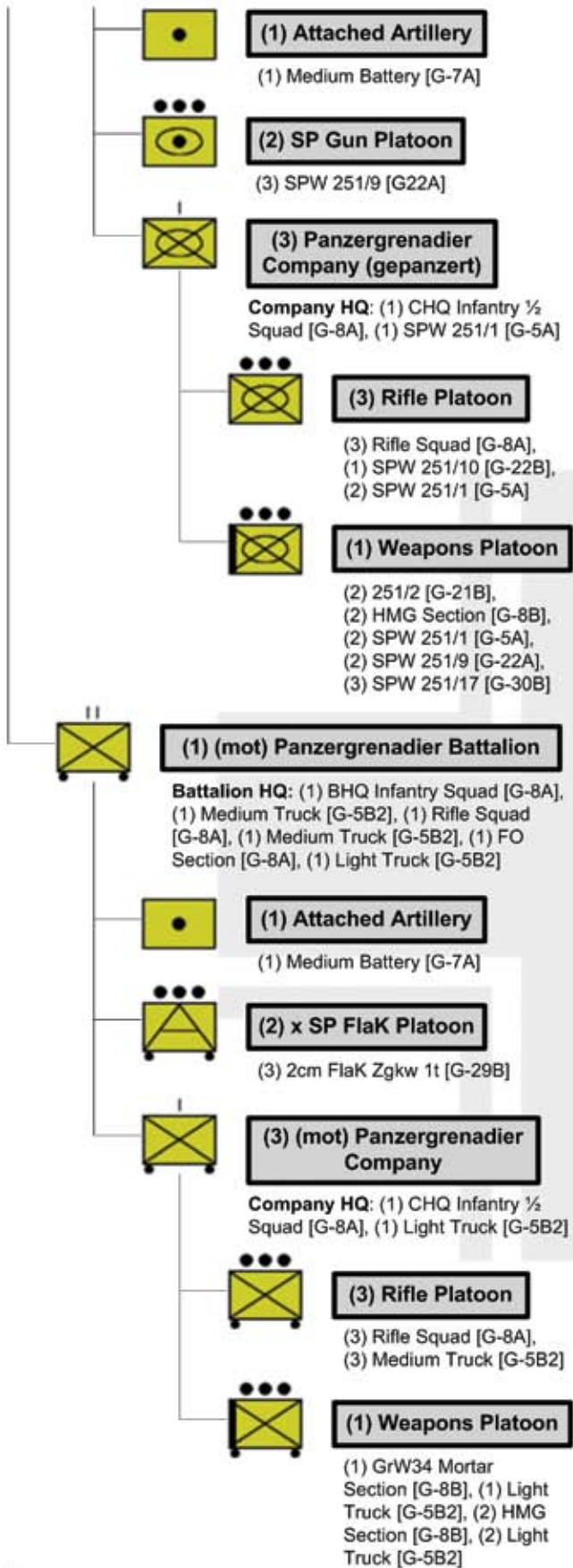
**Notes:**

- Panzer divisions fielded one (mot) panzergrenadier regiment.
- The 8.8cm PaK 43 ATG [G-32B] began appearing in early-44 and may substitute for the 7.5cm PaK 40 ATG [G-6B].
- The older 5cm PaK 38 ATG [G32A] may substitute for the 7.5cm PaK 40 ATG [G-6B] in 1943.

Notes, continued:

- The Flakpanzer 38(t) [G-44B] and the SPW 251/17 [G-30B] both began appearing in late-43 and may substitute for the 2cm FlaK Zgkw 1t [G-29B].
- The 3.7cm FlaK Zgkw 5t [G-30A] may substitute for the 2cm FlaK Zgkw 1t [G-29B].
- The Grille 33/1 [G-39B] began appearing in mid-43 and may substitute for the Grille 33 [G-20B].
- From late-43, all infantry, rifle, and SMG squads and ½ squads may carry panzerfausts.



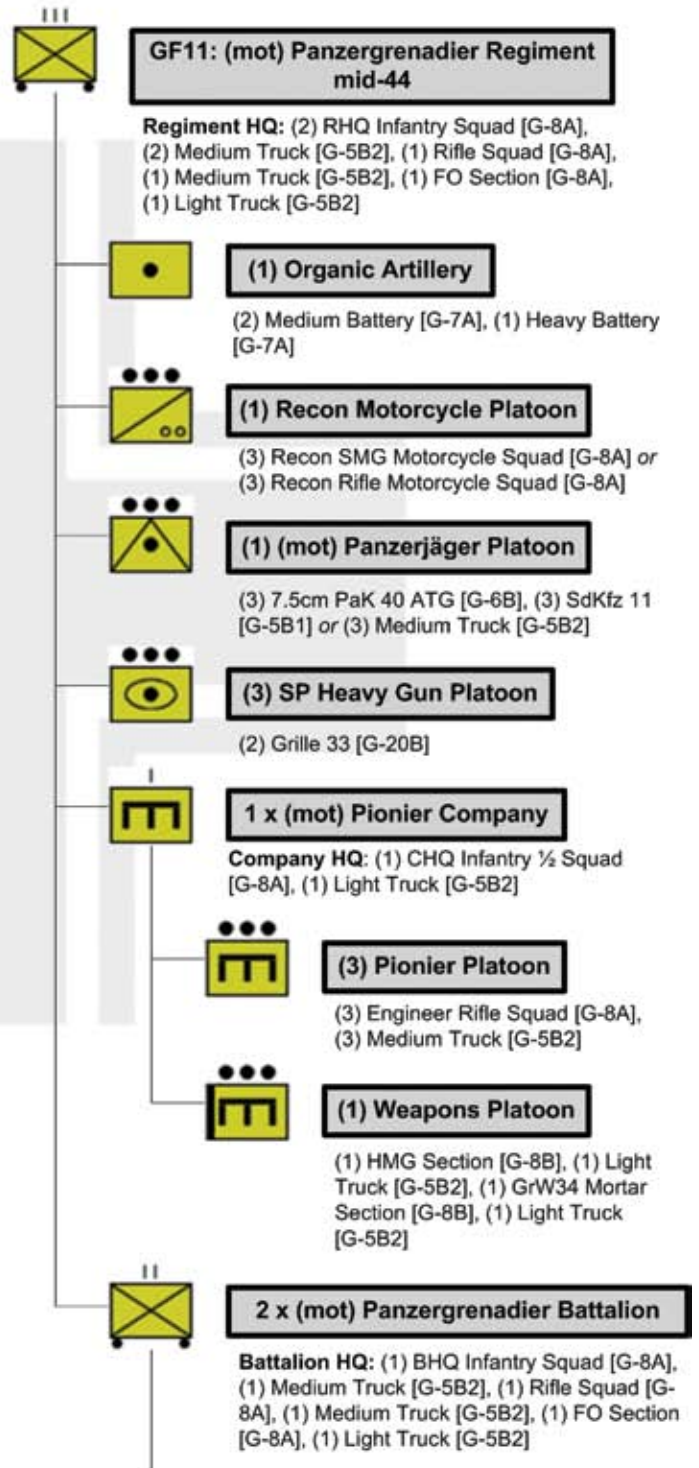


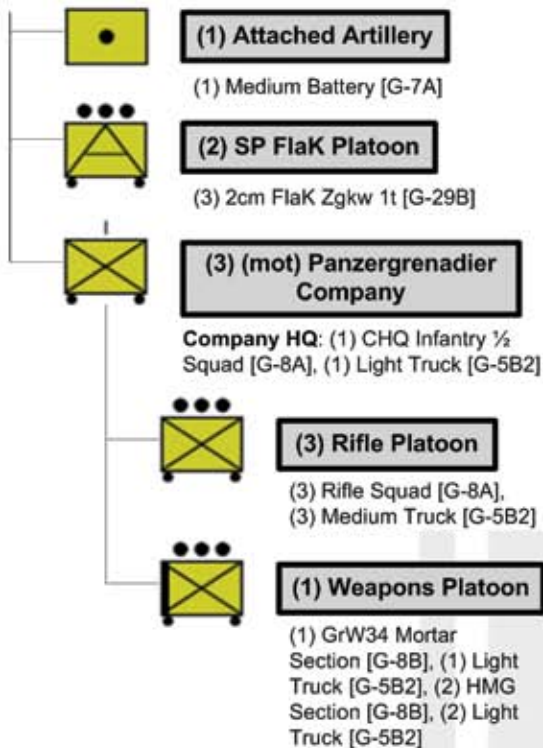
Notes:

- Panzer divisions fielded one panzergrenadier regiment (gepanzert).
- This TO&E denotes the panzergrenadier regiment (gepanzert) formation for the remainder of the war.
- The 8.8cm PaK 43 ATG [G-32B] may substitute for the 7.5cm PaK 40 ATG [G-6B].

Notes, continued:

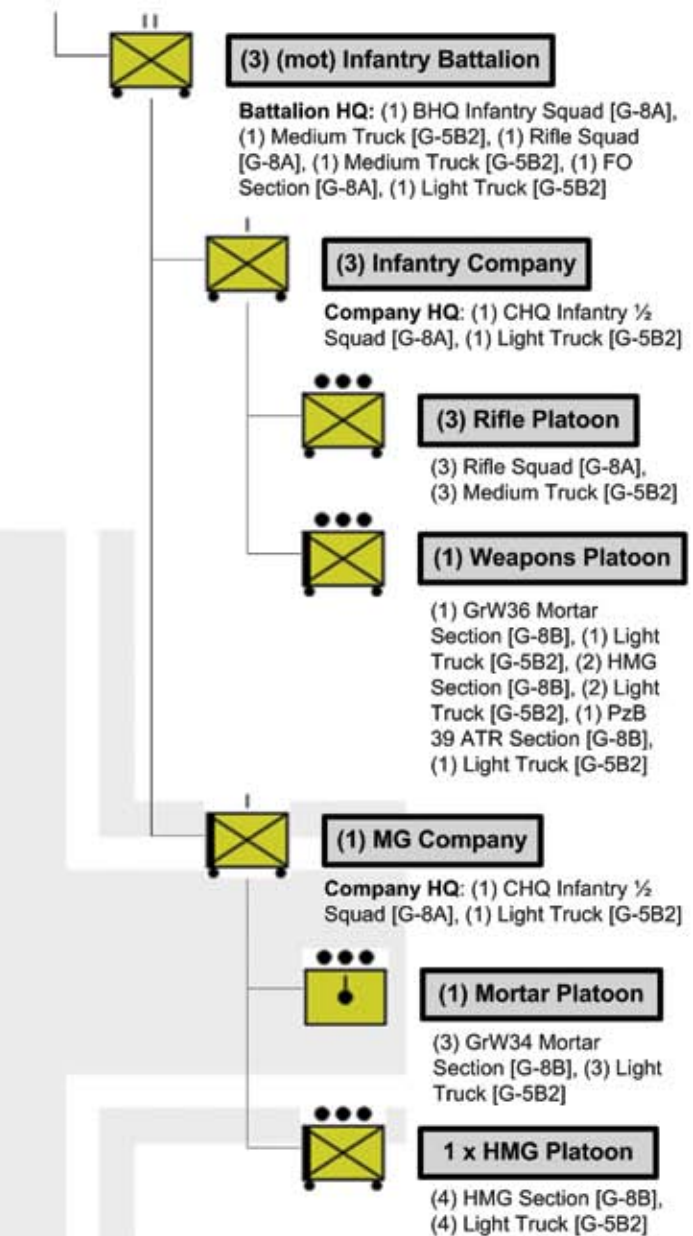
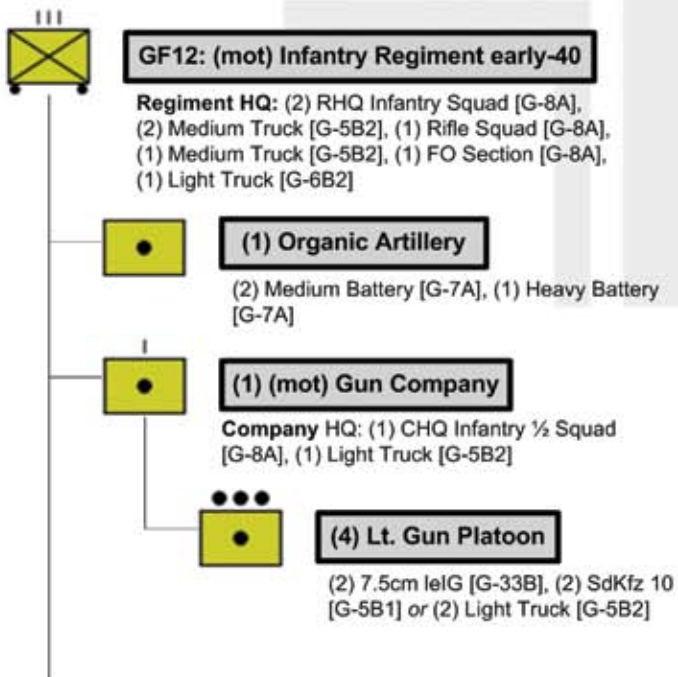
- The FlaKpanzer 38(t) [G-44B], SPW 251/17 [G71] or the 3.7cm FlaK Zgkw 5t [G-30A] may substitute for the 2cm FlaK Zgkw 1t [G-29B].
- The Grille 33 [G-39B] or Grille 33 [G-20B] may substitute for the Brummbär [G-20A].
- The SPW 250/1 [G-23A] or SPW 250/10 [G-25A] may substitute for the SPW 251/1 [G-5A] in the panzer grenadier company (gepanzert) and pionier company (gepanzert) HQs.
- The SPW 251/17 [G-30B] may substitute for the SPW 251/10 [G-22B].
- All infantry, rifle, and SMG squads and ½ squads may carry panzerfausts.





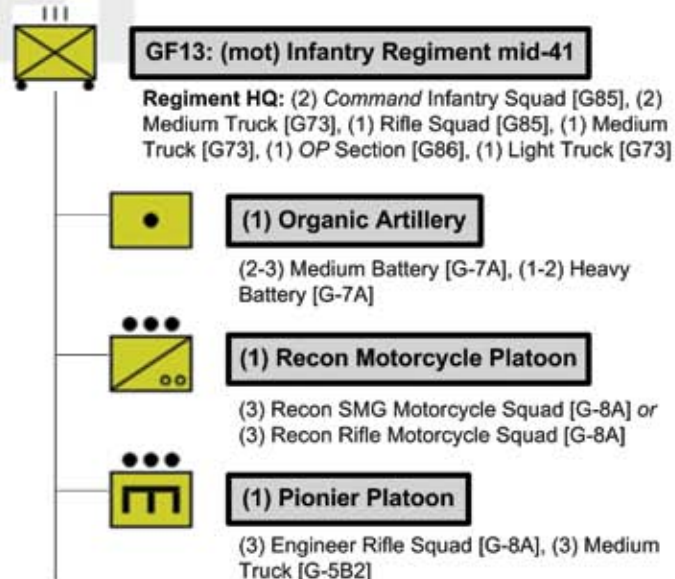
Notes:

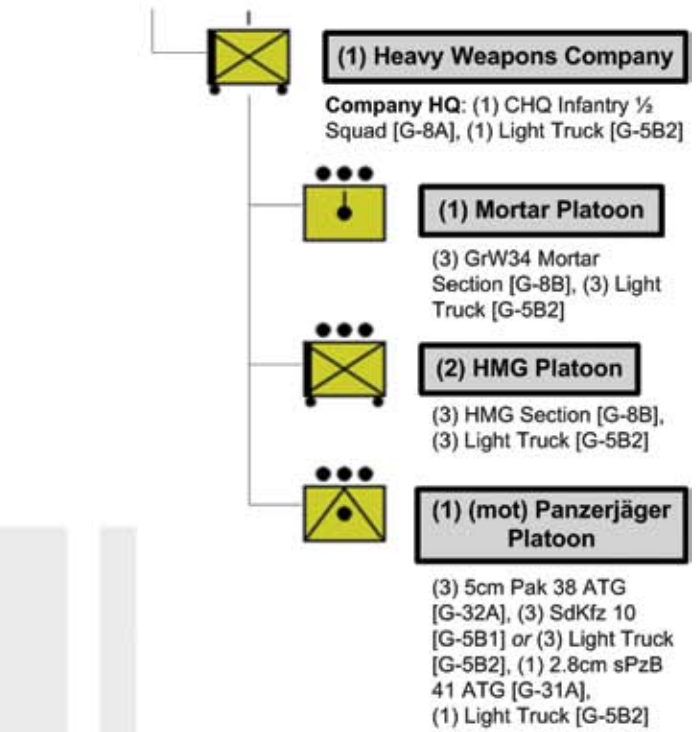
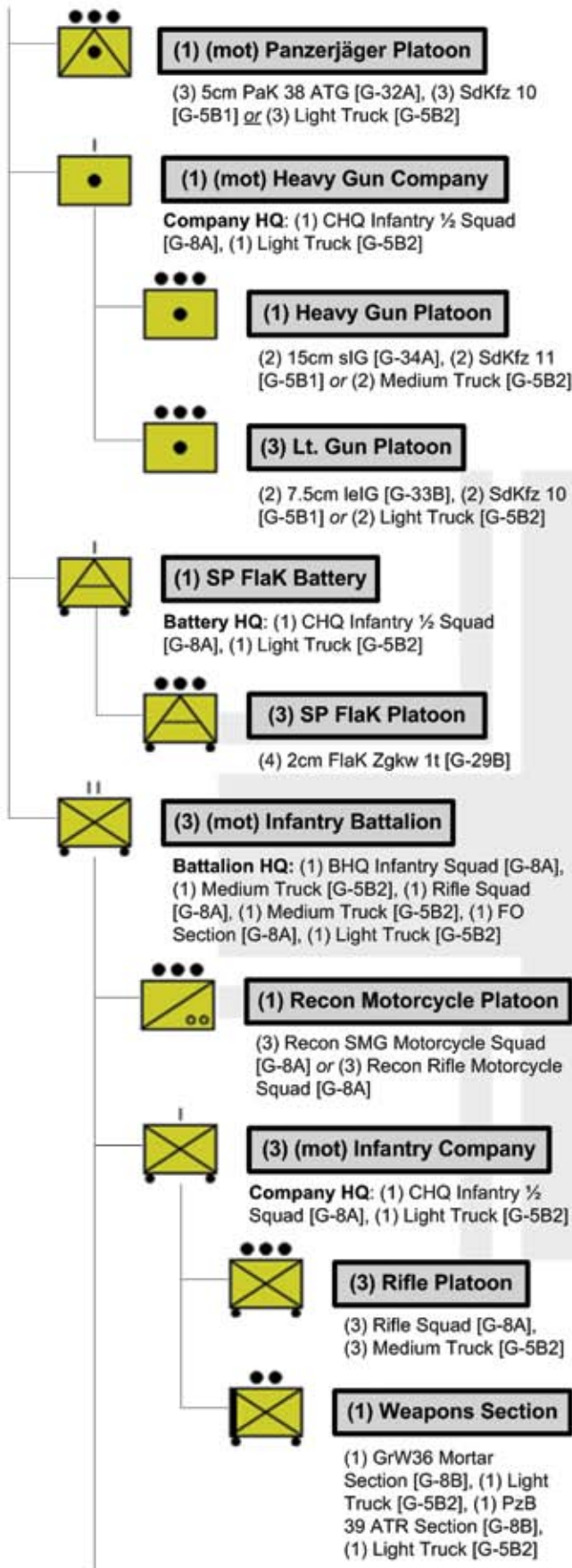
- Panzer divisions fielded one (mot) panzergrenadier regiment.
- This TO&E denotes the (mot) panzergrenadier regiment formation for the remainder of the war.
- The 8.8cm PaK 43 ATG [G-32B] may substitute for the 7.5cm PaK 40 ATG [G-6B].
- The Flakpanzer 38(t) [G-44B], SPW 251/17 [G-30-B] or the 3.7cm FlaK Zgkw 5t [G-30A] may substitute for the 2cm FlaK Zgkw 1t [G-29B].
- The Grille 33/1 [G-39B] may substitute for the Grille 33 [G20B].
- All infantry, rifle, and SMG squads and ½ squads may carry panzerfausts.



Notes:

- (mot) infantry divisions fielded two (mot) infantry regiments.

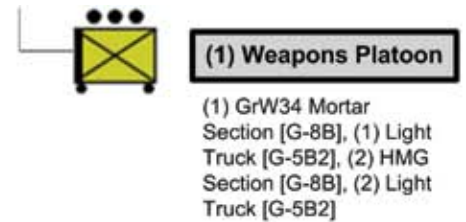
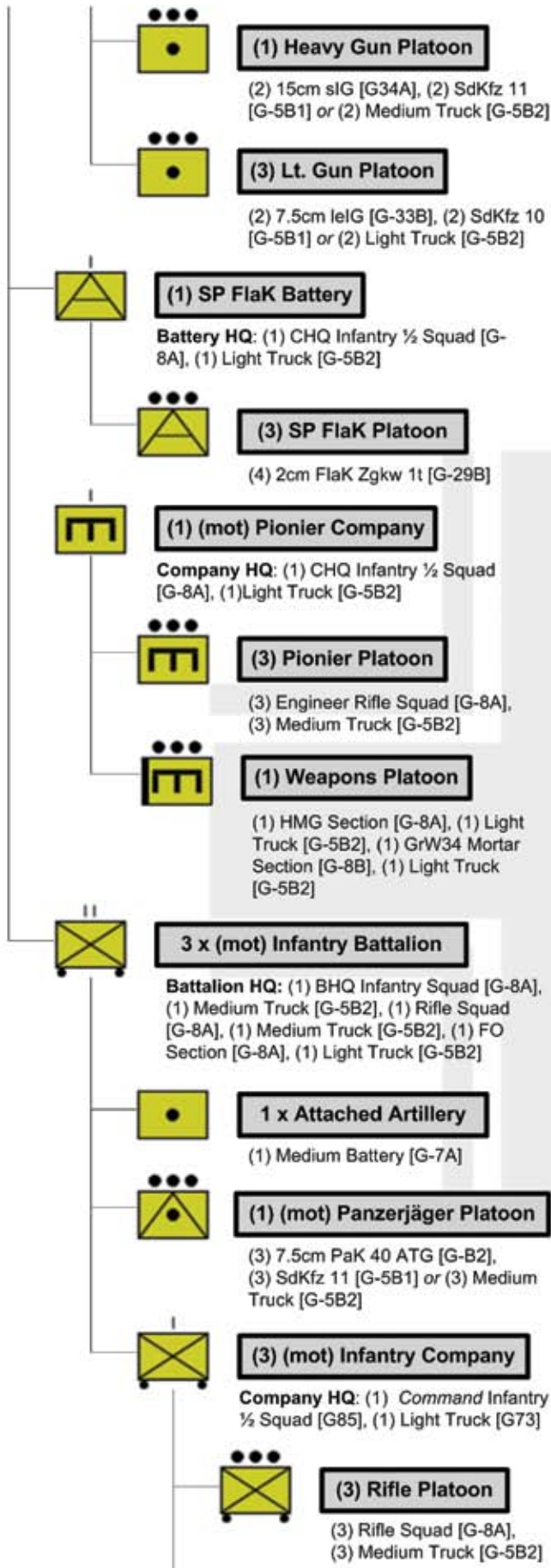




Notes:

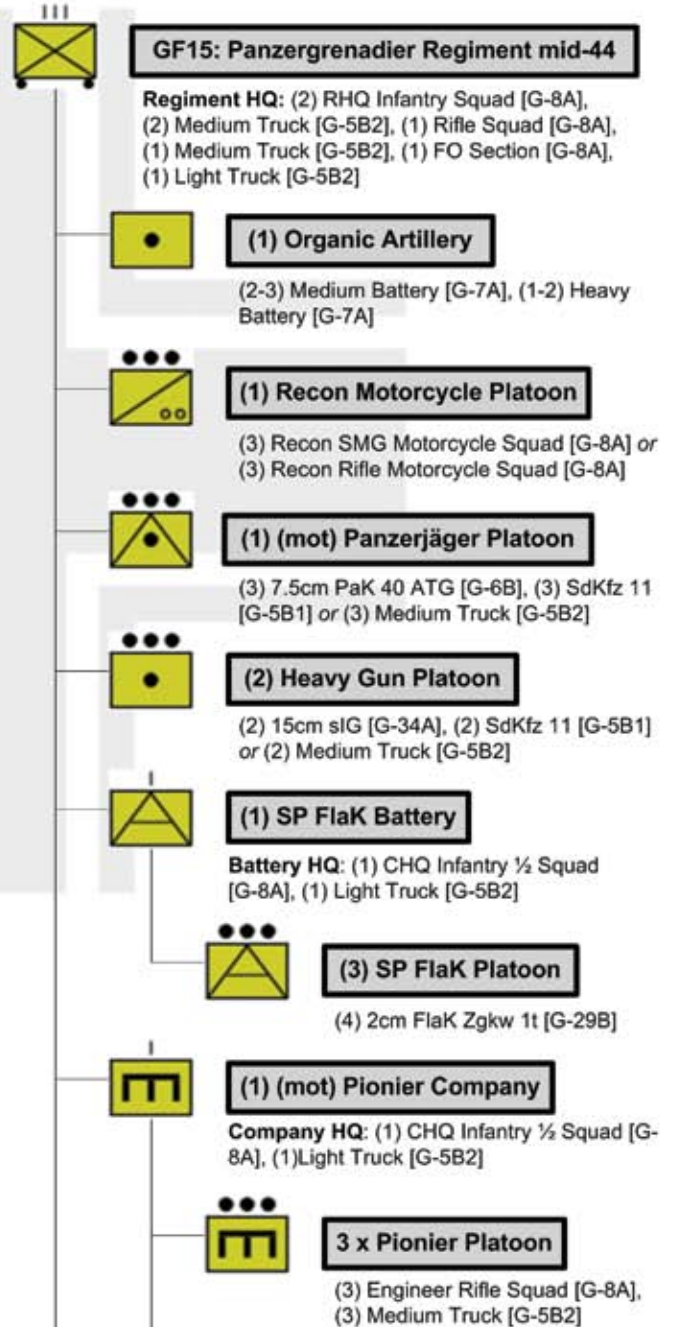
- (mot) infantry divisions fielded two (mot) infantry regiments.
- The 7.5cm PaK 40 ATG [G-6B] began appearing in late-41 and may substitute (including heavier transport) for the 5cm PaK 38 ATG [G-32A].
- The older 3.7cm PaK 36 ATG [G-31B] may substitute for the 5cm PaK 38 ATG [G-32A].
- The SP FlaK battery was only fielded by some (mot) infantry regiments starting in late-42.
- The 3.7cm FlaK Zgkw 5t [G-30A] may substitute for the 2cm FlaK Zgkw 1t [G-29B].
- Starting in 1942, the GrW34 Mortar Section [G-8B] began replacing the GrW36 Mortar Section [G-8B].
- By early-42, the PzB 39 ATR [G-8B] was removed from most formations.

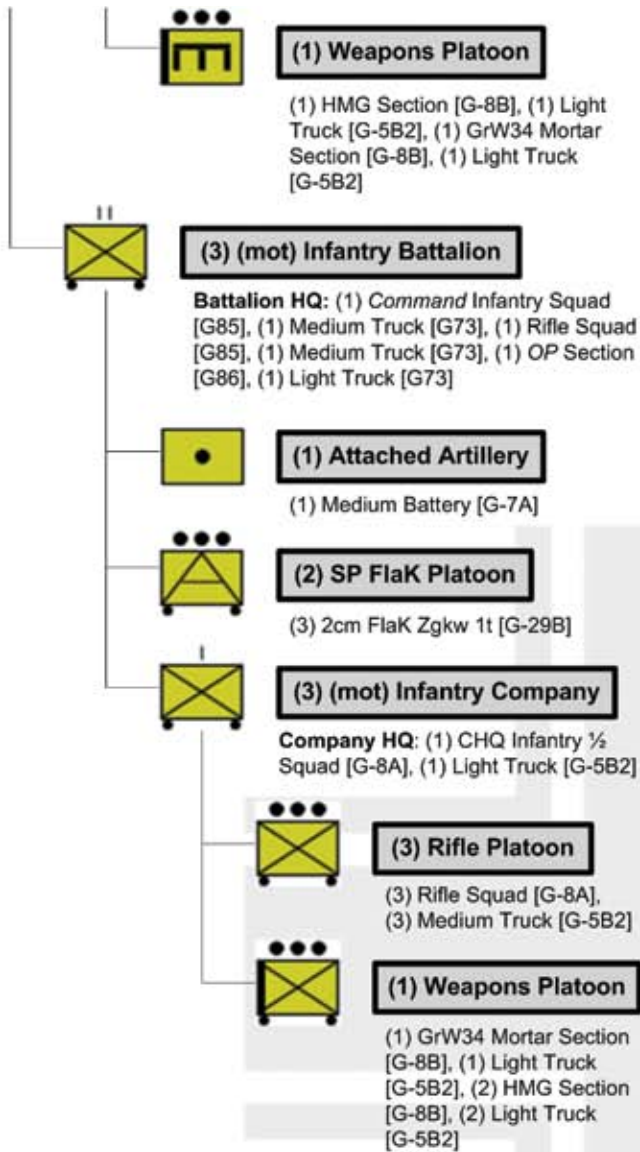




Notes:

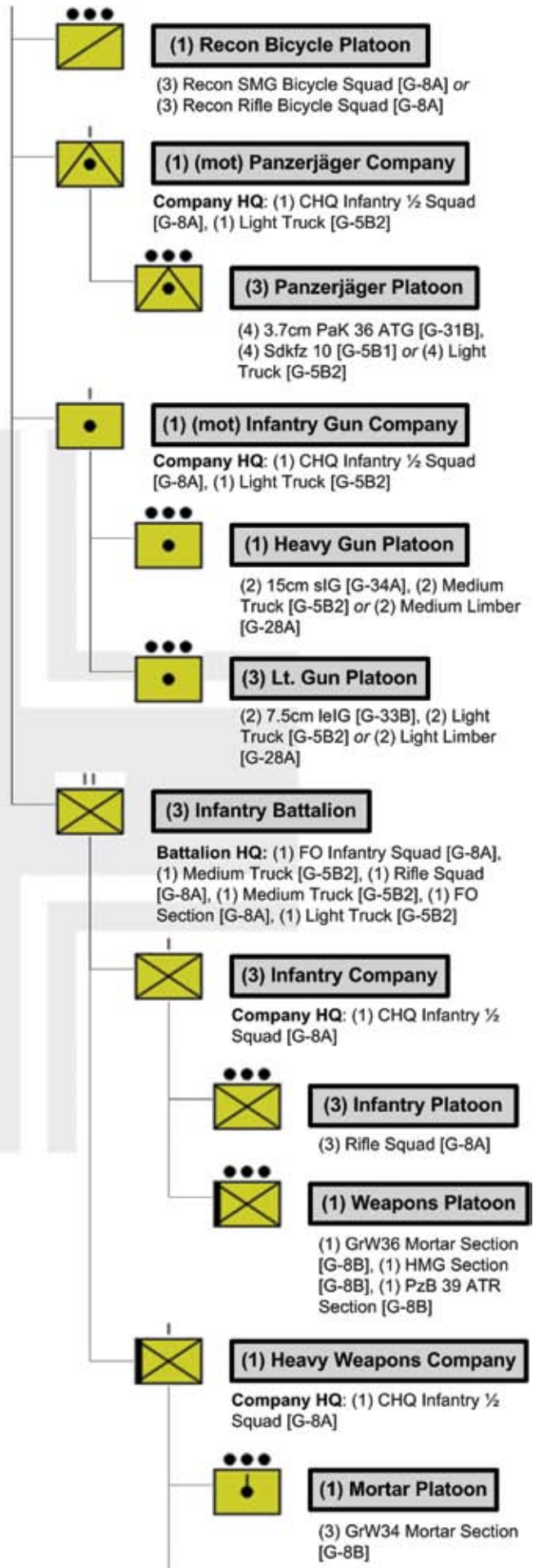
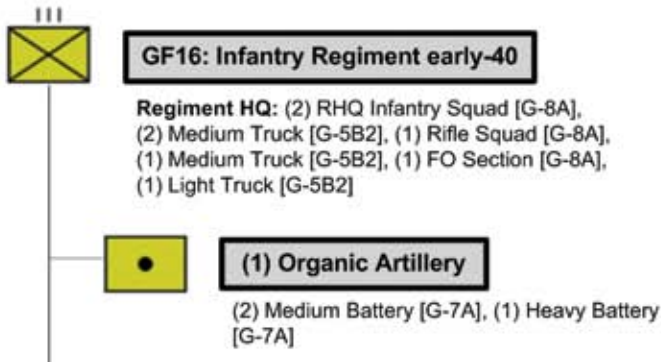
- Panzergrenadier divisions fielded two panzergrenadier regiments.
- The older 5cm PaK 38 ATG [G-32A] may substitute for the 7.5cm PaK 40 ATG [G-5B].
- The 3.7cm FlaK Zgkw 5t [G-30A] may substitute for the 2cm FlaK Zgkw 1t [G-29B].
- All infantry, rifle, and SMG squads and ½ squads may carry panzerfausts.

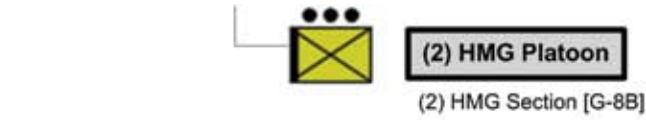




Notes:

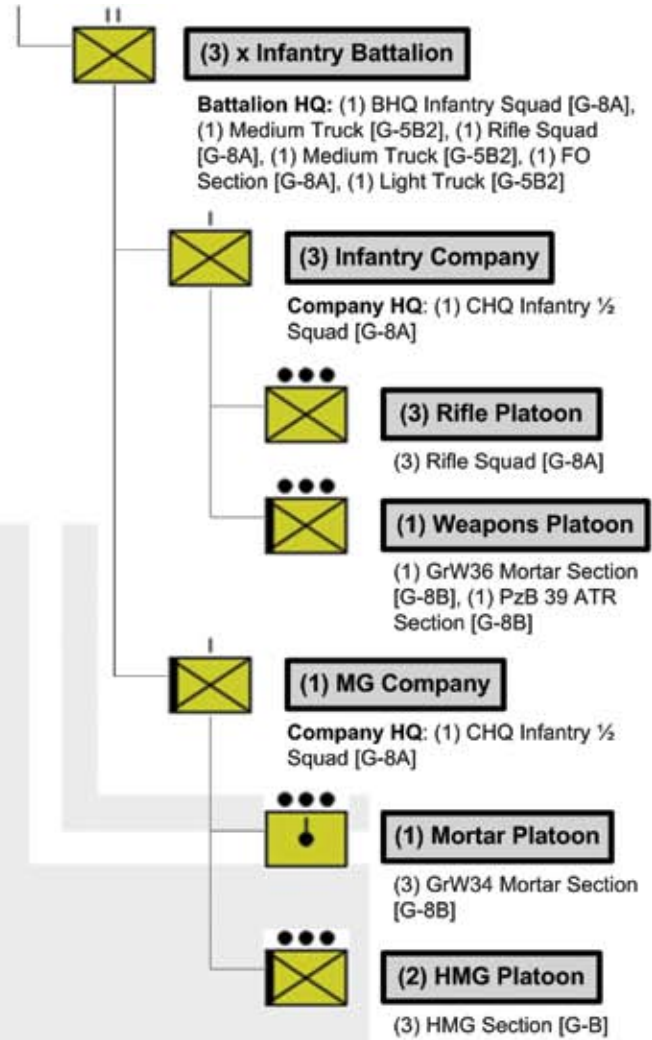
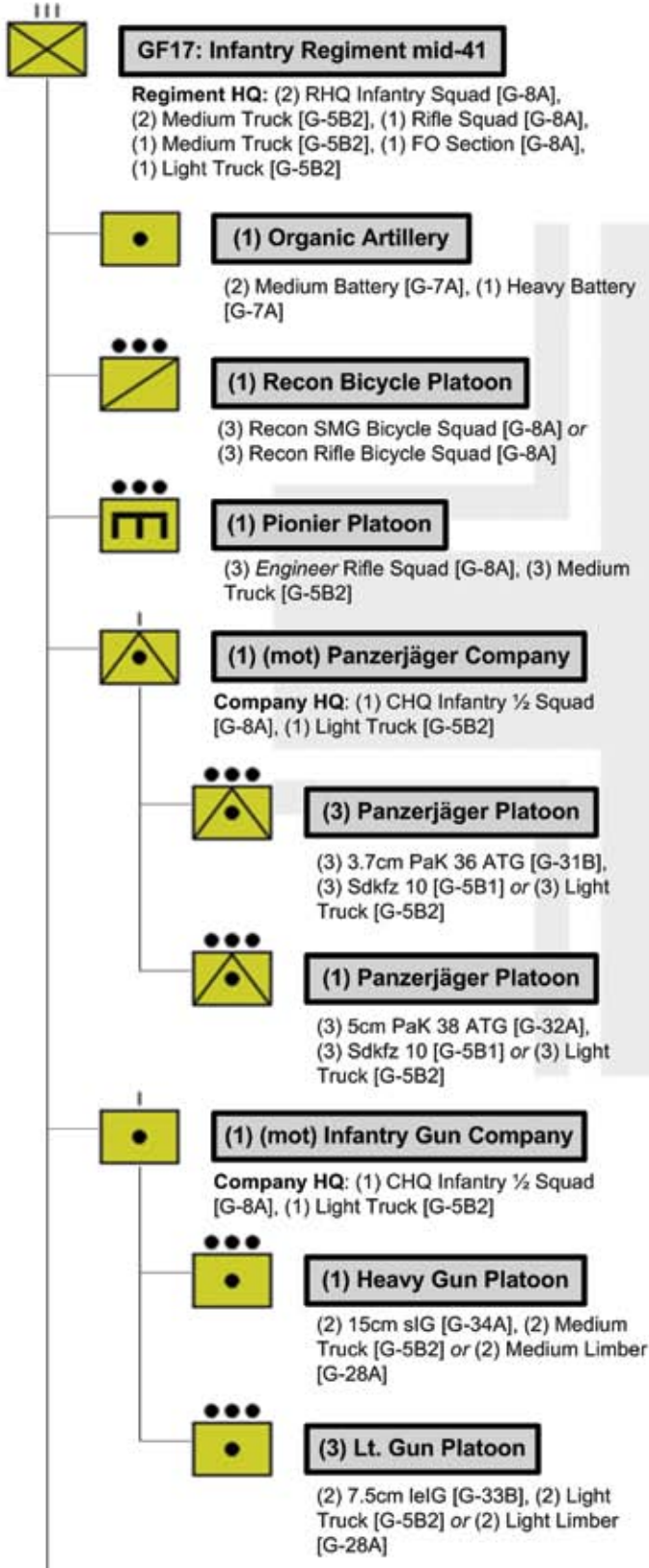
- Panzergrenadier divisions fielded two panzergrenadier regiments.
- This TO&E denotes the panzergrenadier regiment formation for the remainder of the war.
- The 8.8cm PaK 43 ATG [G-32B] may substitute for the 7.5cm PaK 40 ATG [G-6B].
- The Flakpanzer 38(t) [G-44B], SPW 251/17 [G-30B] or the 3.7cm FlaK Zgkw 5t [G-30A] may substitute for the 2cm FlaK Zgkw 1t [G-29B].
- All infantry, rifle, and SMG squads and ½ squads may carry panzerfausts.





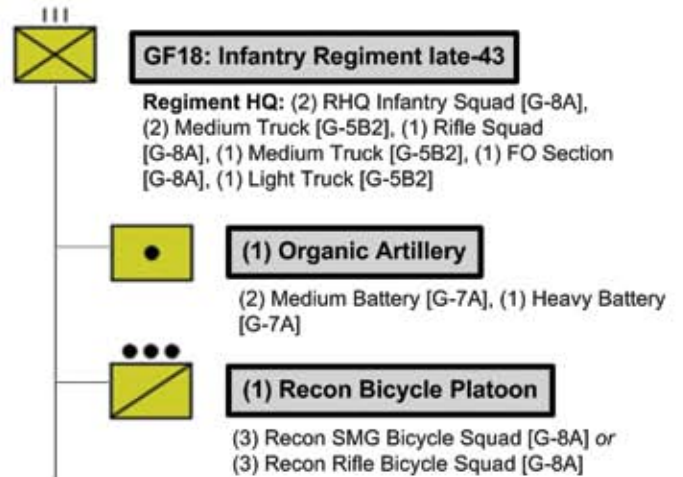
Notes:

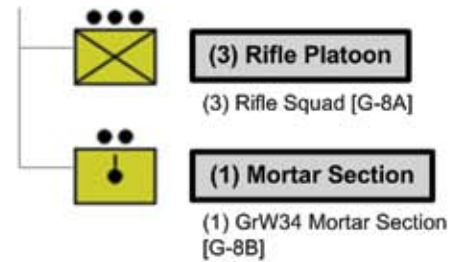
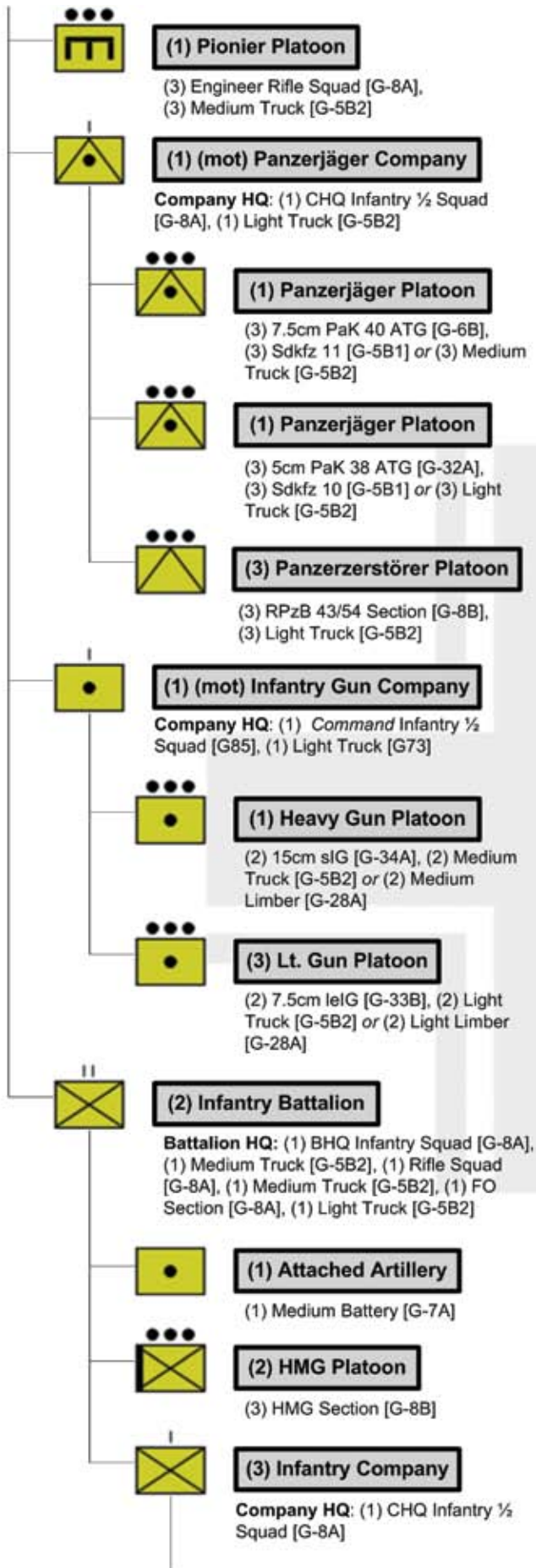
- Infantry divisions fielded three infantry regiments.
- The 5cm PaK 38 ATG [G-32A] began appearing in late-40 and may substitute for the 3.7cm PaK 36 ATG [G-31B].



Notes:

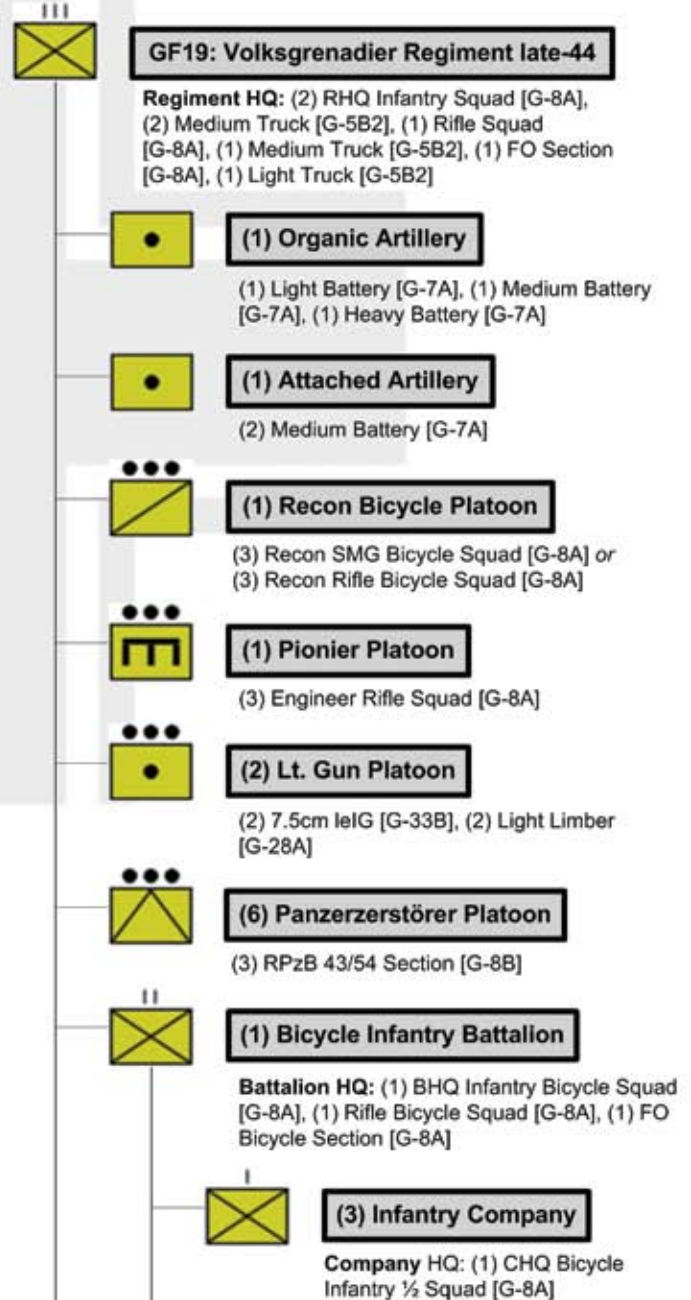
- Infantry divisions fielded three infantry regiments.
- The 7.5cm PaK 40 ATG [G-6B] began appearing in late-41 and may substitute (including heavier transport) for the 5cm PaK 38 ATG [G-32A] or 3.7cm PaK 36 [G-31B].
- The 2.8cm sPzB41 ATG [G-31A] may substitute for the 5cm PaK 38 ATG [G-32A].
- The older 3.7cm PaK 36 ATG [G-31B] may substitute for the 5cm PaK 38 ATG [G-32A].
- Starting in 1942, the GrW34 Mortar Section [G-8B] began replacing the GrW36 Mortar Section [G-8B].
- By mid-42, most infantry regiments were reduced to two infantry battalions.

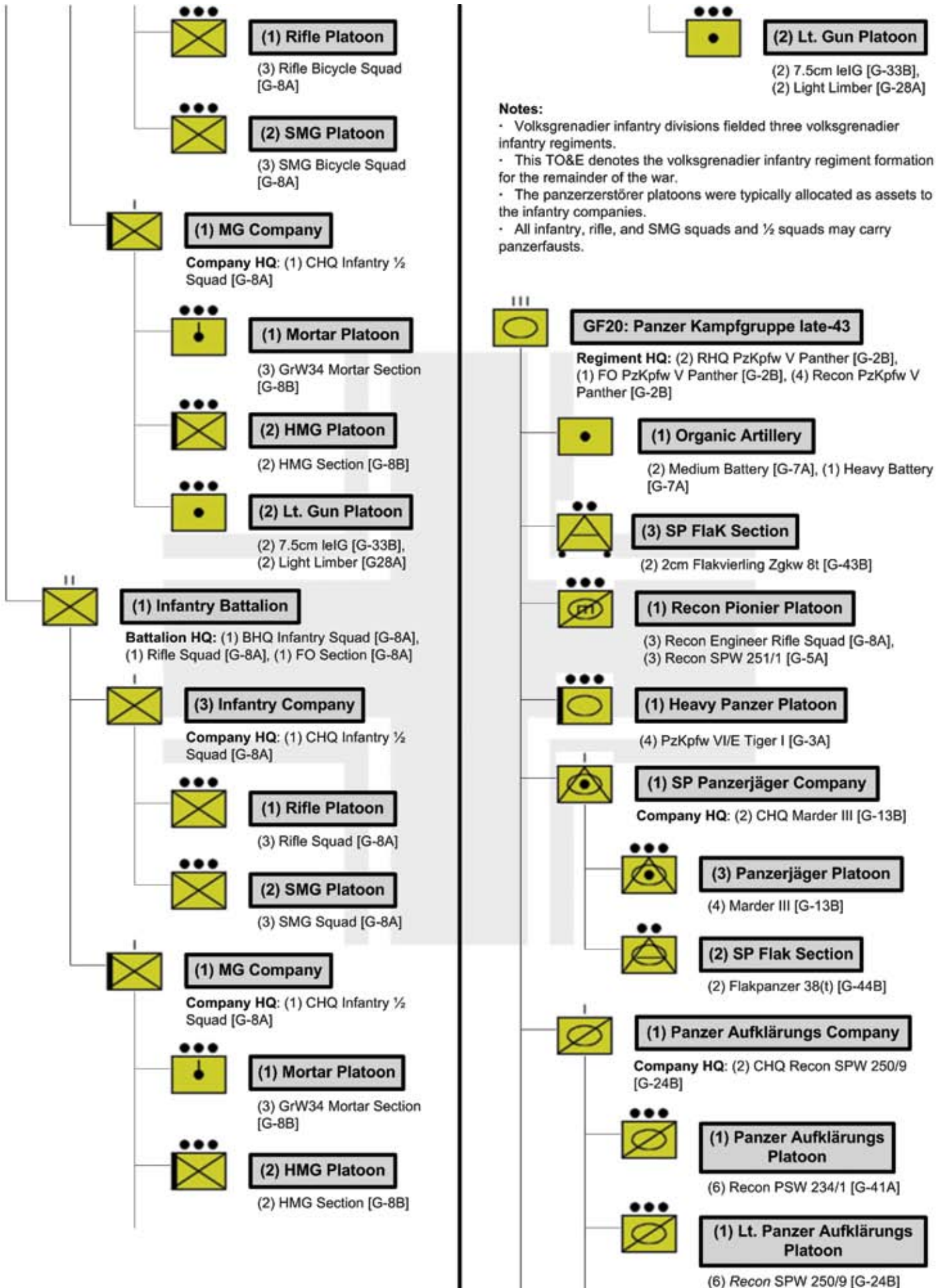




Notes:

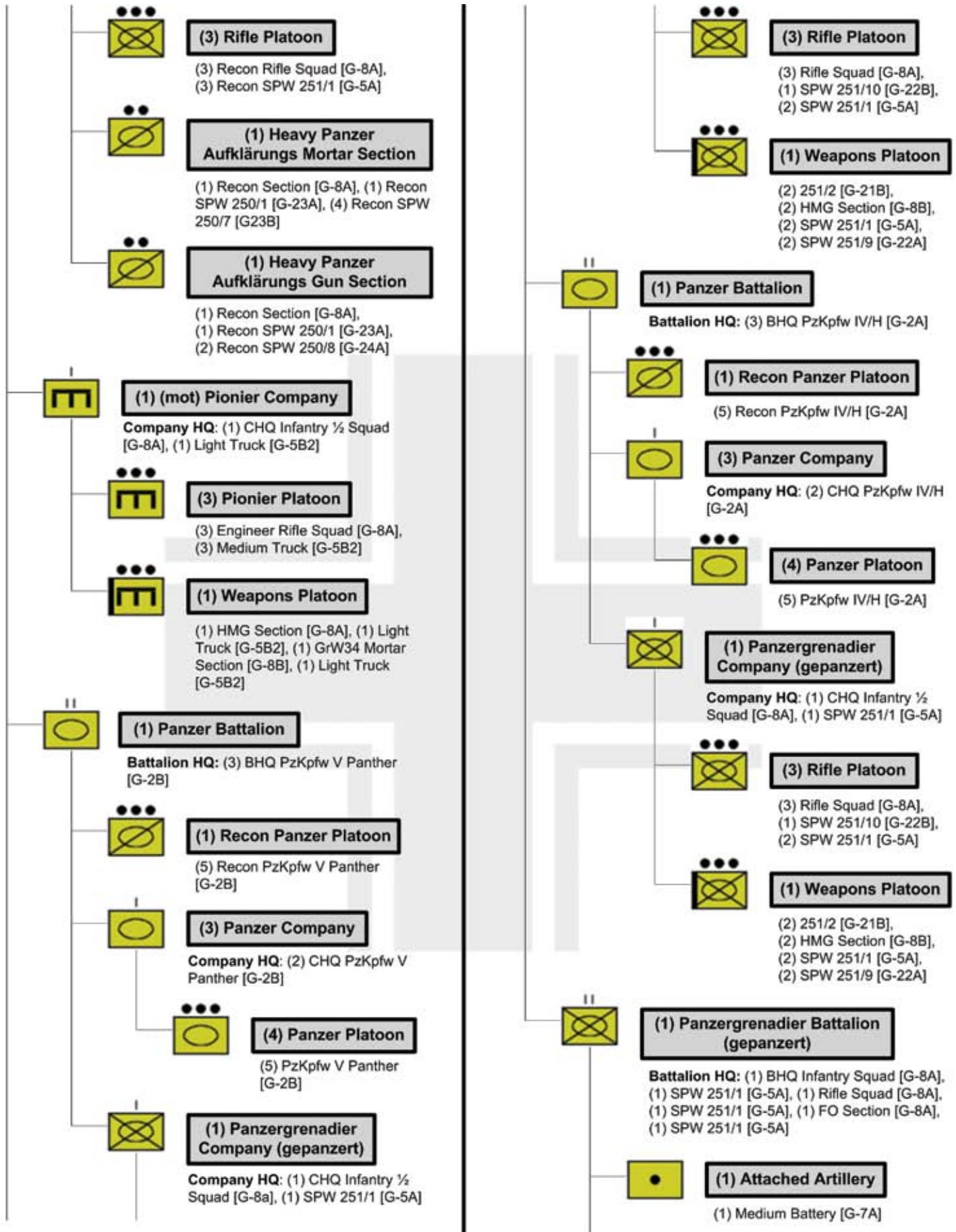
- Infantry divisions fielded three infantry regiments.
- This TO&E denotes the infantry regiment formation for the remainder of the war.
- The 8.8cm PaK 43 ATG [G-32B] began appearing in early-44 and may substitute for the 7.5cm PaK 40 ATG [G-6B].
- The older 5cm PaK 38 ATG [G-32A] may substitute for the 7.5cm PaK 40 ATG [G-6B].
- The panzerzerstörer platoons were typically allocated as assets to the infantry companies.
- All infantry, rifle, and SMG squads and ½ squads may carry panzerfausts.

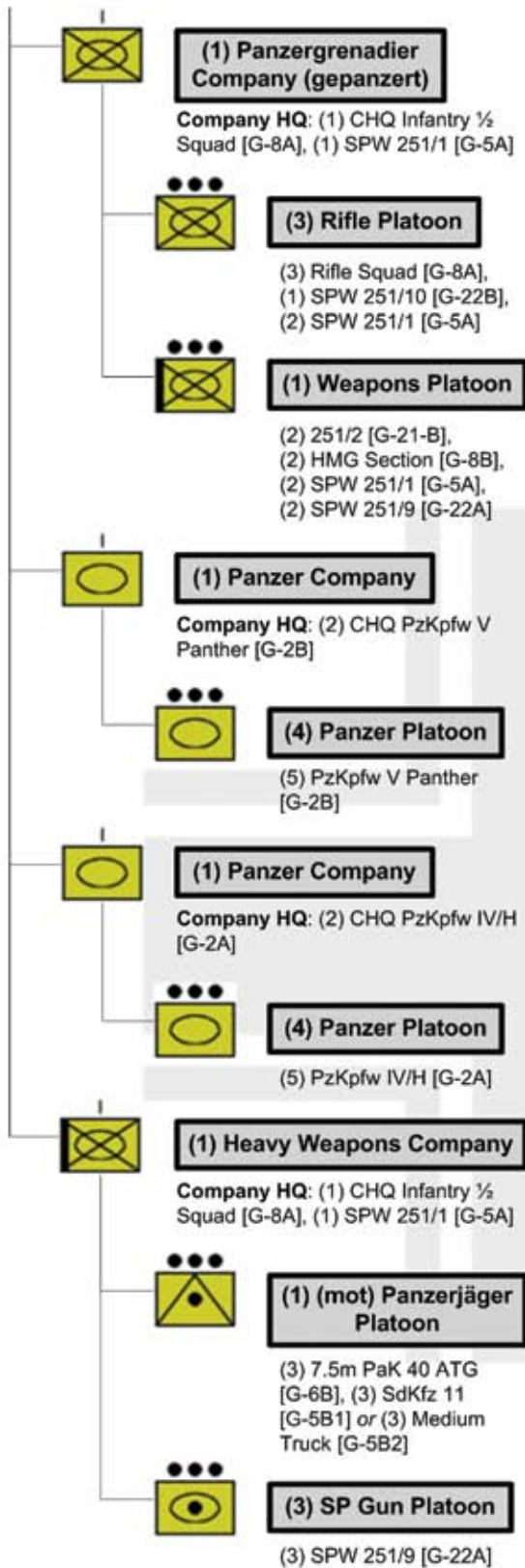




Notes:

- Volksgrenadier infantry divisions fielded three volksgrenadier infantry regiments.
- This TO&E denotes the volksgrenadier infantry regiment formation for the remainder of the war.
- The panzerzerstörer platoons were typically allocated as assets to the infantry companies.
- All infantry, rifle, and SMG squads and ½ squads may carry panzerfausts.

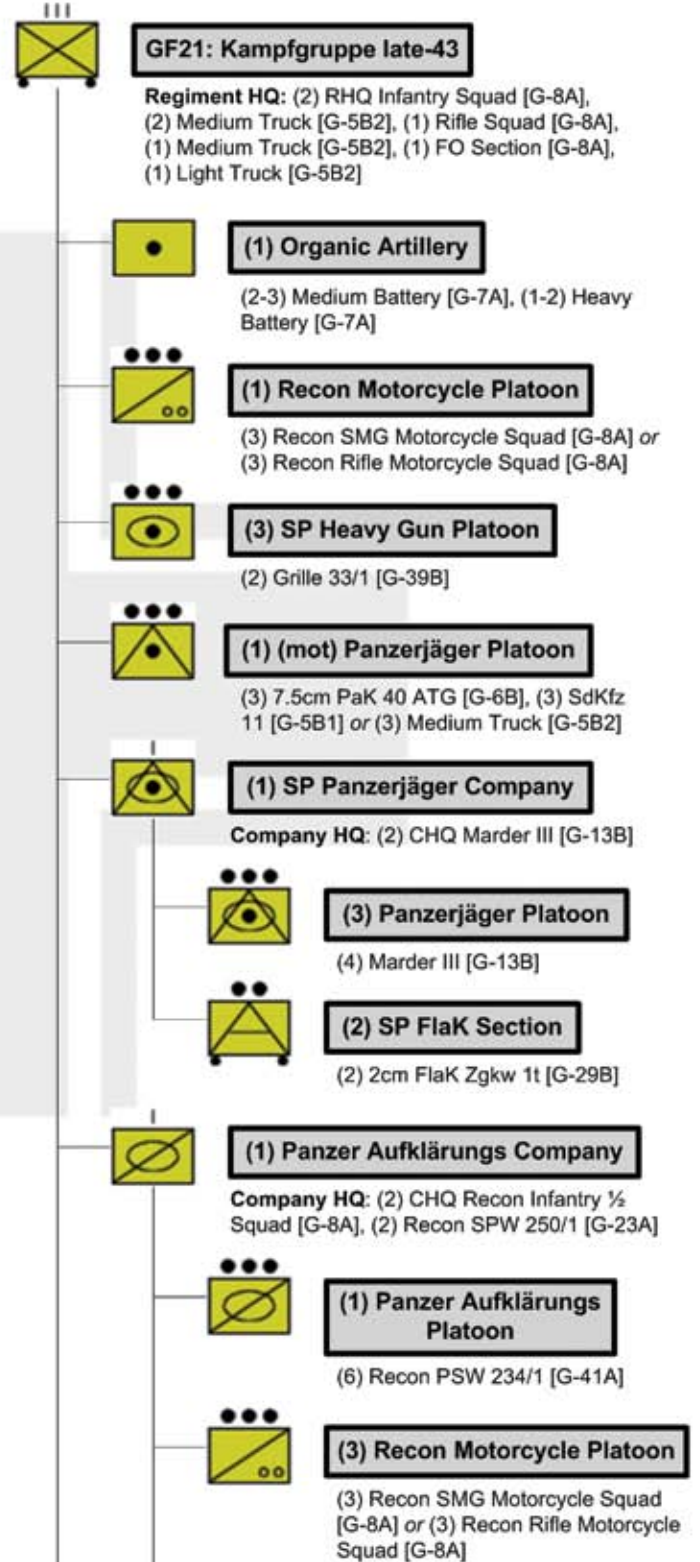


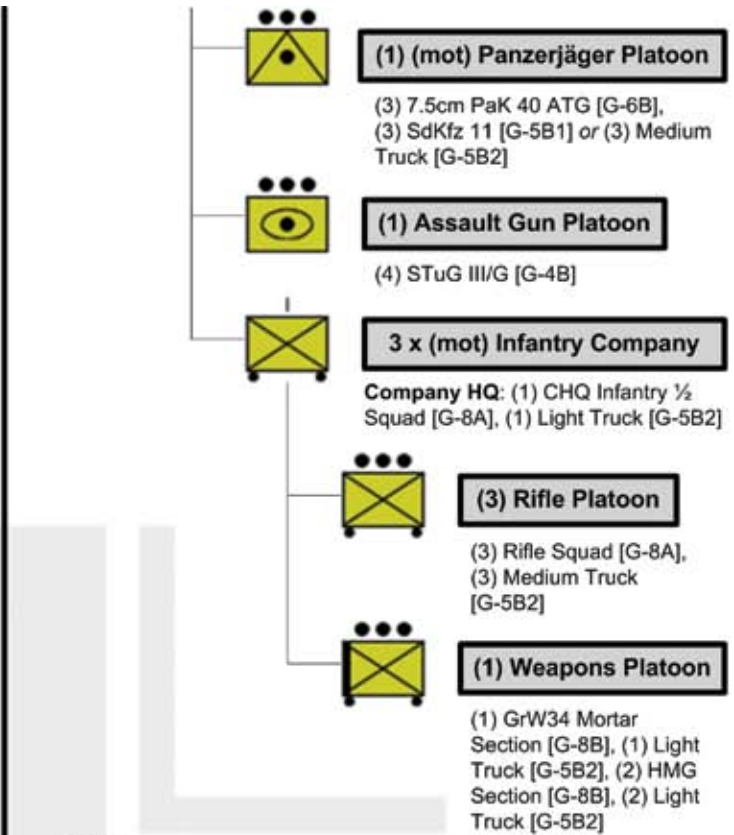
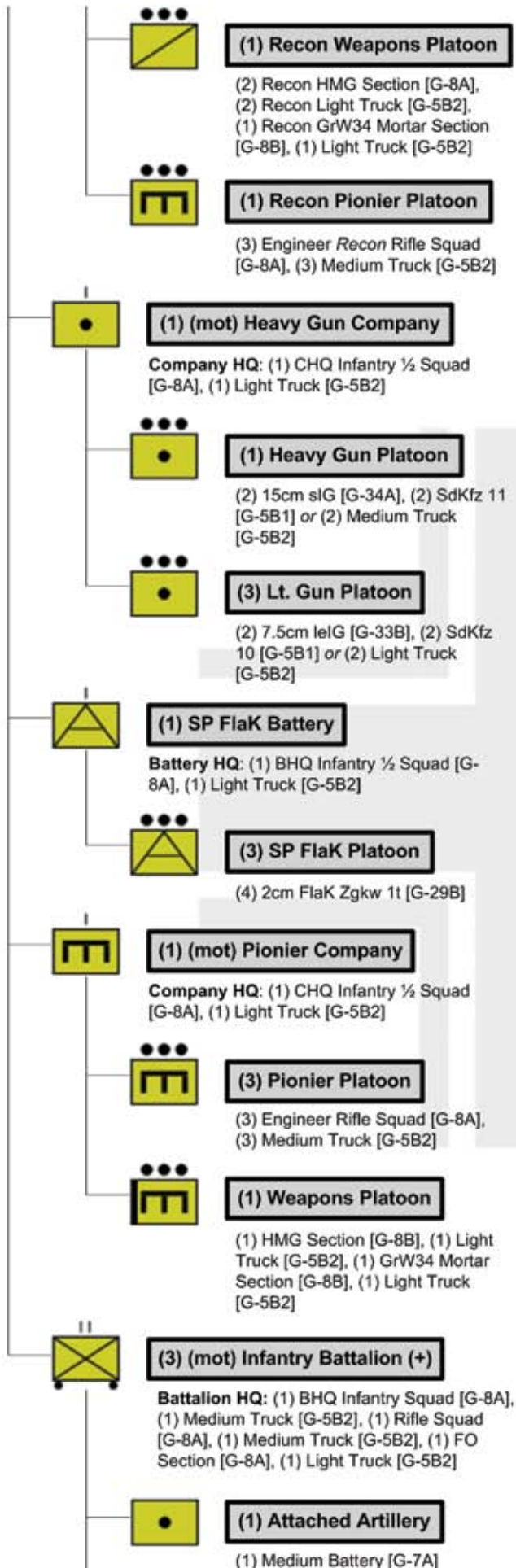
**Notes:**

- This TO&E represents an example regimental panzer kampfgruppe formation. It is applicable up to and including mid-44.
- The older model PzKpfw IV/G [G17] or PzKpfw IV/F2 [G16] may substitute for the PzKpfw IV/H [G18].
- The PzKpfw IVJ [G-12B] began appearing in mid-44 and may substitute for the PzKpfw IVH [G-2A].
- The PzKpfw VI/B Tiger II [G22] began appearing in early-44 and may substitute for the PzKpfw VI/E Tiger I [G21].
- The 2cm FlaK Zgkw 1t [G66] or 3.7cm FlaK Zgkw 5t [G67] may substitute for the 2cm Fakvierling Zgkw 8t [G68].

Notes, continued:

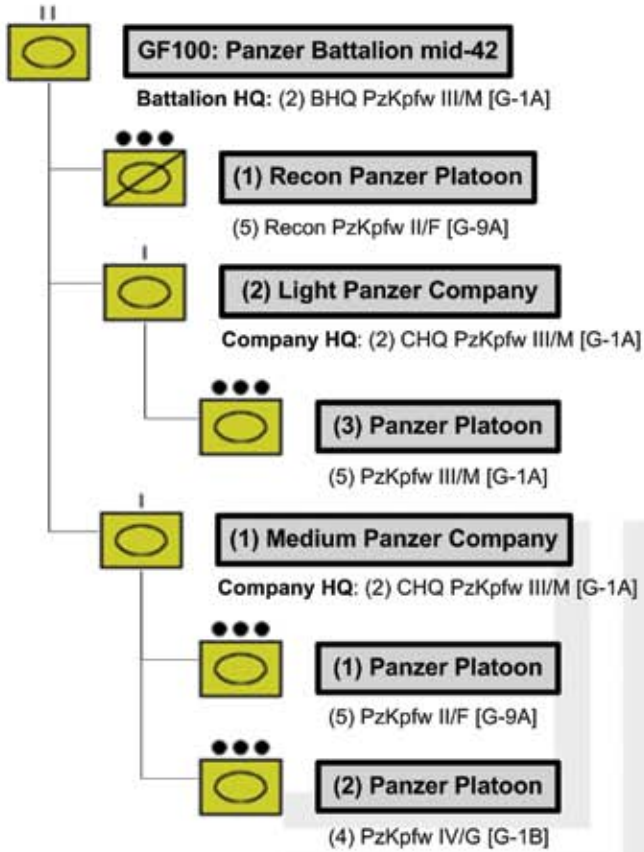
- The SPW 251/17 [G71] may substitute for the Flakpanzer 38(t) [G70].
- The Hetzer [G36], Jagdpanther [G34], Jagdpanzer IV [G32], and StuG IV [G31] all began appearing in early-44 and may substitute for the Marder III [G25].
- The older model Marder II [G24], StuG III/G [G29], or Nashorn [G35] may substitute for the Marder III [G25].
- All infantry, rifle, and SMG squads and ½ squads may carry panzerfausts.





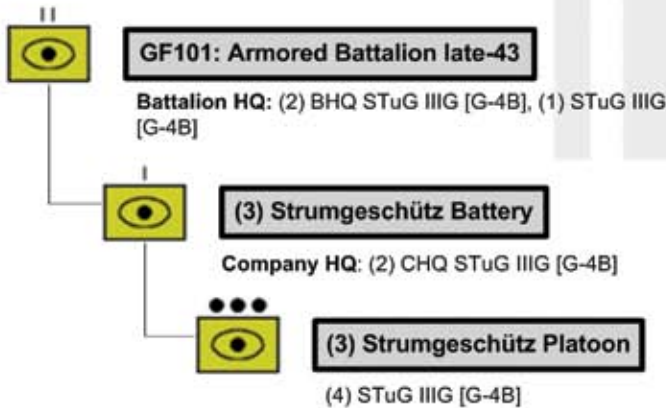
Notes:

- This TO&E represents an example regimental panzergrenadier kampfguppe formation. It is applicable up to mid-44.
- The 8.8cm PaK 43/41 ATG [G79] began appearing in early-44 and may substitute for the 7.5cm PaK 40 ATG [G78].
- The older 5cm PaK 38 ATG [G77] may substitute for the 7.5cm PaK 40 ATG [G78].
- The 3.7cm FlaK Zgkw 5t [G67] may substitute for the 2cm FlaK Zgkw 1t [G66].
- The StuH42 [G30] may substitute for the STuG III/G [G29] in limited numbers.
- The older model Grille 33 [G40] may substitute for the Grille 33/1 [G41].
- The older model STuG III/F [G28] may substitute for the STuG III/G [G29].
- The STuG IV [G31], Hetzer [G36], Jagdpanther [G34], Jagdpanzer IV [G32], and STuG IV [G31] all began appearing in early-44 and may substitute for the Marder III [G25].
- The Marder II [G24], STuG III/G [G29], or Nashorn [G35] may substitute for the Marder III [G25].
- All infantry, rifle, and SMG squads and ½ squads may carry panzerfausts.



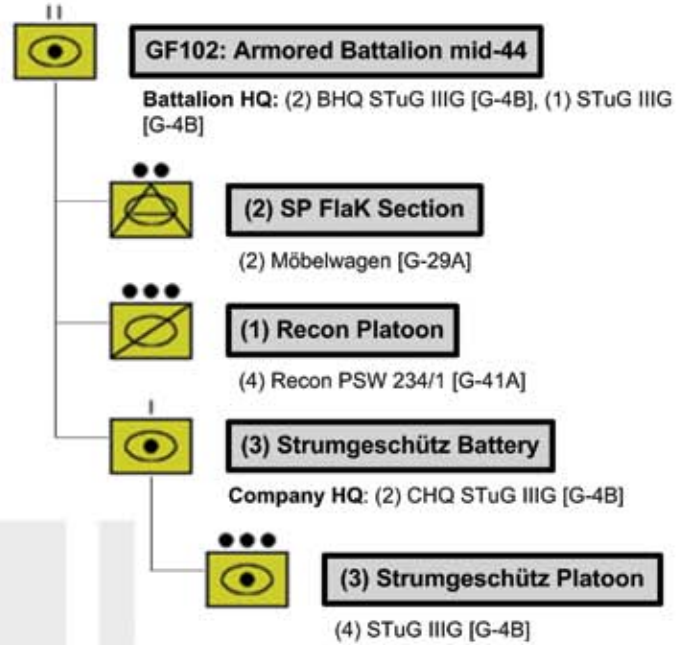
Notes:

- (mot) Infantry divisions fielded one panzer battalion.
- The older model PzKpfw IIC [G-35B] may substitute for the PzKpfw IIF [G-9A].
- The older models PzKpfw IIIJ [G-13B], PzKpfw IIIG [G-10A] or PzKpfw IIIF [G-38A] may substitute for the PzKpfw IIIM [G-1A].
- The older models PzKpfw IVF2 [G-12A], PzKpfw IVF1 [G-11B], PzKpfw IVE [G-11A] or PzKpfw IVD [G-39A] may substitute for the PzKpfw IVG [G-1B].
- The PzKpfw III (FI) [G-21A] began appearing in mid-43 and may substitute for the PzKpfw IIIM [G-1A].
- The PzKpfw IVH [G-2A] began appearing in early-43 and may substitute for the PzKpfw IVG [G-1B].



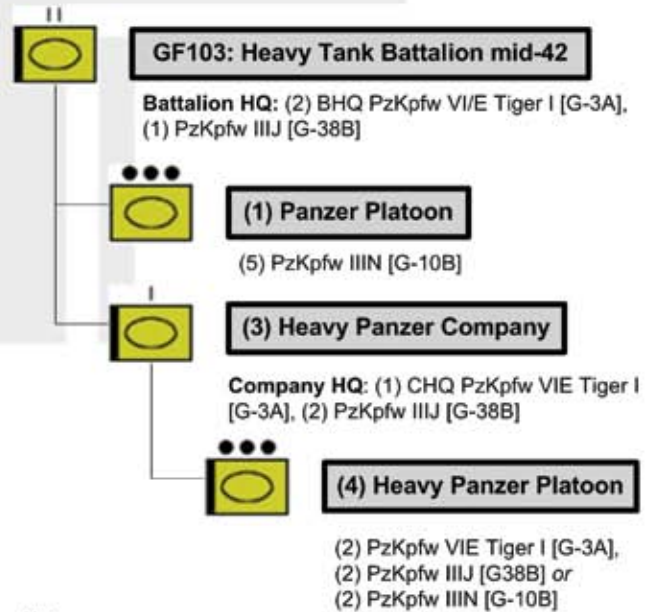
Notes:

- Panzergrenadier divisions fielded one armored battalion.
- The older model STuG IIIF [G-15A] or STuG IIIB [G-14B] may substitute for the STuG IIIG [G-4B].
- The STuH 42 [G-15B] may substitute for the STuG IIIG [G-4B] in limited numbers. Typically, no more than one platoon per battery.
- The STuG IV [G-16A] began appearing in early-44 and may substitute for the STuG IIIG [G-4B].



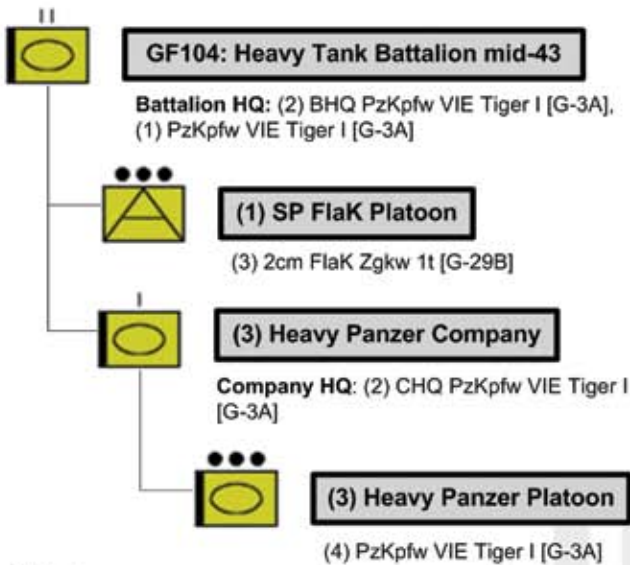
Notes:

- Panzergrenadier divisions fielded one armored battalion.
- This TO&E represents the armored battalion formation for the remainder of the war.
- The older model STuG IIIF [G-15A] may substitute for the STuG IIIG [G-4B].
- The STuH 42 [G-15B] may substitute for the STuG IIIG [G-4B] in limited numbers. Typically, no more than one platoon per battery.
- The STuG IV [G-16A] may substitute for the STuG IIIG [G-4B].
- The FlaKpanzer 38(t) [G-44B] or SPW251/17 [G-30B] may substitute for the Möbelwagen [G29A].
- The PSW 234/3 [G-42A] may substitute for the PSW 234/1 [G-41A].
- The PSW 234/4 [G-42B] began appearing in late-44 and may substitute for the PSW 234/1 [G-41A].



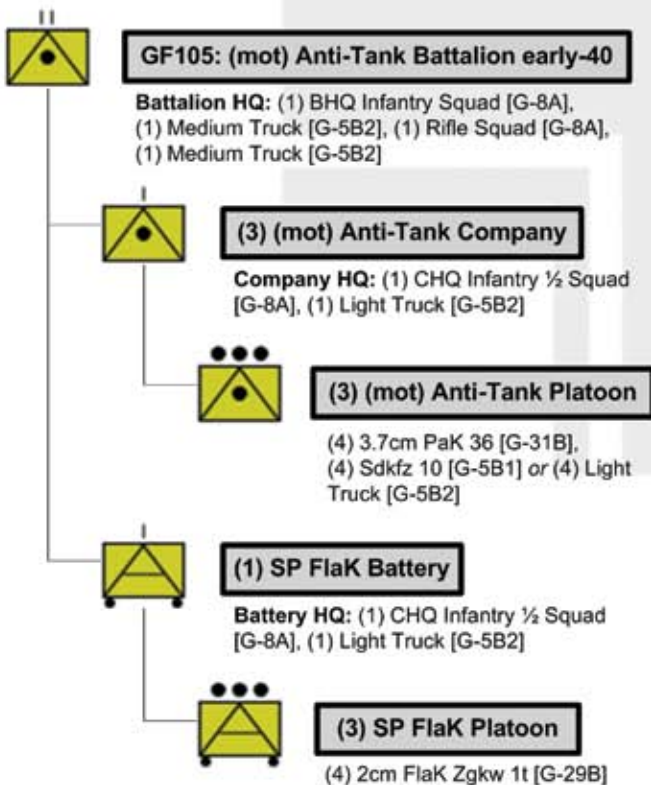
Notes:

- Heavy panzer battalions served as independent formations as well as attached to the panzer divisions typically as company level formations.
- Due to a shortage of Tiger Is, many battalions fielded only two companies.
- The various models of PzKpfw III may substitute freely for all of the listed models.
- The older models PzKpfw IVF1 [G-11B], PzKpfw IVE [G-11A] or PzKpfw IVD [G-39A] may substitute for the PzKpfw IIIN [G-10B].



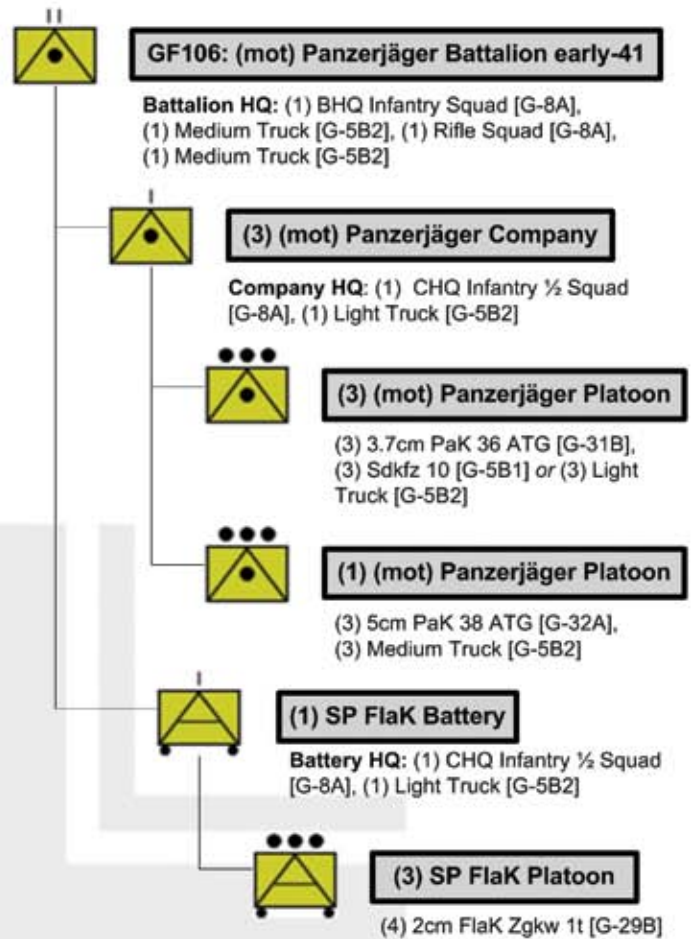
Notes:

- Heavy panzer battalions typically served as independent formations as well as attached to the panzer divisions typically as company level formations
- This TO&E represents the heavy panzer battalion formation for the remainder of the war.
- The PzKpfw VIB Tiger II [G-3B] began appearing in early-44 and may substitute for the PzKpfw VIE Tiger I [G-3A].
- The Flakpanzer 38(t) [G-44B] and SPW 251/17 [G-30B] both began appearing in late-43 and may substitute for the 2cm FlaK Zgkw 1t [G-29B].
- The three flak vehicles were typically allocated as assets to the heavy panzer company headquarters.



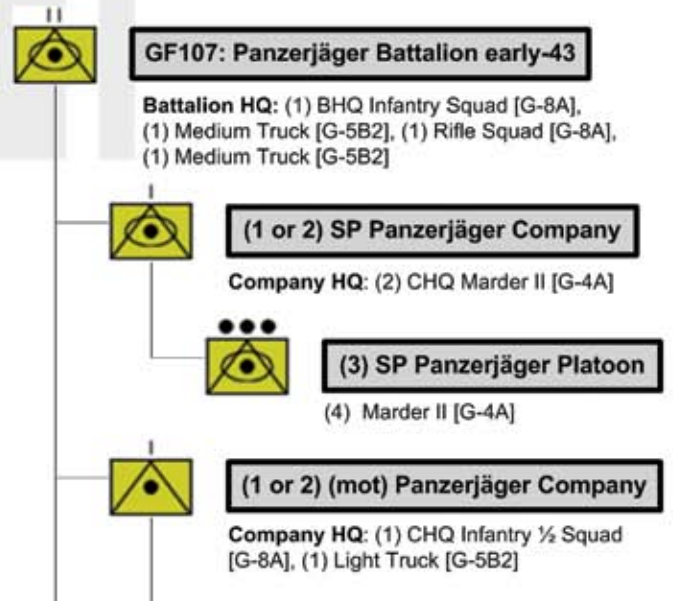
Notes:

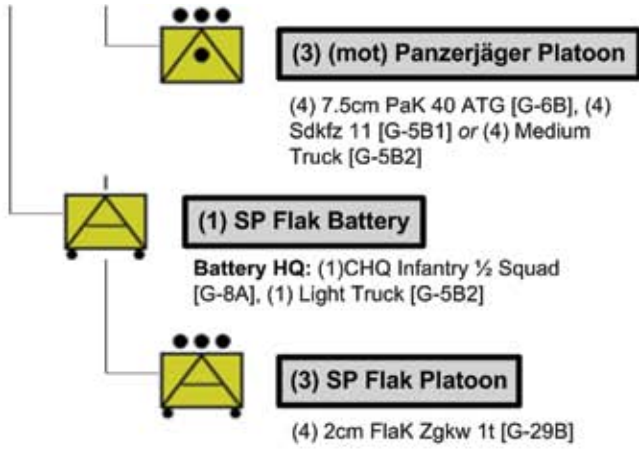
- Panzer, (mot) infantry and infantry divisions fielded a single (mot) anti-tank battalion.
- The three flak platoons were typically fielded as part of the anti-tank companies.
- The 5cm PaK 38 ATG [G-32A] began appearing in late-40 and may substitute for the 3.7cm PaK 36 ATG [G-31B].



Notes:

- Panzer, (mot) infantry and infantry divisions fielded a single panzerjäger battalion.
- The three flak platoons were typically fielded as part of the panzerjäger companies.
- The 7.5cm PaK 40 ATG [G-6B] began appearing in late-41 and may substitute (including heavier transport) for the 3.7cm PaK 36 ATG [G-31B] or the 5cm PaK 38 [G-32A].
- The older 3.7cm PaK 36 ATG [G-31B] may substitute for the 5cm PaK 38 ATG [G-32A].



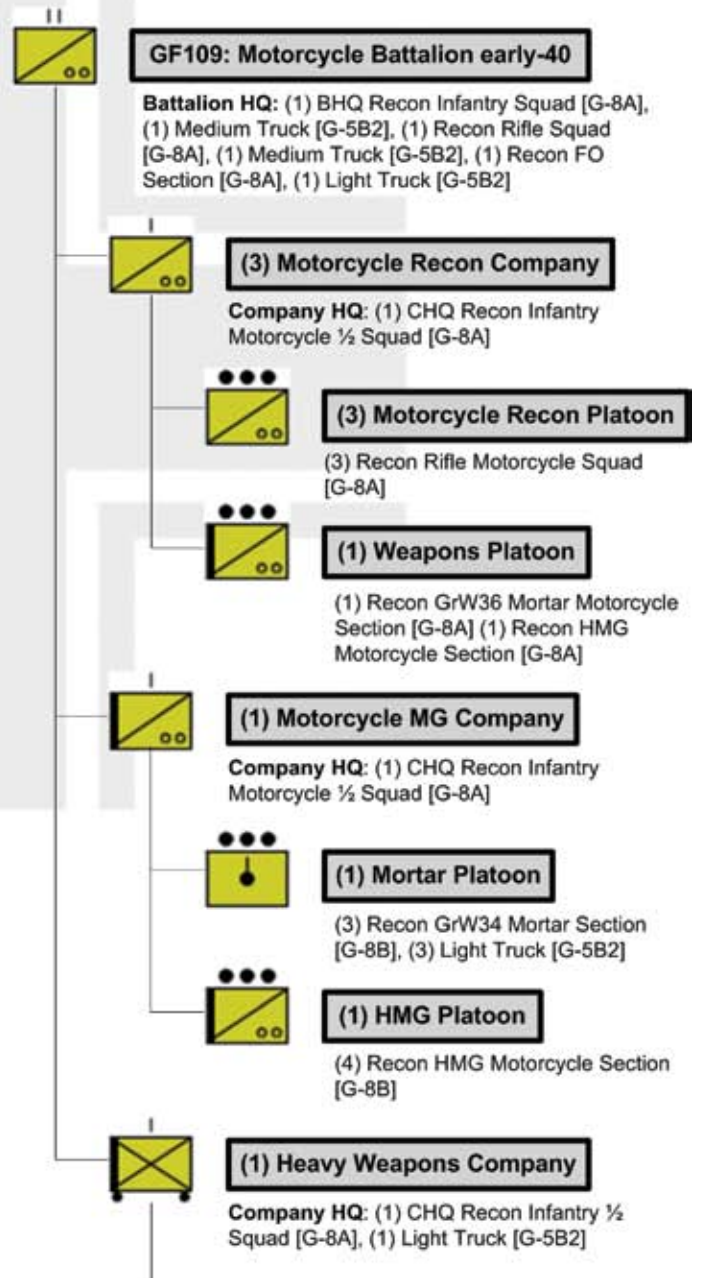
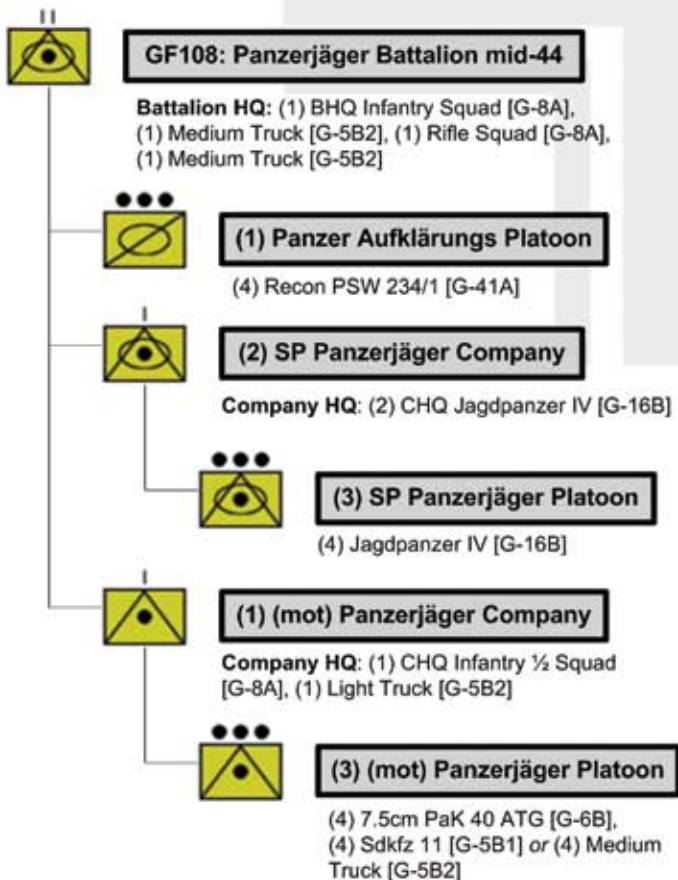


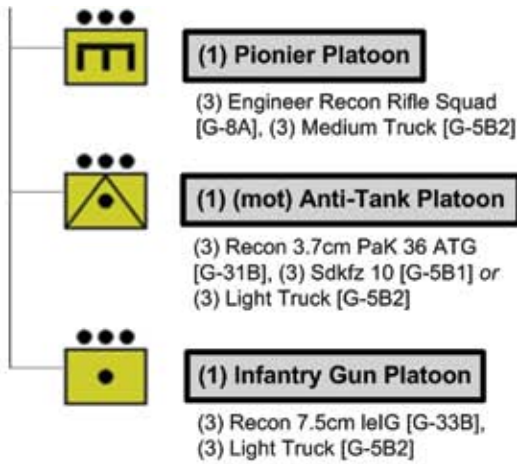
Notes:

- Panzer, panzergrenadier, infantry and volkgrenadier divisions fielded a single panzerjäger battalion composed of a total of three SP or (mot) panzerjäger companies.
- The three flak platoons were typically fielded as part of the panzerjäger companies.
- The 8.8cm PaK 43 ATG [G-32B] began appearing in early-44 and may substitute for the 7.5cm PaK 40 ATG [G-6B].
- The older 5cm PaK 38 ATG [G-32A] may substitute for the 7.5cm PaK 40 ATG [G-6B].
- The 3.7cm FlaK Zgkw 5t [G-30A] may substitute for the 2cm FlaK Zgkw 1t [G-29B].
- The Nashorn [G-18A], Marder III [G-13B], Marder III 76(r) [G-14A], STuG IIIG [G-4B] or STuG IIIF [G-15A] may substitute for the Marder II [G-4A].
- The Hetzer [G-18B], Jagdpanther [G-17B], Jagdpanzer IV [G-16B], and STuG IV [G-16A] all began appearing in early -44 and may substitute for the Marder II [G-4A].
- The Elefant [G-19A], which began appearing in early-43, was issued only to the independent schwere Panzerjägerabteilungen 653 and 654.

Notes:

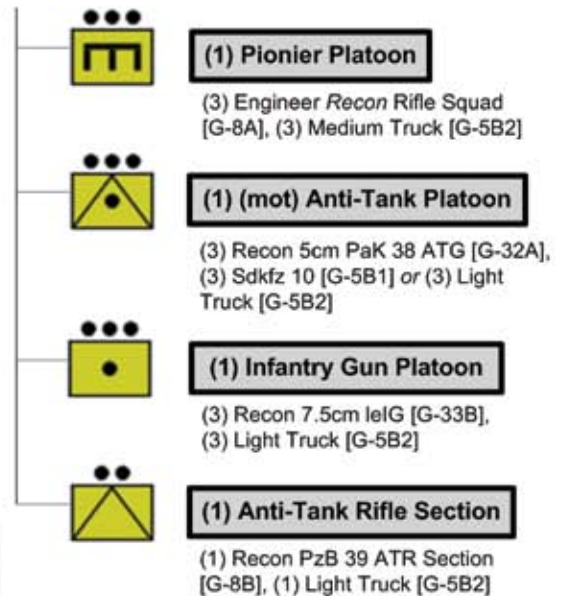
- Panzer and panzergrenadier fielded a single panzerjäger battalion.
- This TO&E represents the panzerjäger battalion formation for the remainder of the war.
- The 8.8cm PaK 43 ATG [G-32B] may substitute for the 7.5cm PaK 40 ATG [G-6B].
- The older 5cm PaK 38 ATG [G-32A] may substitute for the 7.5cm PaK 40 ATG [G-6B].
- The PSW 234/2 Puma [G-41B] or PSW 234/3 [G-42A] may substitute for the PSW 234/1 [G-41A].
- The PSW 234/4 [G-42B] began appearing in late-44 and may substitute for the PSW 234/1 [G-41A].
- The Nashorn [G-18A], Marder II [G-4A], Marder III [G-13B], Marder III 76(r) [G-14A], Hetzer [G-18B], Jagdpanzer IV/70 [G-17A], Jagdpanther [G-17B], STuG IV [G-16A], STuG IIIG [G-4B] or STuG IIIF [G-15A] may substitute for the Jagdpanzer IV [G-41A].
- The Jagdtiger [G-19B], which began appearing in mid -44 in very limited numbers, was issued only to the independent schwere Panzerabteilung 512 and schwere Panzerjägerabteilung 653; it may substitute for the Jagdpanzer IV [G32].





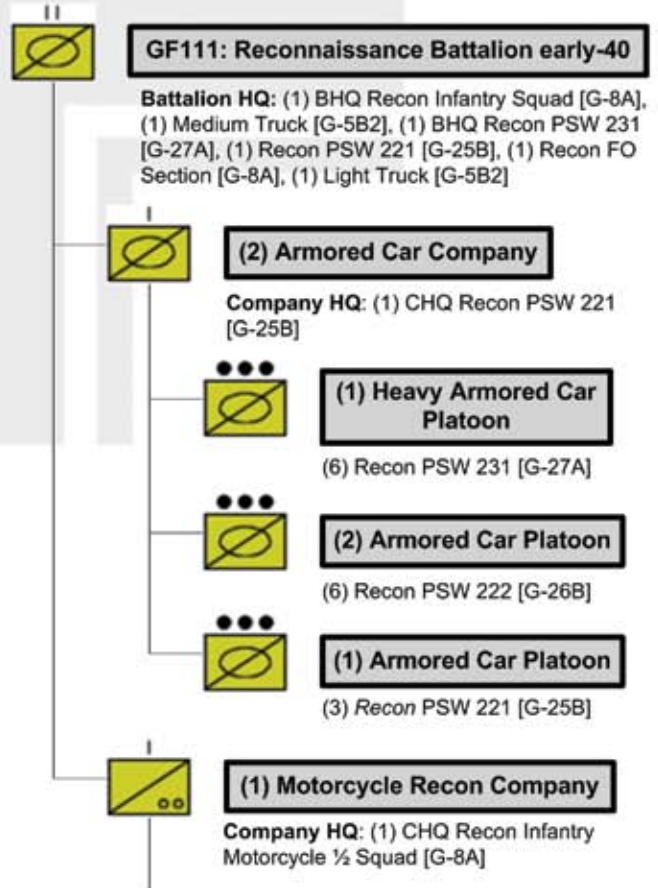
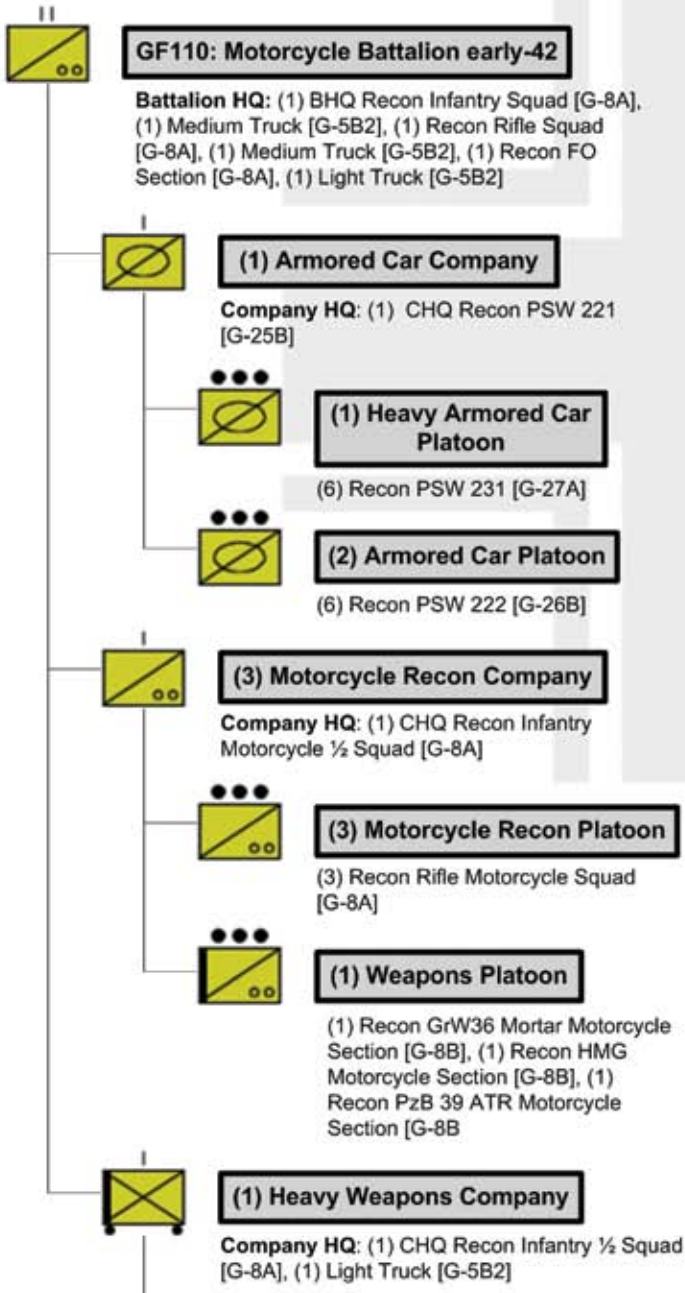
Notes:

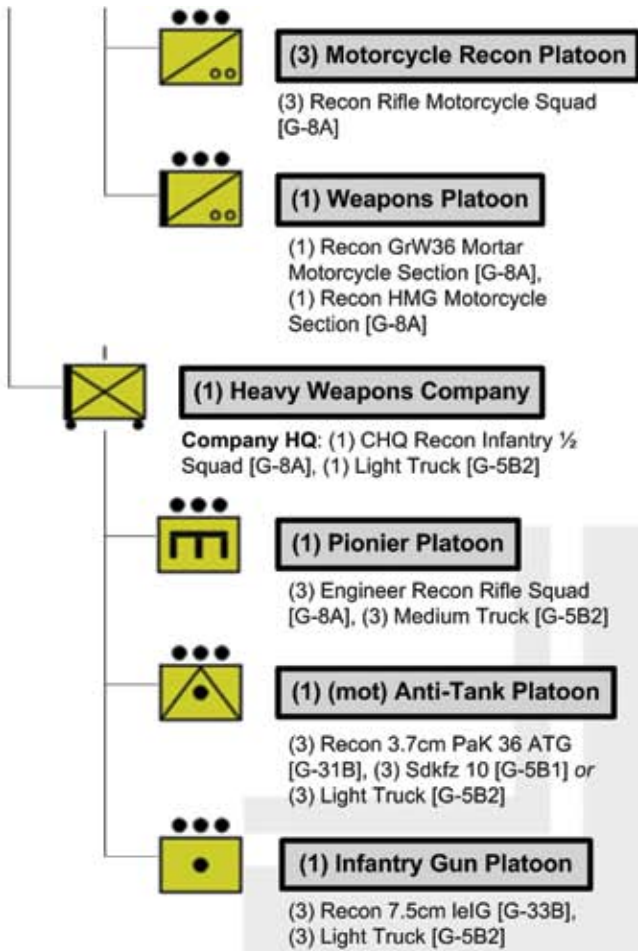
- Panzer and (mot) infantry divisions fielded a single motorcycle battalion.
- The 5cm PaK 38 ATG [G-32A] began appearing in late-40 and may substitute for the 3.7cm PaK 36 ATG [G-31B].



Notes:

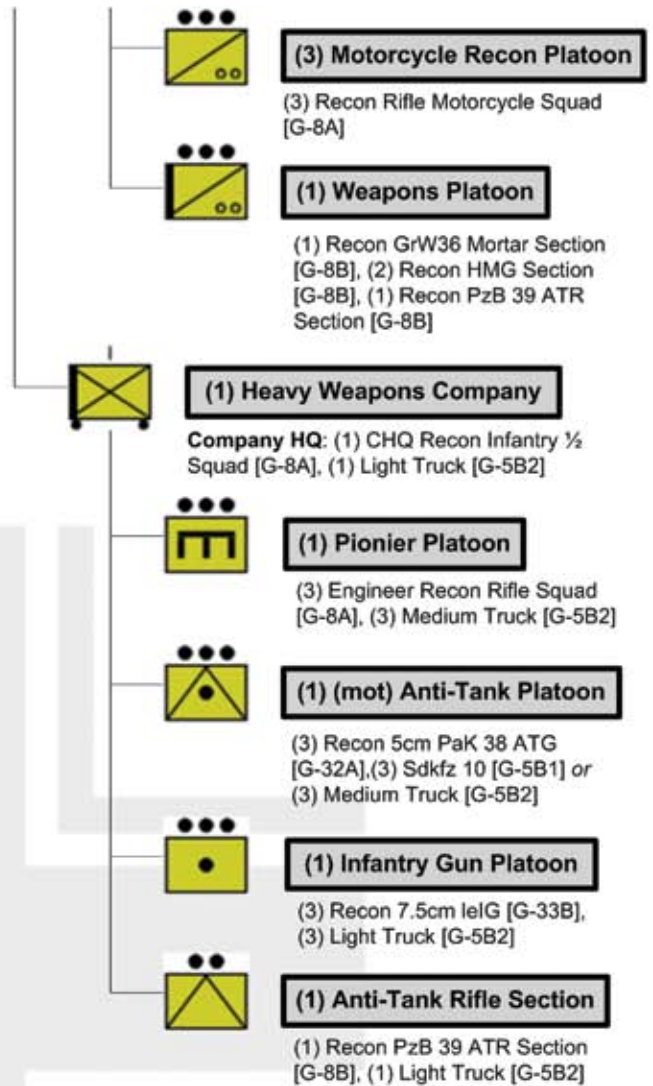
- (mot) infantry divisions fielded a single motorcycle battalion.
- The PSW 221 [G-25B] may substitute for the PSW 222 [G-26B].
- The PSW 221 sPzB [G-26A] began appearing in late-41 and may substitute for the PSW 222 [G-26B].
- The 2.8cm sPzB41 ATG [G-31A] may substitute for the 5cm PaK 38 ATG [G-32A].
- The older 3.7cm PaK 36 ATG [G-31B] may substitute for the 5cm PaK 38 ATG [G-32A].
- Starting in 1942, the GrW34 Mortar Section [G-8B] began replacing the GrW36 Mortar Section [G86].
- By early-42, the PzB 39 ATR Section [G-8B] was removed from most formations.





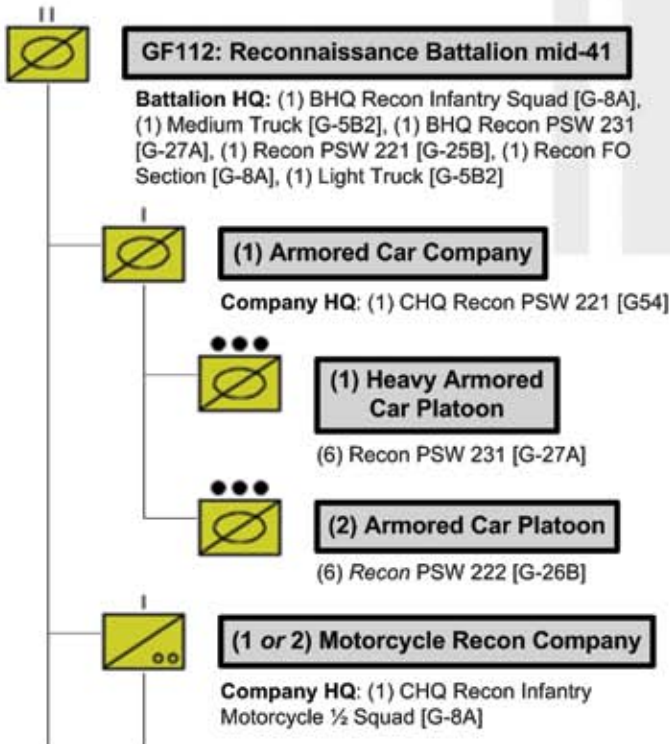
Notes:

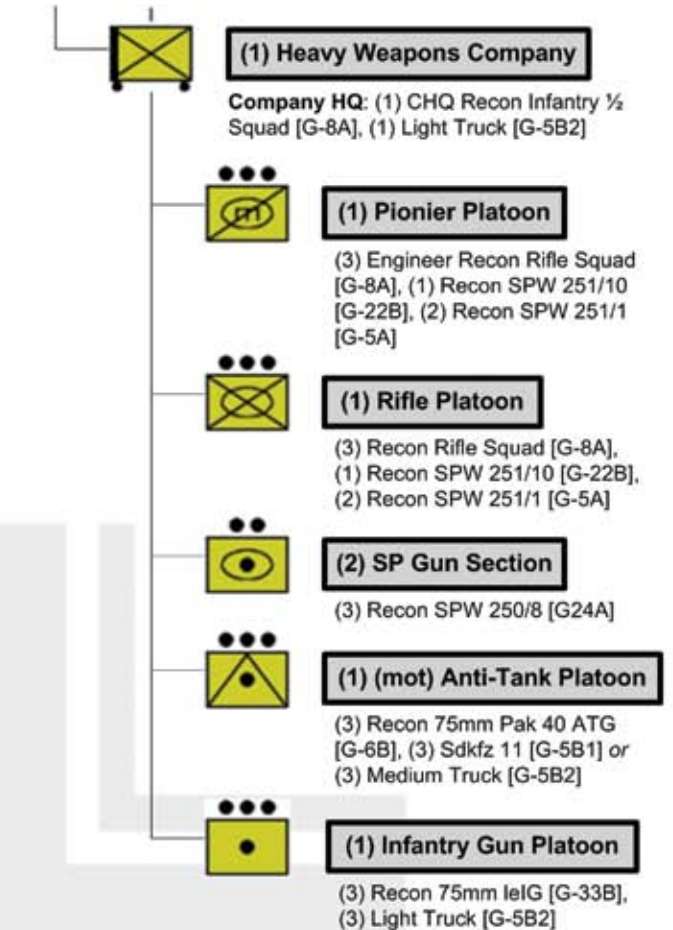
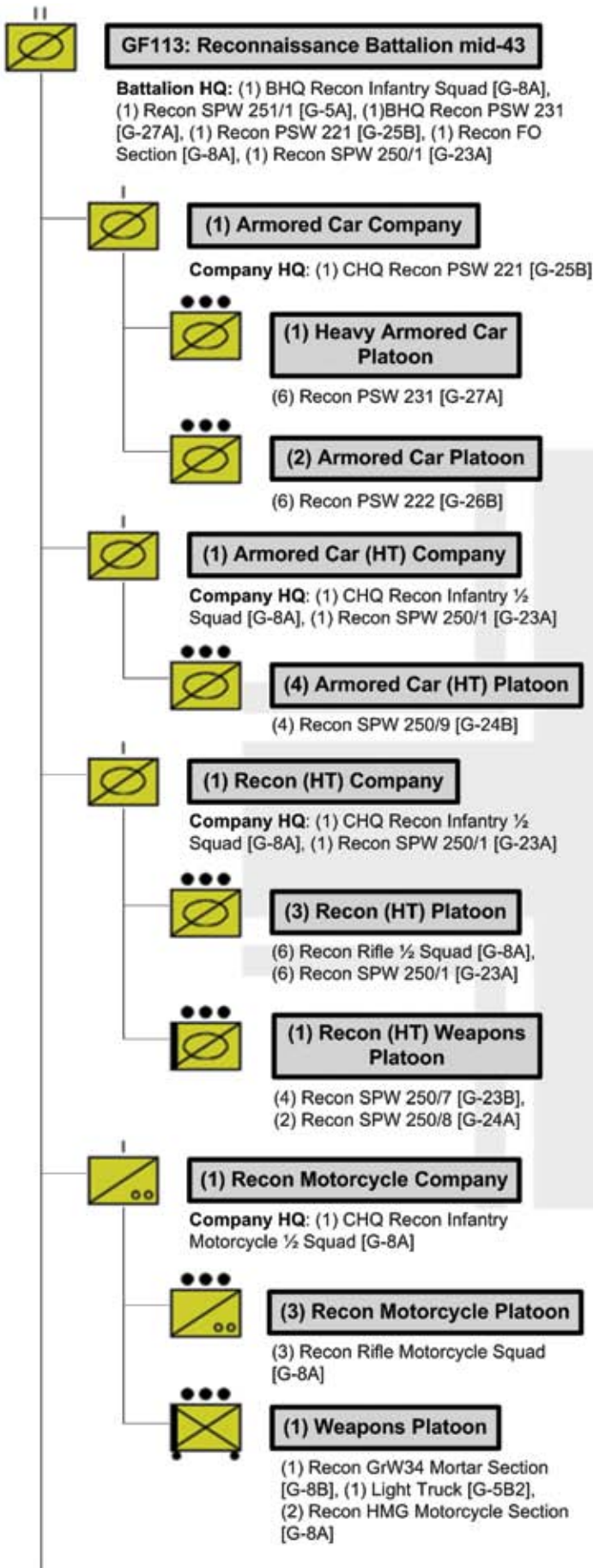
- Panzer and (mot) infantry divisions fielded a single reconnaissance battalion..
- The 5cm PaK 38 ATG [G-32A] began appearing in late-40 and may substitute for the 3.7cm PaK 36 ATG [G31B].



Notes:

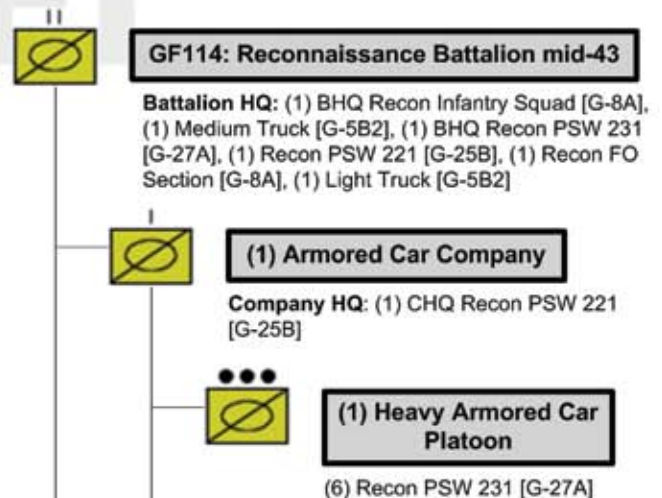
- Panzer divisions fielded a single reconnaissance battalion..
- The PSW 233 [G-27B] began appearing in early-43 and may substitute for the PSW 231 [G-27A].
- The PSW 221 [G-25B] may substitute for the PSW 222 [G-26B].
- The PSW 221 sPzB [G-26A] began appearing in late-41 and may substitute for the PSW 222 [G-26B].
- The 7.5cm PaK 40 ATG [G-6B] began appearing in late-41 and may substitute (including heavier transport) for the 5cm PaK 38 ATG [G-32A].
- The 2.8cm sPzB41 ATG [G-31A] may substitute for the 5cm PaK 38 ATG [G-32A].
- The older 3.7cm PaK 36 ATG [G-31B] may substitute for the 5cm PaK 38 ATG [G-32A].
- Starting in 1942, the GrW34 Mortar Section [G-8B], including wheeled transport, began replacing the GrW36 Mortar Section [G-8B].
- By early-42, the PzB 39 ATR Section [G-8B] was removed from most formations.

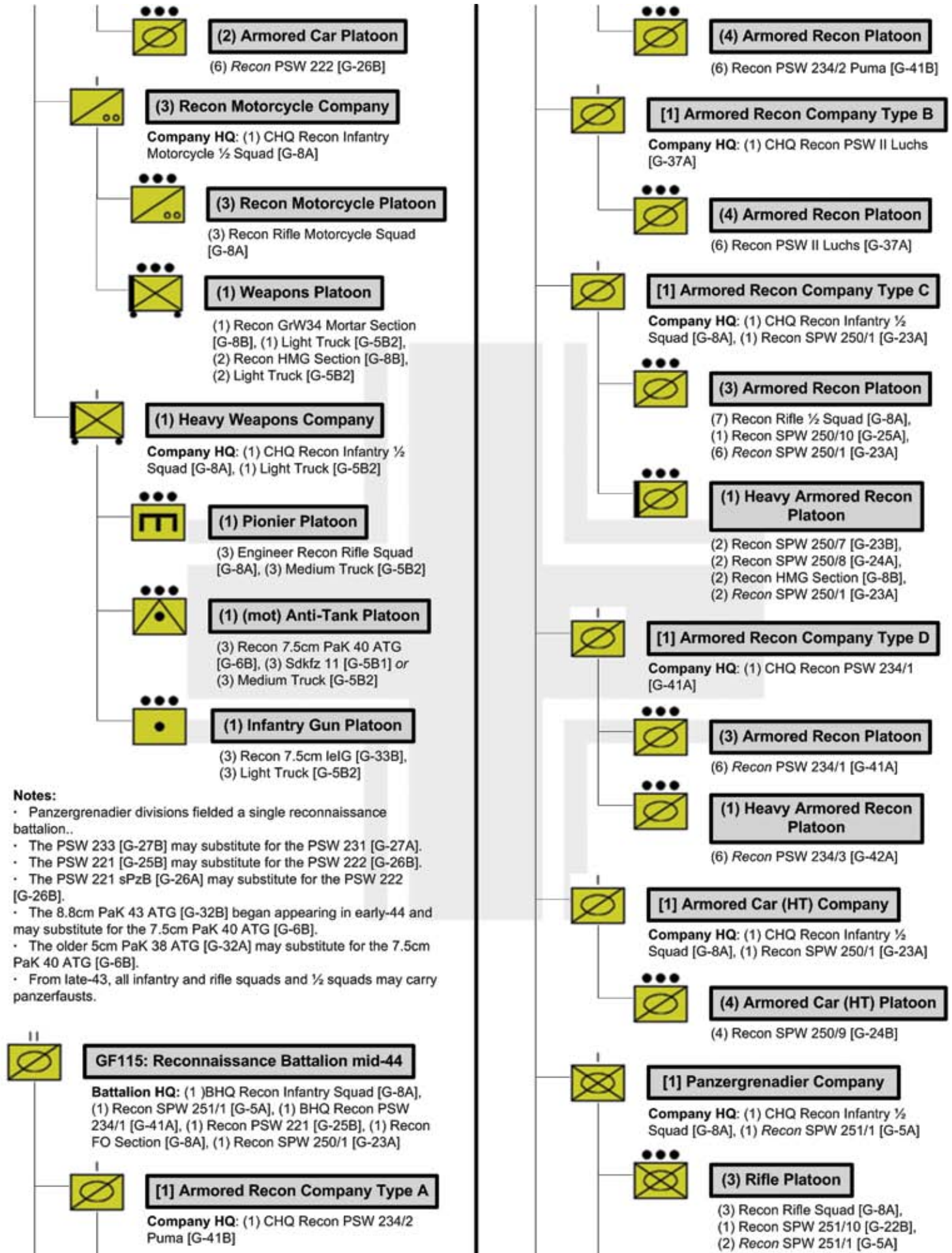




Notes:

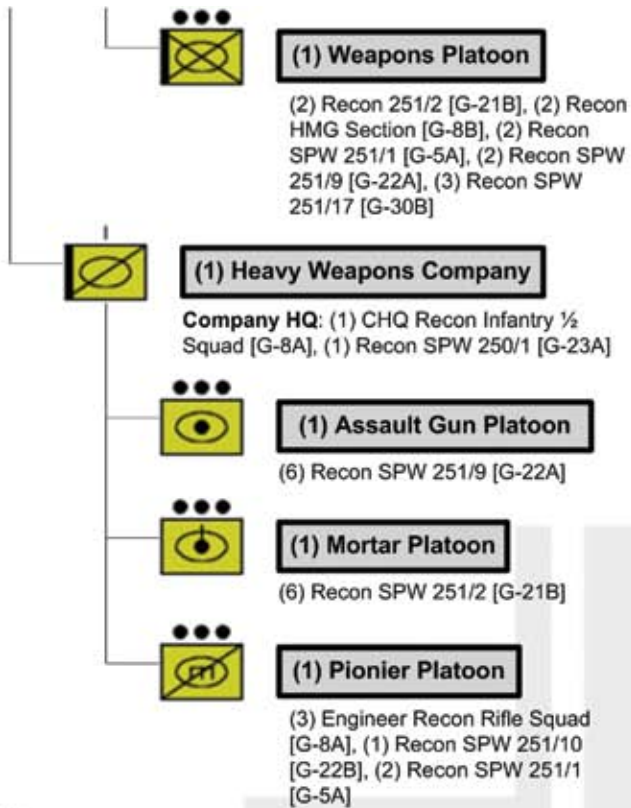
- Panzer divisions fielded a single reconnaissance battalion..
- The PSW 233 [G-27B] may substitute for the PSW 231 [G-27A].
- The PSW 221 [G-25B] may substitute for the PSW 222 [G-26B].
- The PSW 221 sPzB [G-26A] may substitute for the PSW 222 [G-26B].
- The 8.8cm PaK 43/ ATG [G-32B] began appearing in early-44 and may substitute for the 7.5cm PaK 40 ATG [G-6B].
- The older 5cm PaK 38 ATG [G-32A] may substitute for the 7.5cm PaK 40 ATG [G-6B].
- By late-43, the recon motorcycle company was dropped from most recon battalions.
- From late-43, all infantry and rifle squads and ½ squads may carry panzerfausts.





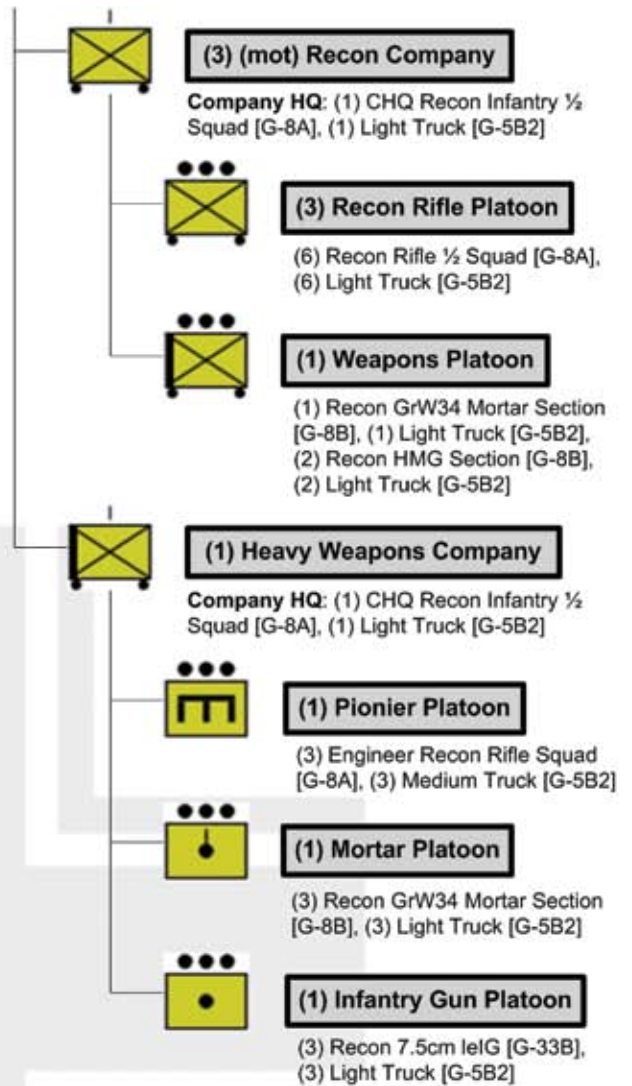
Notes:

- Panzergrenadier divisions fielded a single reconnaissance battalion..
- The PSW 233 [G-27B] may substitute for the PSW 231 [G-27A].
- The PSW 221 [G-25B] may substitute for the PSW 222 [G-26B].
- The PSW 221 sPzB [G-26A] may substitute for the PSW 222 [G-26B].
- The 8.8cm PaK 43 ATG [G-32B] began appearing in early-44 and may substitute for the 7.5cm PaK 40 ATG [G-6B].
- The older 5cm PaK 38 ATG [G-32A] may substitute for the 7.5cm PaK 40 ATG [G-6B].
- From late-43, all infantry and rifle squads and ½ squads may carry panzerfausts.



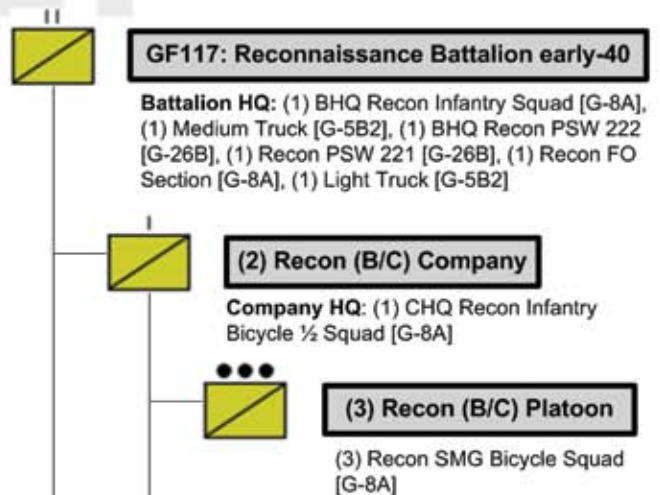
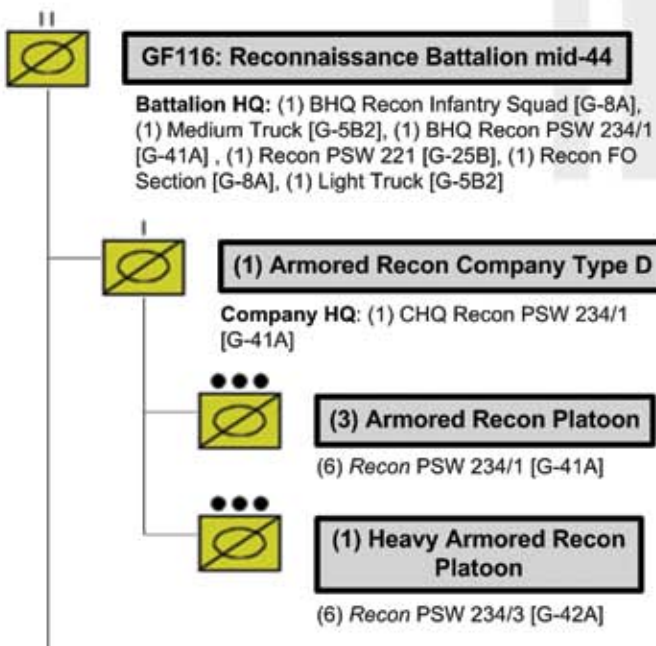
Notes:

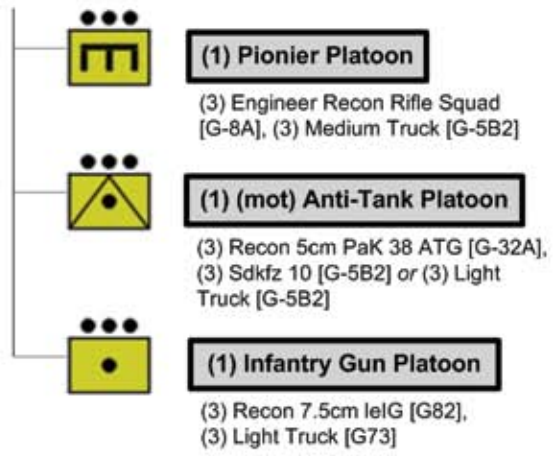
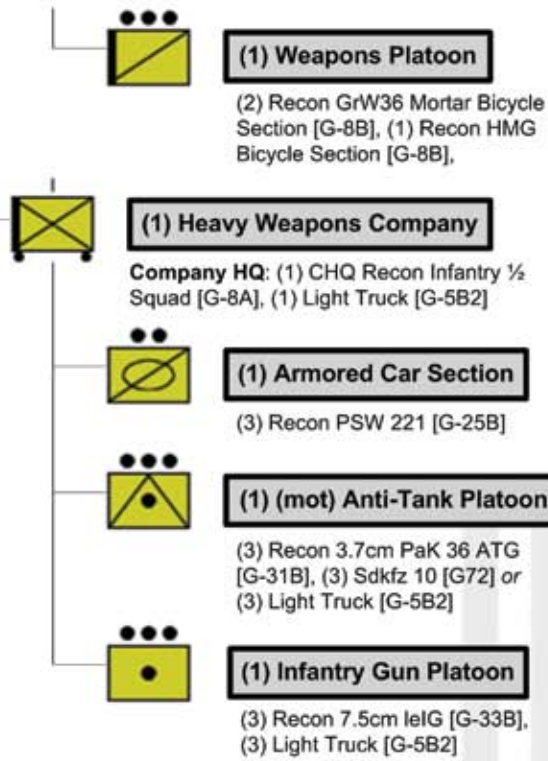
- Panzer divisions fielded a single reconnaissance battalion..
- This TO&E represents the panzer division reconnaissance battalion formation for the remainder of the war (see below).
- Reconnaissance battalions typically fielded four companies, the heavy weapons company plus any three of the other six companies listed with a [1] quantity.
- The PSW 234/4 [G-42B] began appearing in late-44 and may substitute for the PSW 234/3 [G-42A].
- The PzKpfw 38(t) Aufklärer [G-37B] may substitute for the PSW II Luchs [G-37A].
- The SPW 250/11 [G-40B] may substitute for the SPW 250/10 [G-25A].
- All infantry and rifle squads and ½ squads may carry panzerfausts.



Notes:

- Panzergrenadier divisions fielded a single reconnaissance battalion..
- This TO&E denotes the panzergrenadier division reconnaissance battalion formation for the remainder of the war.
- The PSW 234/4 [G-42B] began appearing in late-44 and may substitute for the PSW 234/3 [G-42A].
- The PSW 222 [G-26B] may substitute for the PSW 234/1 [G-41A].
- All infantry and rifle squads and ½ squads may carry panzerfausts.



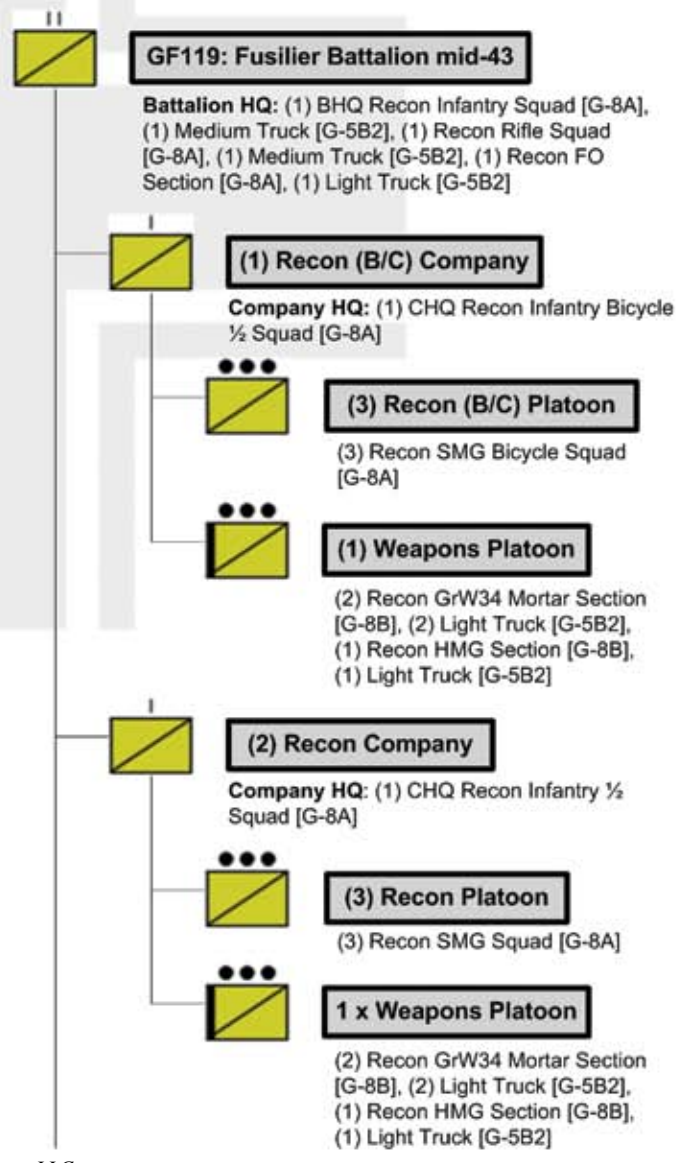
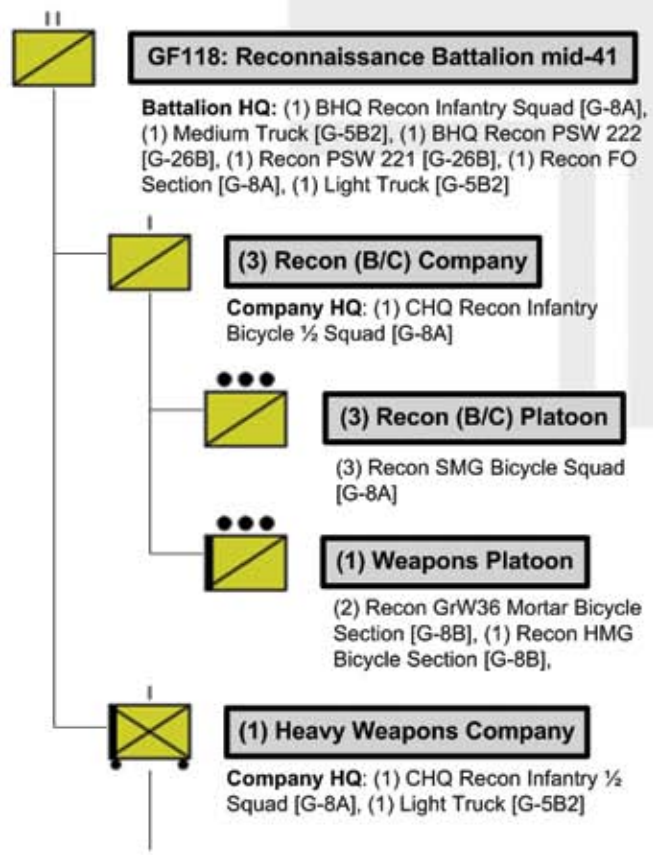


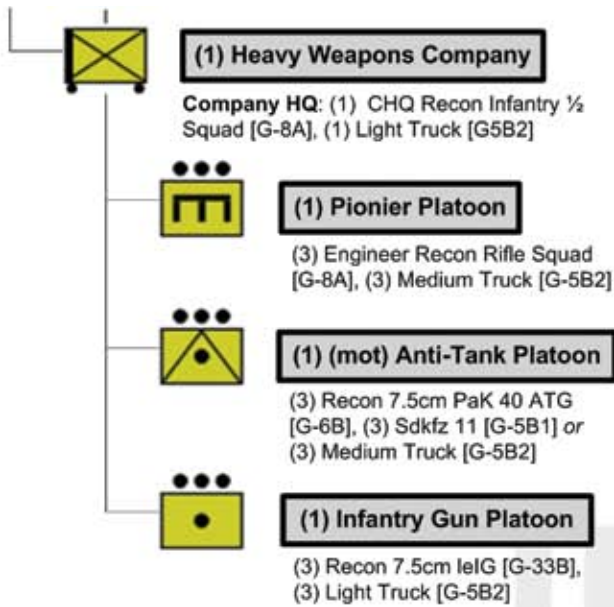
Notes:

- Infantry divisions fielded a single reconnaissance battalion..
- Rifle squads may substitute for the SMG squads in the recon (B/C) platoons.
- The 7.5cm PaK 40 ATG [G-6B] began appearing in late-41 and may substitute (including transport) for the 5cm PaK 38 ATG [G-32A].
- The older 3.7cm PaK 36 ATG [G-31B] may substitute for the 5cm PaK 38 ATG [G-32A].
- Starting in 1942, the GrW34 Mortar Section [G-8B], including wheeled transport, began replacing the GrW36 Mortar Section [G-8B].

Notes:

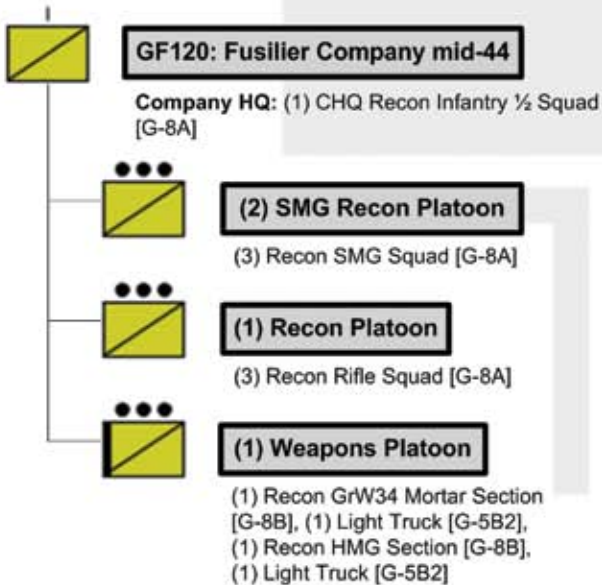
- Infantry divisions fielded a single reconnaissance battalion.
- Rifle squads may substitute for the SMG squads in the recon (B/C) platoons.
- The PSW 222 [G-26B] may substitute for the PSW 221 [G25B].
- The 5cm PaK 38 ATG [G-32A] began appearing in late-40 and may substitute for the 3.7cm PaK 36 ATG [G-31B].





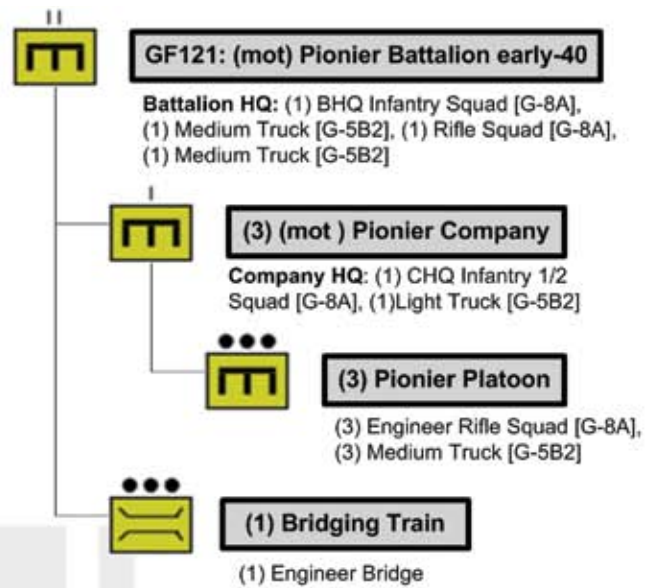
Notes:

- Infantry divisions fielded a single fusilier battalion..
- This TO&E denotes the fusilier battalion formation for the remainder of the war.
- Rifle squads may substitute for the SMG squads in all recon platoons.
- The older 5cm PaK 38 ATG [G-32A] may substitute for the 7.5cm PaK 40 ATG [G-6B].
- From late-43, all infantry, rifle and SMG squads and ½ squads may carry panzerfausts.



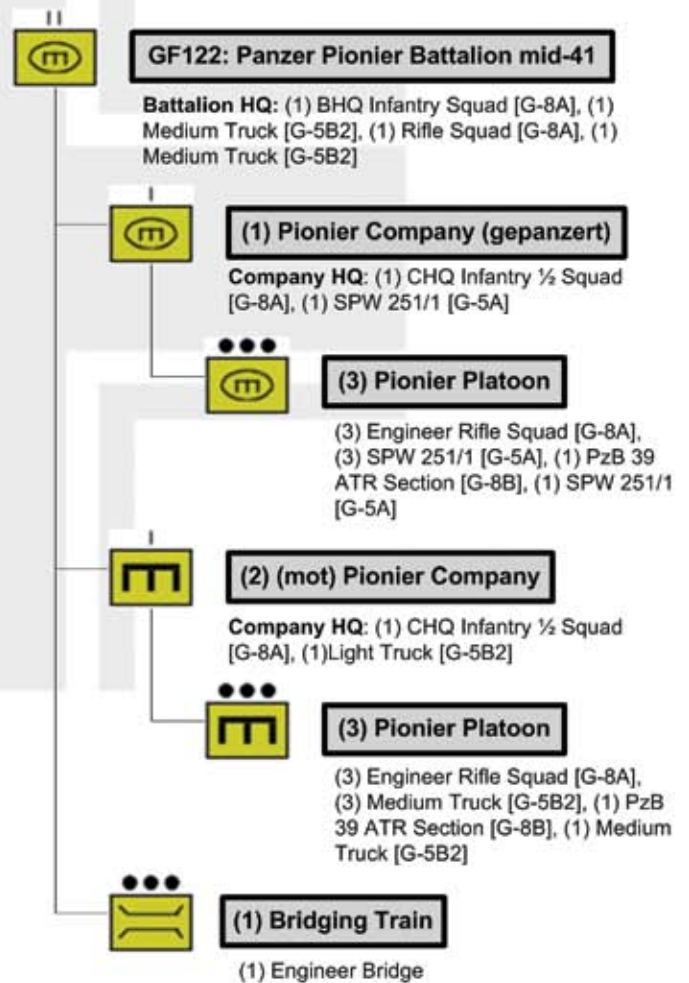
Notes:

- Volksgrenadier divisions fielded a single fusilier company.
- This TO&E denotes the volksgrenadier fusilier company formation for the remainder of the war.
- The SMG recon and the recon platoons may be mounted on bicycles.
- All infantry, rifle and SMG squads and ½ squads may carry panzerfausts.



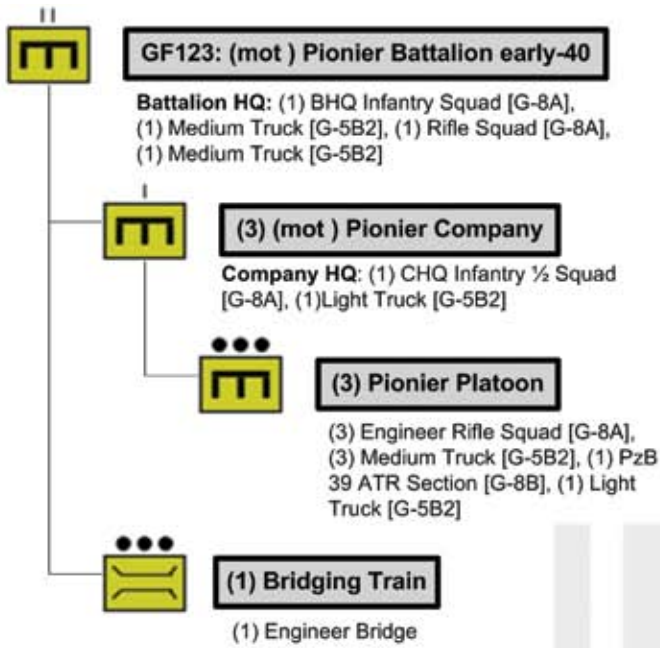
Notes:

- Panzer and (mot) infantry divisions fielded a single (mot) pionier battalion.



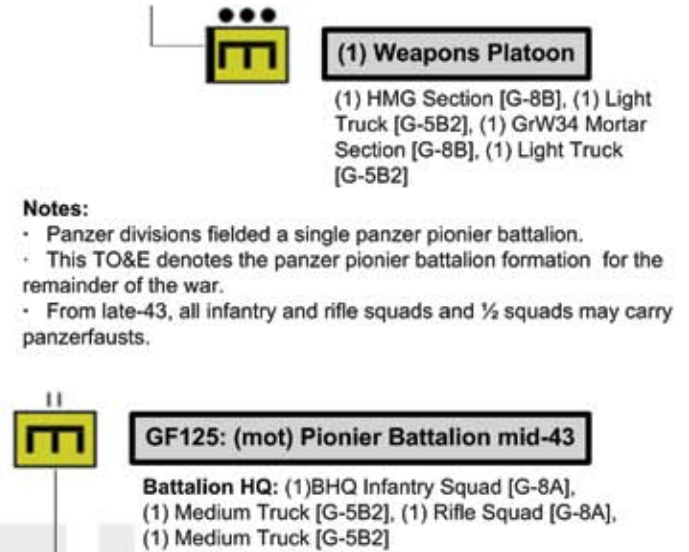
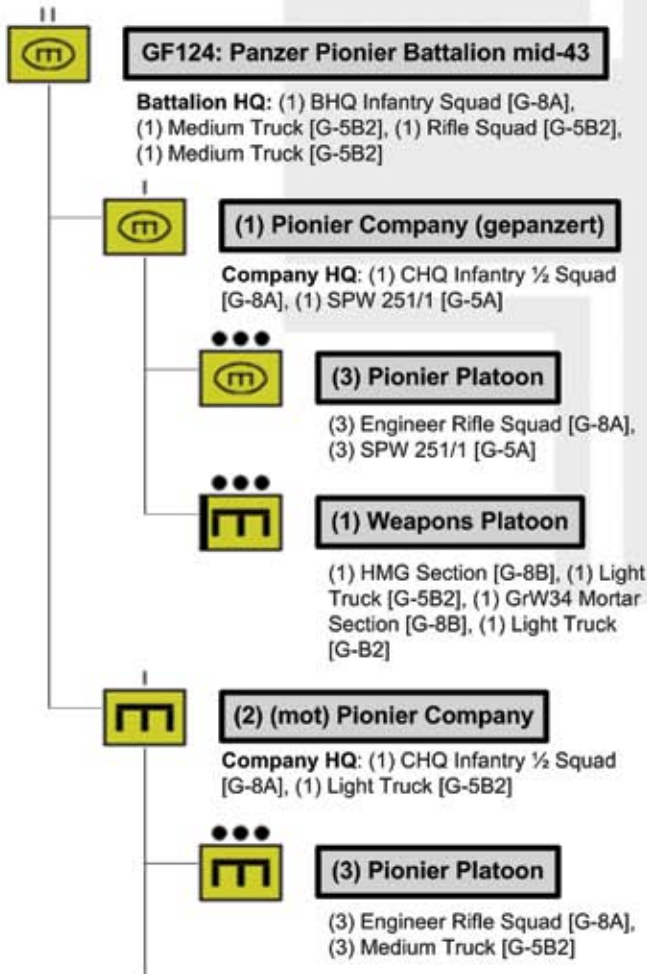
Notes:

- Panzer divisions fielded a single panzer pionier battalion.



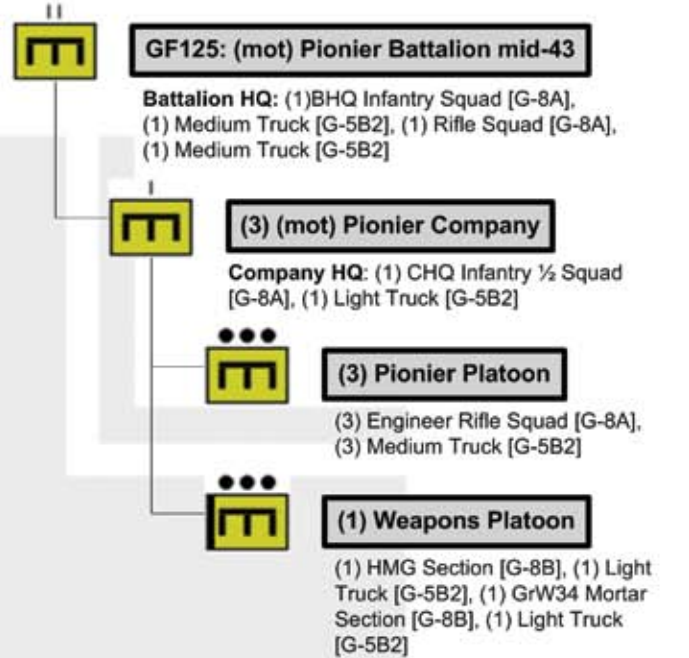
Notes:

- (mot) Infantry divisions fielded a single pioneer battalion (mot).
- By early-42, the PzB 39 ATR section was removed from most formations.



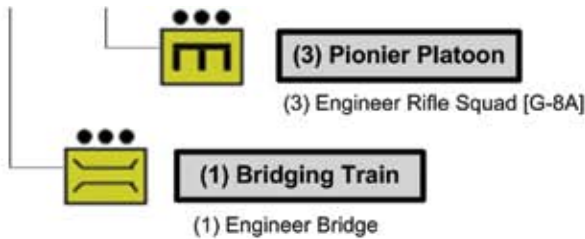
Notes:

- Panzer divisions fielded a single panzer pioneer battalion.
- This TO&E denotes the panzer pioneer battalion formation for the remainder of the war.
- From late-43, all infantry and rifle squads and ½ squads may carry panzerfausts.



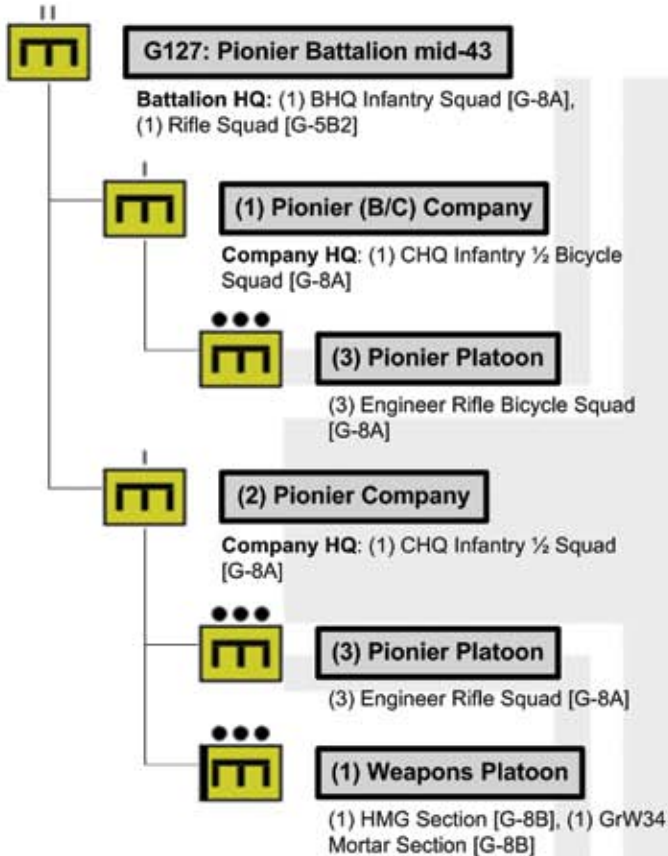
Notes:

- Panzergrenadier divisions fielded a single (mot) pioneer battalion.
- This TO&E denotes the (mot) pioneer battalion formation for the remainder of the war.
- From late-43, all infantry and rifle squads and ½ squads may carry panzerfausts.



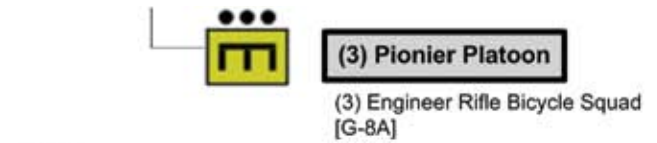
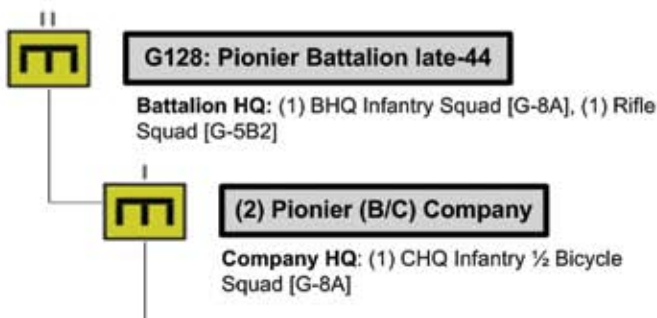
Notes:

- Infantry divisions fielded a single pionier battalion.
- Starting in mid-41, a single PzB 39 ATR Section [G-8B] was added to each of the pionier platoons.
- By early-42, the PzB 39 ATR section was removed from most formations.



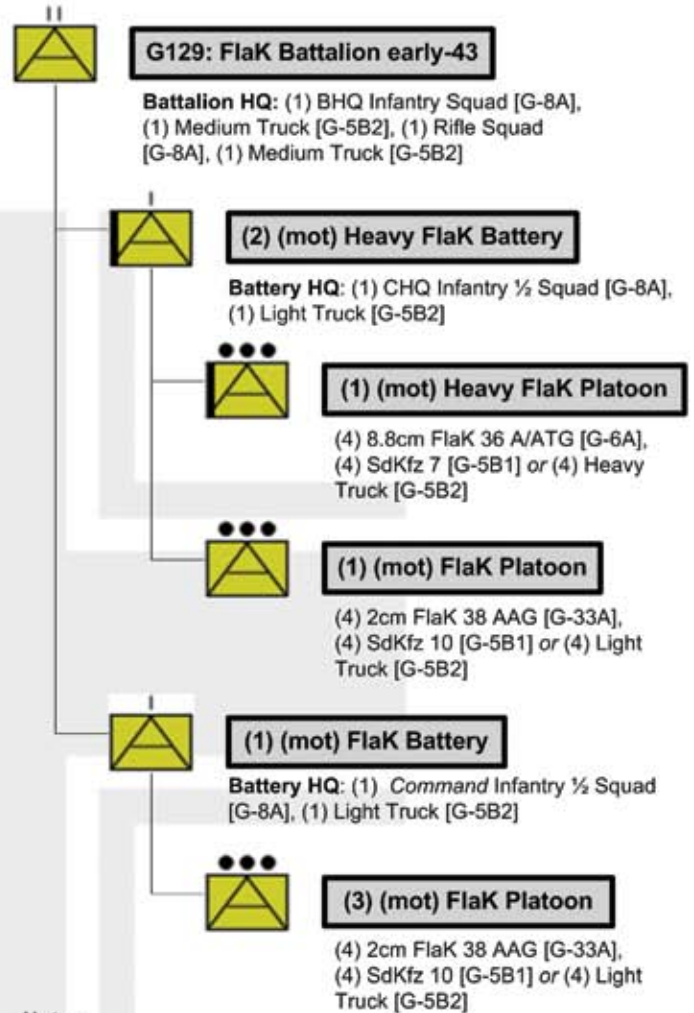
Notes:

- Infantry divisions fielded a single pionier battalion.
- This TO&E denotes the pionier battalion formation for the remainder of the war.
- Some pionier battalions fielded a third pionier company instead of the pionier (B/C) company.
- From late-43, all infantry and rifle squads and ½ squads may carry panzerfausts.



Notes:

- Volksgrenadier divisions fielded a single pionier battalion.
- This TO&E denotes the volksgrenadier pionier battalion formation for the remainder of the war.
- All infantry and rifle squads and ½ squads may carry panzerfausts.



Notes:

- Panzer and panzergrenadier divisions fielded a single flak battalion.



TO&E Key






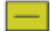
Basic Formation Type

These basic formation types are displayed individually or combined to form other types, e.g., armored infantry.

-  Tank, armor
-  Infantry
-  Anti-tank
-  Reconnaissance
-  Gun, artillery
-  Anti-aircraft
-  Engineer, sapper, pioneer
-  Bridging
-  Transport

Formation Type Modifier

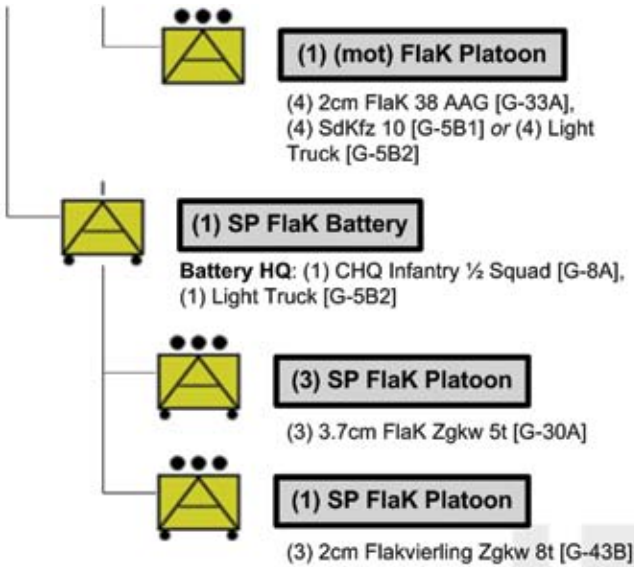
These type modifiers are always combined with basic formation types to add specific or unique capabilities.

-  Heavy unit, weapons
-  Motorized
-  Motorcycle
-  Mortar
-  Airborne, parachute
-  Glider

Formation Size

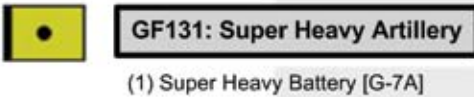
These symbols are found above basic or combined formation types indicating the size of the formation, from the largest, group or front, to the smallest, squad or section.

- XXXXX Group, Front
- XXXX Army
- XXX Corps
- XX Division
- X Brigade
- III Regiment
- II Battalion, squadron (USA)
- I Company, battery, troop (USA),
squadron (UK & France 1940)
- Platoon
- Squad, Section



Notes:

- Panzer and panzergrenadier divisions fielded a single flak battalion.
- This TO&E denotes the flak battalion formation for the remainder of the war.
- The 3.7cm FlaK Zgkw 8t [G-44A] began appearing in late-44 and may substitute for the 3.7cm FlaK Zgkw 5t [G-30A].



Notes:

- Fielded as assets in panzer, (mot) infantry, panzergrenadier, infantry and volks grenadier divisions.



GMT Games, LLC

P.O. Box 1308, Hanford, CA 93232-1308 • www.GMTGames.com