

PANZER

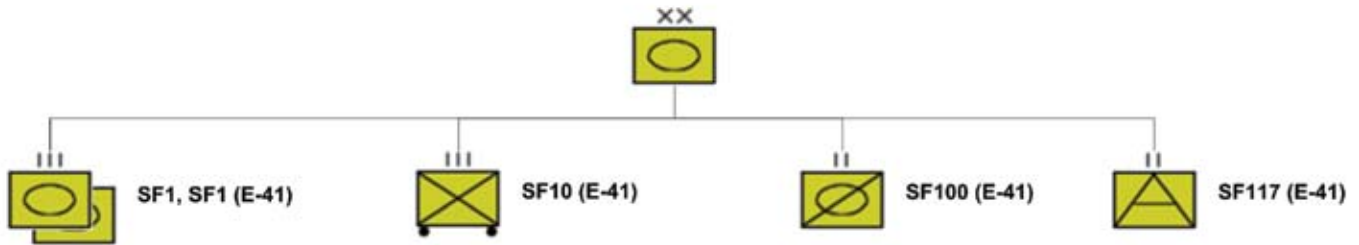
Soviet TO&E



INDEX

Tank Division	2	SF100: Armored Recon Battalion early-41	24
Mechanized Division	3	SF101: Recon Company early-42	24
Tank Corps	4	SF102: Armored Car Battalion mid-42	24
Mechanized Corps	5	SF103: Motorcycle Battalion mid-42	24
Rifle Division	6	SF104: Armored Recon Battalion mid-43	25
Guards Rifle Division	7	SF105: Recon Battalion early-41	25
SF1: Tank Regiment early-41	8	SF106: Recon Company early-42	25
SF2: Tank Brigade early-42	8	SF107: Motorized Recon Company early-42	25
SF3: Tank Brigade mid-42	9	SF108: Anti-Tank Battalion early-41	25
SF4: Tank Brigade mid-43	10	SF109: Anti-Tank Battalion early-42	26
SF5: Heavy Tank Regiment mid-42	11	SF110: Guards SU Battalion early-43	26
SF6: Heavy SU Regiment mid-43	12	SF111: Anti-Tank Regiment mid-43	26
SF7: Mixed SU Regiment early-43	12	SF112: Anti-Tank Battalion mid-43	26
SF8: Light SU Regiment early-43	12	SF113: Sapper Company early-42	27
SF9: SU Regiment early-43	13	SF114: Sapper Battalion early-43	27
SF10: Motorized Rifle Regiment early-41	13	SF115: Sapper Battalion early-41	27
SF11: Motorized Rifle Brigade early-42	14	SF116: Sapper Battalion early-42	27
SF12: Motorized Rifle Brigade late-42	15	SF117: Anti-Aircraft Battalion early-41	27
SF13: Motorized/Mechanized Rifle Brigade early-43	16	SF118: Anti-Aircraft Battalion early-42	28
SF14: Motorized/Mechanized Rifle Brigade early-44	18	SF119: Anti-Aircraft Regiment early-43	28
SF15: Rifle Regiment early-41	19	SF120: Mortar Battalion early-42	28
SF16: Rifle Regiment early-42	20	SF121: Light Artillery Regiment late-44	28
SF17: Rifle Regiment early-43	21	SF122: Heavy Artillery Regiment early-41	28
SF18: Guards Rifle Regiment early-42	21	SF123: Super Heavy Artillery Regiment early-41	28
SF19: Guards Rifle Regiment early-43	22		

Soviet Tank Division early-41 through late-41



Notes:

- The tank division served as an integral part of the pre-war motor-mechanized corps. Two tank divisions were found in each of the twenty-nine motor-mechanized corps. Sixty-one tank divisions were on hand at the start of the war. Nine additional were formed in mid-41. Those tank divisions still on hand at the end of 1941 were disbanded and their component forces reformed into independent mobile groups.

- Artillery assets were fielded in a single artillery regiment of three battalions. The artillery assets are represented as organic batteries in the tank and motorized infantry regiments. Super heavy batteries (SF123) were fielded as corps, army and front level assets. They were allocated to the tank division as dictated by the tactical situation.

- Typical formation grade would be Green or Regulars. Units from the reconnaissance battalion may, at times, be one grade higher.

Basic Formation Type

These basic formation types are displayed individually or combined to form other types, e.g., armored infantry.

	Tank, armor
	Infantry
	Anti-tank
	Reconnaissance
	Gun, artillery
	Anti-aircraft
	Engineer, sapper, pioneer
	Bridging
	Transport

Formation Type Modifier

These type modifiers are always combined with basic formation types to add specific or unique capabilities.

	Heavy unit, weapons
	Motorized
	Motorcycle
	Mortar
	Airborne, parachute
	Glider

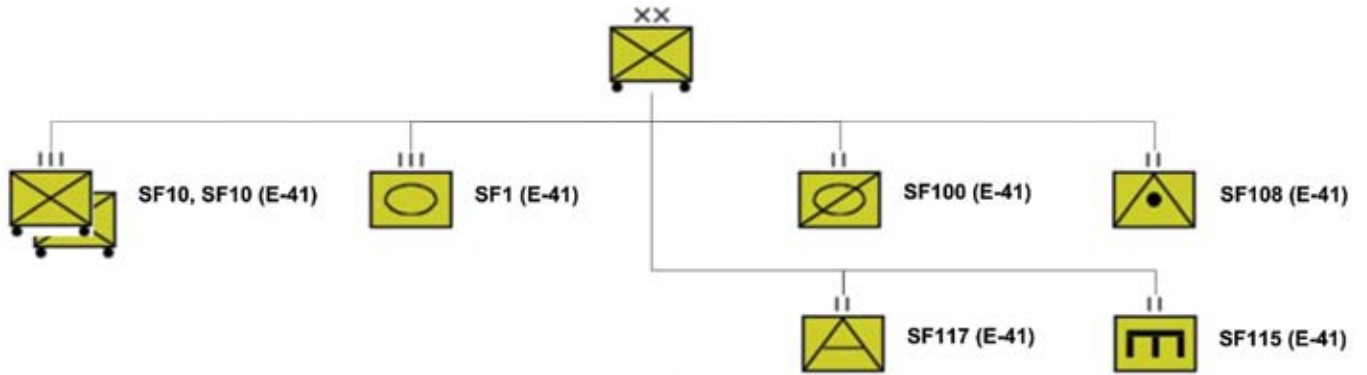
Formation Size

These symbols are found above basic or combined formation types indicating the size of the formation, from the largest, group or front, to the smallest, squad or section.

XXXXXX	Group, Front
XXXX	Army
XXX	Corps
XX	Division
X	Brigade
III	Regiment
II	Battalion, squadron (USA)
I	Company, battery, troop (USA), squadron (UK & France 1940)
•••	Platoon
••	Squad, Section

TO&E Key

Soviet Mechanized Division early-41 through late-41

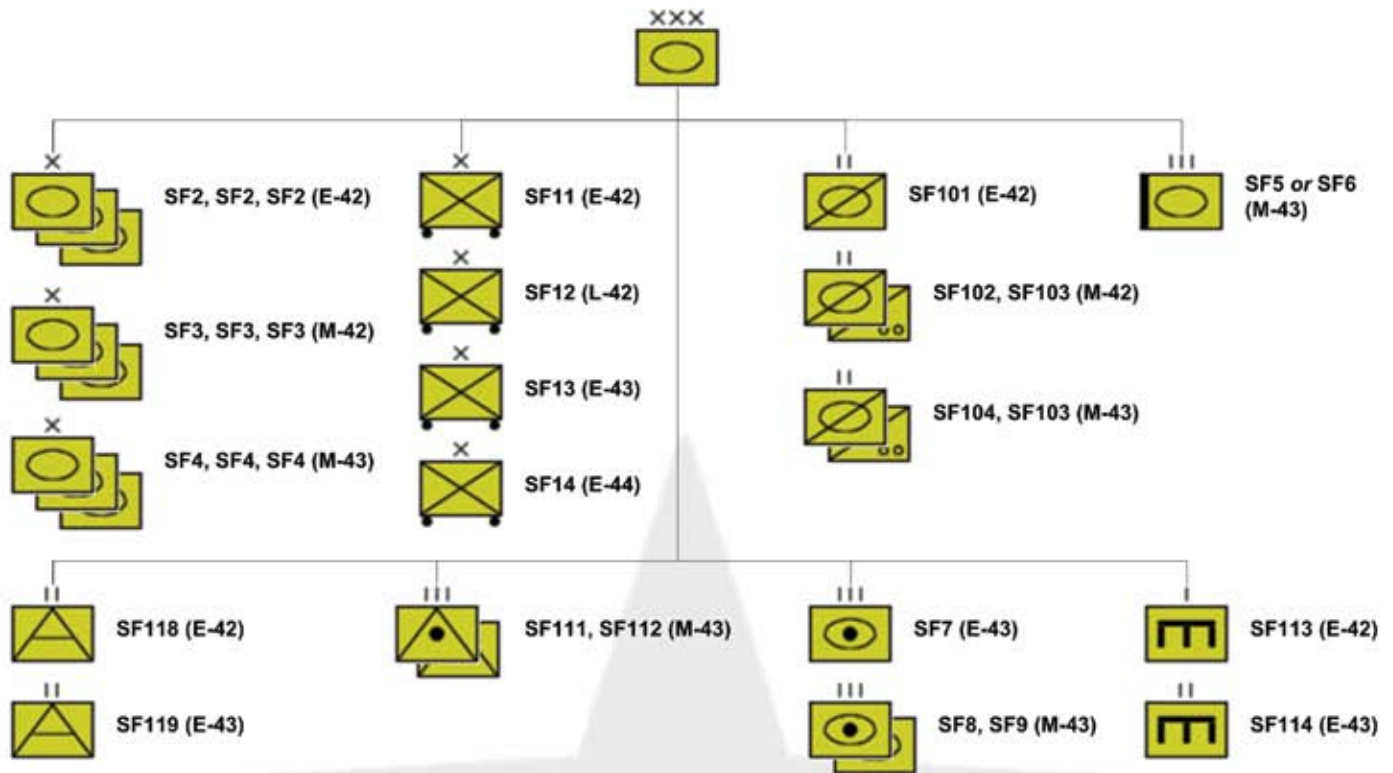


Notes:

- The Mechanized division served as an integral part of the pre-war motor-mechanized corps. A single mechanized division was found in each of the twenty-nine motor-mechanized corps. Thirty-three mechanized divisions were on hand at the start of the war. Those mechanized divisions still on hand at the end of 1941 were disbanded and their component forces reformed into independent mobile groups.

- Artillery assets were fielded in a single artillery regiment of three battalions. The artillery assets are represented as organic batteries in the tank and motorized infantry regiments. Super heavy batteries (SF123) were fielded as corps, army and front level assets. They were allocated to the mechanized division as dictated by the tactical situation.
- Typical formation grade would be Green or Regulars. Units from the reconnaissance battalion may, at times, be one grade higher.

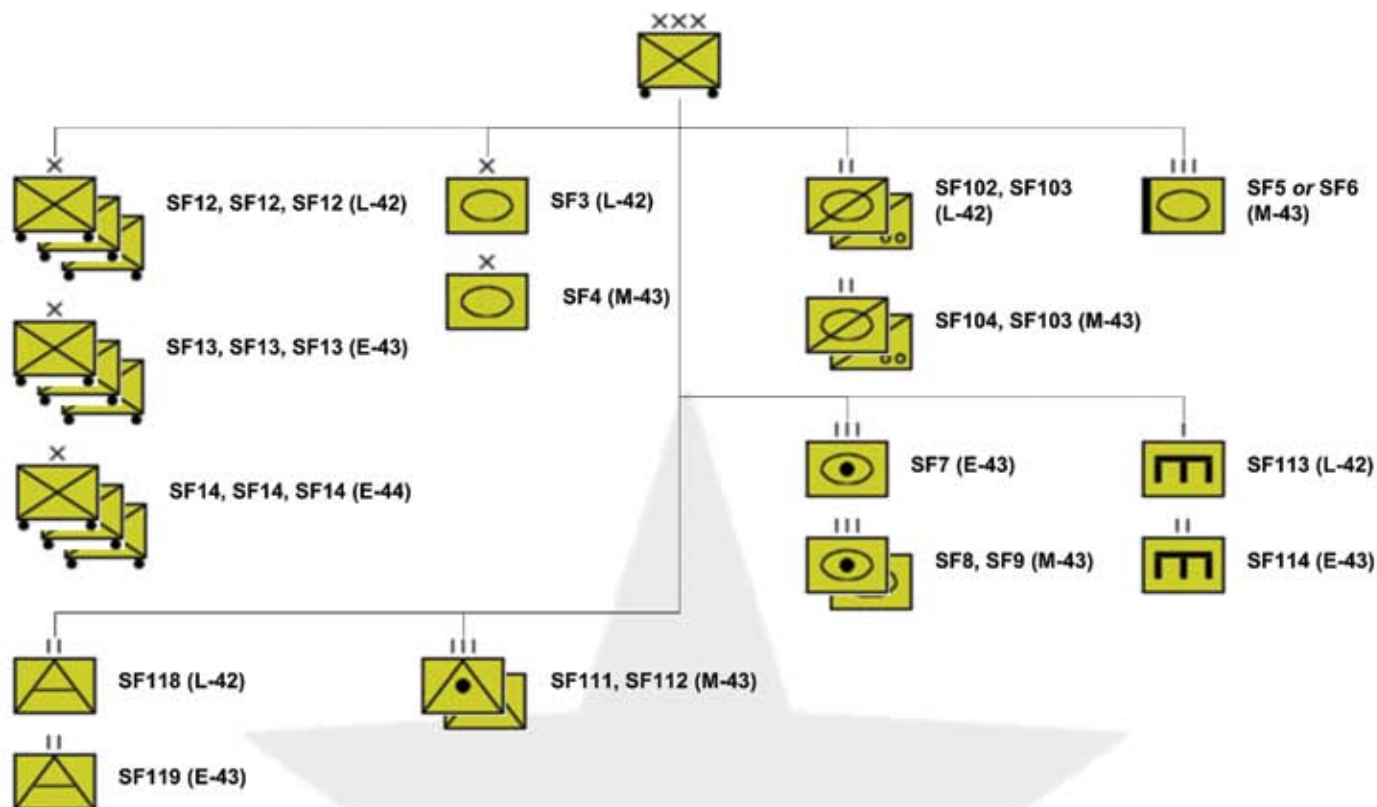
Soviet Tank Corps early-42 through 45

**Notes:**

- The first tank corps were formed in March 1942 from the ad hoc mobile groups that were hastily fielded after the tank and mechanized divisions were either destroyed or disbanded. Not true corps-sized formations in the generally accepted use of the classification, they were essentially division-sized formations. In total, thirty-one tank corps were eventually formed.
- Eleven were formed in early-42, the 1st, 2nd, 3rd, 4th, 5th, 6th, 13th, 21st, 22nd, 23rd and 24th. Fifteen were formed in mid-42, the 7th, 8th, 9th, 10th, 11th, 12th, 14th, 15th, 16th, 17th, 18th, 25th, 26th, 27th and 28th. The final five were formed in early-43, the 19th, 20th, 29th, 30th and 31st.
- While not depicted in the organizational structure, when initially formed, some tank corps fielded just two tank brigades (SF2). By 1943, those tank corps fielded three tank brigades.
- The most significant changes to the formation structure occurred in 1943 starting with the addition of heavy tank regiments (SF5), heavy SU regiments (SF6), light SU regiments (SF8), SU regiments (SF9) and anti-tank regiments (SF111). This formation restructuring is often referred to as the 1943 Tank Corps Standard.
- Twelve tank corps received the guards honorific distinction and were re-designated as guards tank corps. These included the 26th Tank Corps re-designated as 1st Guards Tank Corps in late-42; the 24th as the 2nd in late-42; the 7th as the 3rd in late-42; the 17th as the 4th in early-43; the 4th as the 5th in early-43; the 12th as the 6th in mid-43; the 15th as the 7th in mid-43; the 2nd as the 8th in late-43; the 3rd as the 9th in late-43; the 30th as the 10th in late-43; the 6th as the 11th in late-43; and the 16th as the 12th in late-44.
- Six tank corps were converted to mechanized corps. These included the 27th Tank Corps converted to the 1st Mechanized Corps in late-42; the 8th to the 3rd in late-42; the 28th to the 4th in late-42; the 22nd to the 5th in late-42; the 14th to the 6th in late-42; and the 13th to the 13th in late-42.

- Eight tank corps and three guards tank corps were deployed at the start of the German Operation Zitadelle (Kursk), 1 July 1943, these included the 2nd, 3rd, 6th, 9th, 10th, 16th, 18th and 19th Tank Corps and the 2nd, 4th and 5th Guards Tank Corps. Most of these corps still fielded the SF3 Tank Brigade formation, although the T-34/76 M43 [S-1B] did see action.
- The anti-tank battalion (SF112) was added as a direct result of encounters with the new German Tiger tanks.
- In 1944, some tank corps, especially guards units, fielded both a heavy tank regiment and a heavy SU regiment.
- Gun and howitzer artillery assets were fielded within the brigades as brigade level assets. In addition, the tank corps fielded a heavy mortar regiment and a guards mortar battalion (actually rocket artillery). These artillery assets are represented as organic and attached batteries in the tank and motorized infantry brigades. Starting in late-44, the tank corps added a light artillery regiment (SF121). Heavy (SF122) and super heavy (SF123) batteries were fielded as army and front level assets. They were allocated to the tank corps as dictated by the tactical situation.
- While serving in independent battalions, flamethrower tank units (S-14A) were at times attached to the tank corps.
- For tank corps, typical formation grade would be Green or Regulars in 1942, Regulars or Seasoned in 1943, and Seasoned or Veteran from 1944-1945. Units from the reconnaissance, motorcycle and sapper battalions may, at times, be one grade higher.
- For guards tank corps, typical formation grade would be Seasoned from 1942-1943, and Veteran from 1944-1945. Units from the reconnaissance, motorcycle and sapper battalions may, at times, be one grade higher.

Soviet Mechanized Corps late-42 through 45

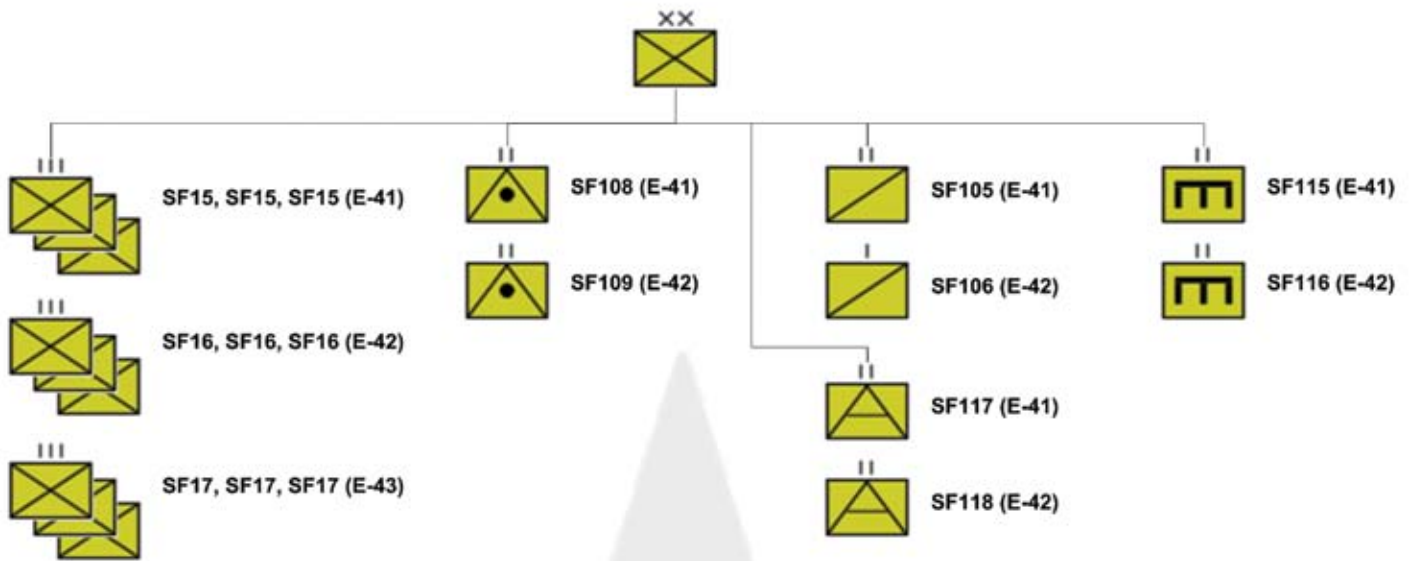


Notes:

- The first mechanized corps were formed in late-1942 by re-designating existing formations. Not true corps-sized formations in the generally accepted use of the classification, they were essentially division-sized formations. In total, ten mechanized corps were eventually formed.
- Seven were formed in late-42, the 1st, 2nd, 3rd, 4th, 5th, 6th, and 13th. The final three were formed in early-43, the 7th, 8th, and 9th.
- While not depicted in the organizational structure, when initially formed, some mechanized corps fielded two tank regiments instead of the single tank brigade (SF3). These tank regiments were similar in structure to the tank regiments fielded in the mechanized brigades (SF12). By the end of 1943, all mechanized corps had replaced the two tank regiments with a single tank brigade.
- The most significant changes to the formation structure occurred in 1943 starting with the addition of heavy tank regiments (SF5), heavy SU regiments (SF6), light SU regiments (SF8), SU regiments (SF9) and anti-tank regiments (SF111). This formation restructuring is often referred to as the 1943 Mechanized Corps Standard.
- Six mechanized corps received the guards honorific distinction and were re-designated as guards mechanized corps. These included the 4th Mechanized Corps re-designated as 3rd Guards Mechanized Corps in late-42; the 13th as the 4th in early-43; the 6th as the 5th in early-43; the 2nd as the 7th in mid-43; the 3rd as the 8th in late-43; and the 5th as the 9th in late-44. The 1st Guards Mechanized Corps evolved from the 1st Guards Rifle Division; the 2nd from the 22nd; and the 6th from the 3rd.
- Two mechanized corps and one guards mechanized corps were deployed at the start of the German Operation Zitadelle (Kursk), 1 July 1943, these included the 1st and 3rd Mechanized Corps and the 5th Guards Mechanized Corps. These corps still fielded the SF3 Tank Brigade formation, although the T-34/76 M43 [S-1B] did see limited action with these units.

- The anti-tank battalion (SF112) was added as a direct result of encounters with the new German Tiger tanks.
- In 1944, some mechanized corps, especially guards units, fielded both a heavy tank regiment and a heavy SU regiment.
- Gun and howitzer artillery assets were fielded within the brigades as brigade level assets. In addition, the mechanized corps fielded a heavy mortar regiment and a guards mortar battalion (actually rocket artillery). These artillery assets are represented as organic and attached batteries in the tank and motorized infantry brigades. Starting in mid-44, the mechanized corps added a light artillery regiment (SF121). Heavy (SF122) and super heavy (SF123) batteries were fielded as army and front level assets. They were allocated to the mechanized corps as dictated by the tactical situation.
- While serving in independent battalions, flamethrower tank units (S-14A) were at times attached to the mechanized corps.
- For mechanized corps, typical formation grade would be Green or Regulars in 1942, Regulars or Seasoned in 1943, and Seasoned or Veteran from 1944-1945. Units from the reconnaissance, motorcycle and sapper battalions may, at times, be one grade higher.
- For guards mechanized corps, typical formation grade would be Seasoned from 1942-1943, and Veteran from 1944-1945. Units from the reconnaissance, motorcycle and sapper battalions may, at times, be one grade higher.

Soviet Rifle Division early-41 through 45

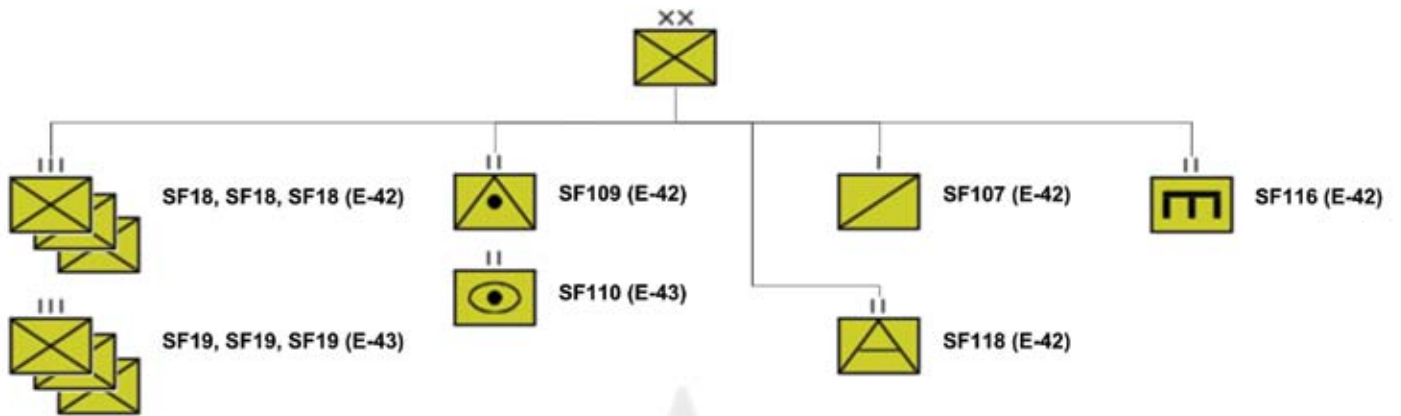


Notes:

- From its initial formation, the rifle division retained the same basic structure throughout the war. Five hundred and seventeen rifle divisions were under arms at the close of the war.
- Artillery assets were fielded within the infantry regiments and in a single artillery regiment of two battalions (later three battalions). The artillery assets are represented as attached and organic batteries in the infantry regiments. Starting in early-42, the rifle division added a mortar battalion (SF120). Heavy (SF122) and super heavy (SF123) batteries were fielded as corps, army and front level assets. They were allocated to the rifle division as dictated by the tactical situation.

- Typical formation grade would be Green, Regulars or Seasoned in 1941, Regulars or Seasoned from 1942-1943, and Seasoned or Veteran from 1944-1945. Units from the reconnaissance and sapper units may, at times, be one grade higher.

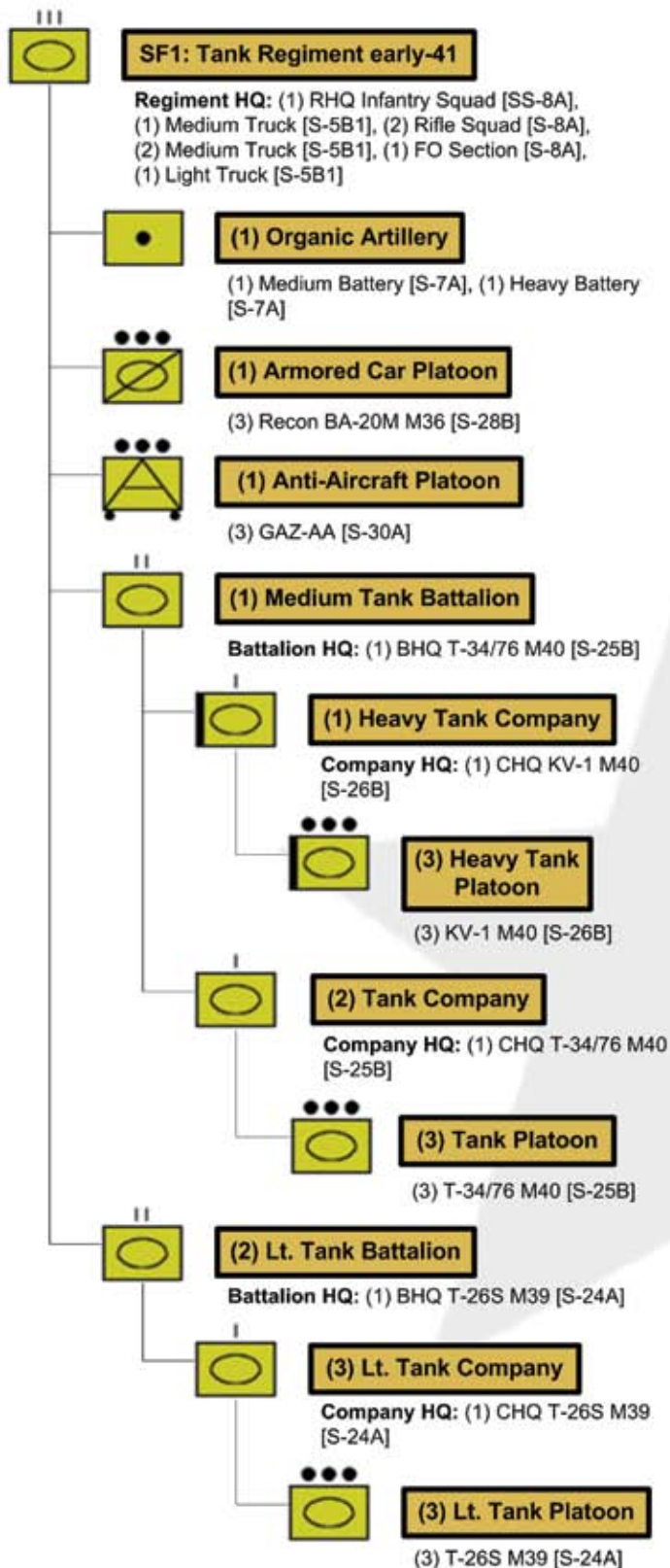
Soviet Guards Rifle Division early-42 through 45



Notes:

- The guards honorific distinction was initially awarded to those rifle divisions that had demonstrated some degree of reliability in the first actions against the invading Germans. As the war progressed, additional units were awarded the guards badge for actions against the German forces. One hundred and fifteen guards rifle divisions were formed.
- From early-43, either an anti-tank battalion (SF109) or a guards SU battalion (SF110) was fielded.

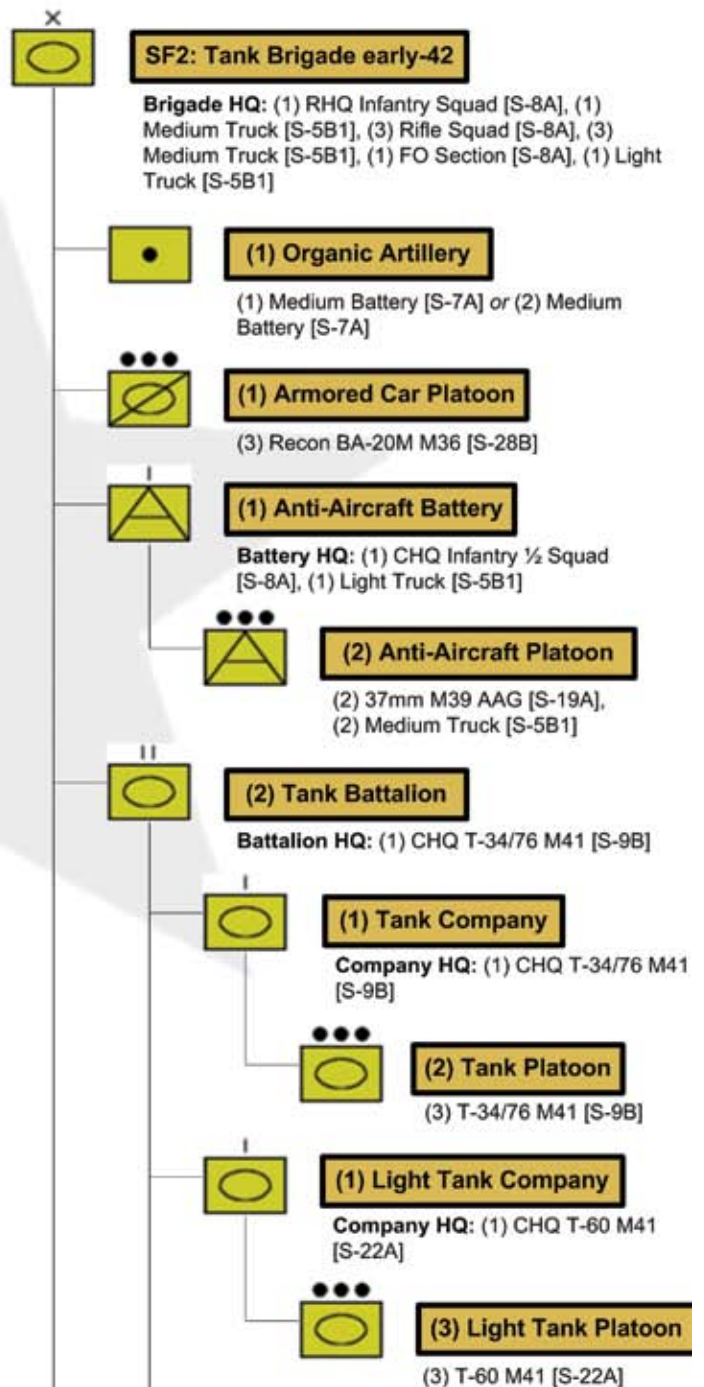
- Artillery assets were fielded within the infantry regiments and in a single artillery regiment of three battalions. The artillery assets are represented as attached and organic batteries in the infantry regiments. Starting in early-42, the rifle division added a mortar battalion (SF120). Heavy (SF122) and super heavy (SF123) batteries were fielded as corps, army and front level assets. They were allocated to the guards rifle division as dictated by the tactical situation.
- Typical formation grade would be Seasoned or Veteran from 1942-1945. Units from the reconnaissance and sapper units may, at times, be one grade higher.

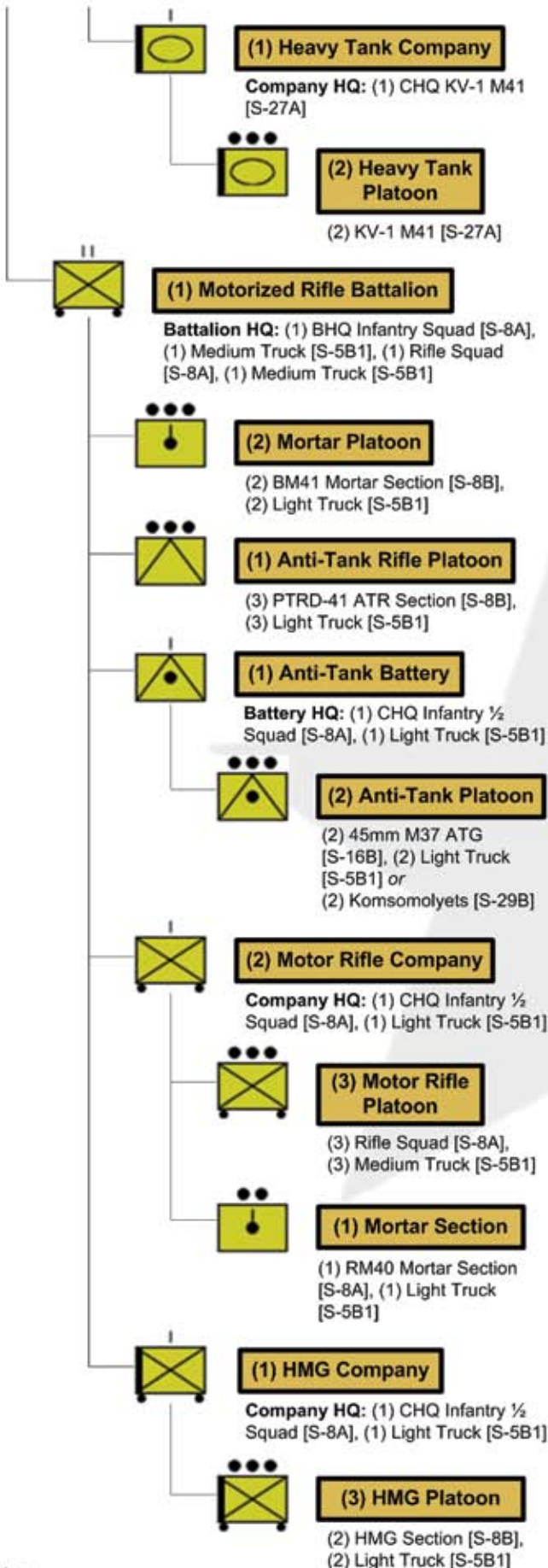
**Notes:**

- Tank divisions fielded two tank regiments. Mechanized divisions fielded a single tank regiment composed entirely of light tanks.
- In late-1941, all remaining tank and mechanized divisions were disbanded and replaced by tank and mechanized/motor rifle brigades.
- The BT-7 M37 [S-22B], BT-7A M37 [S-23A] or BT-8 M38 [S-23B] may substitute for the T-26S M39 [S-24A].
- The BT-7A M37 [S-23A] artillery tank was not a standard component of all light tank companies; it was not fielded in T-26S M39 companies.

Notes, continued:

- The T-34/76 M41 [S-9B] began appearing in mid-41 and may substitute for the T-34/76 M40 [S-25B].
- The KV-1 M41 [S-27A] began appearing in mid-41 and may substitute for the KV-1 M40 [S-26B].
- Medium tank battalions also fielded the T-28 M34 [S-24B] and the T-28E M38 [S-25A] in place of the T-34/76 companies. It was not uncommon to find medium tank battalions with both T-28 and T-34/76 companies. Companies fielded the same model of tank.
- The T-35 M35 [S-26A] was fielded only by the 34th Tank Division. Its 68th Tank Regiment fielded 50 of the heavy tanks in a single oversized battalion. The 68th Tank Regiment fielded three other battalions of T-34/76 and light tanks. The division's other tank regiment, the 67th, fielded 51 KV-1 heavy tanks in one battalion with three other battalions of T-34/76 and light tanks.



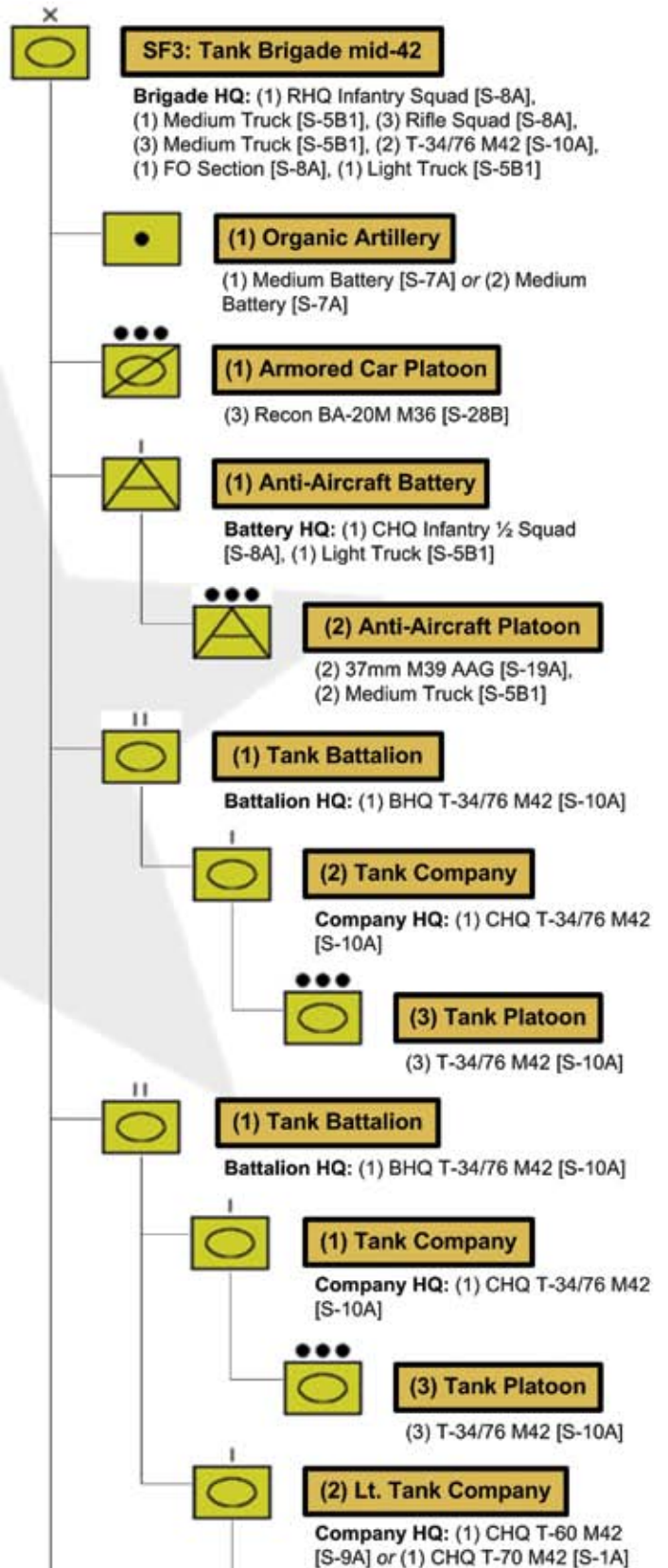


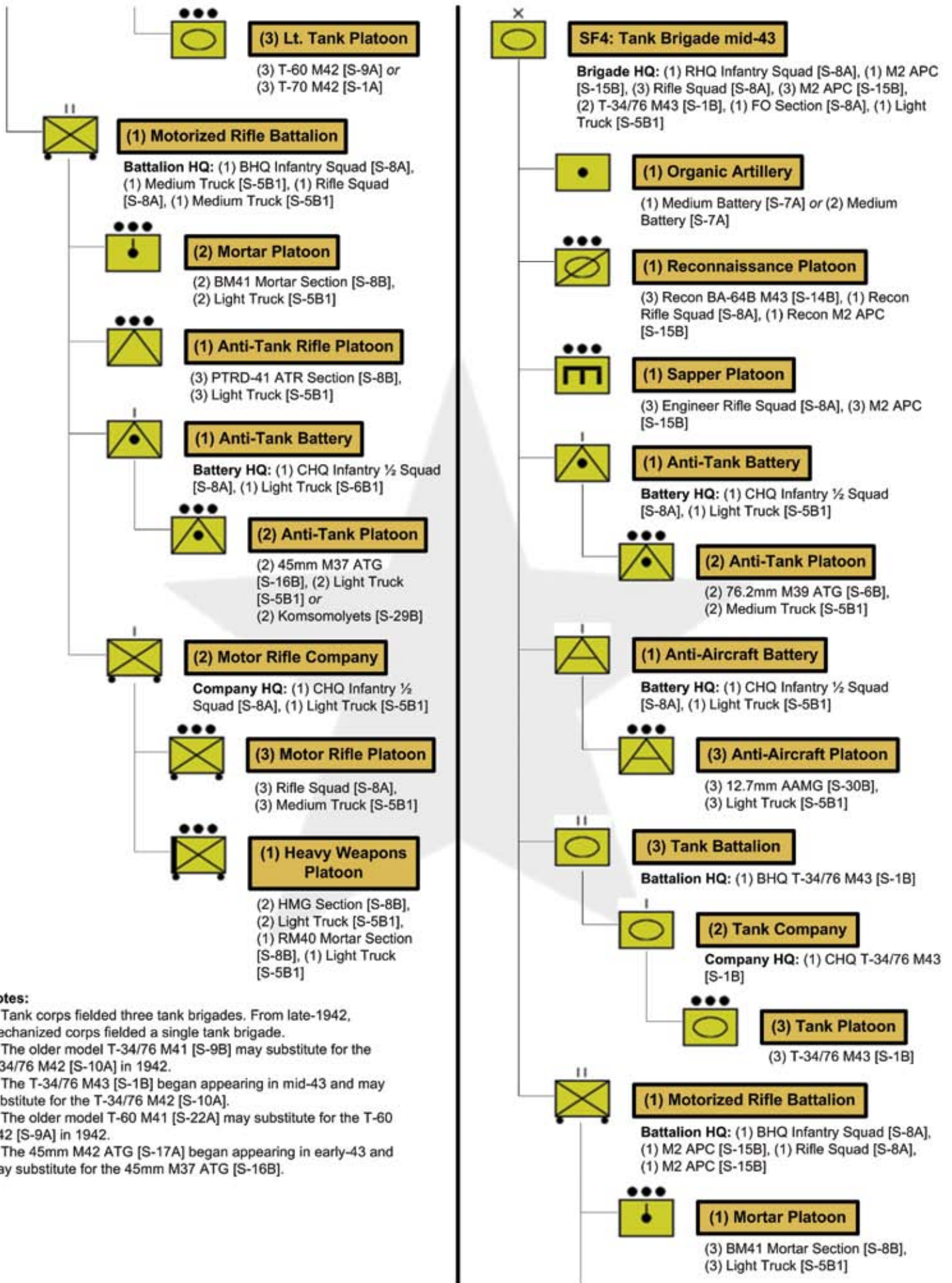
Notes:

- Tank corps fielded three tank brigades.
- The older model T-34/76 M40 [S-25B] may substitute for the T-34/76 M41 [S-9B] in 1941.

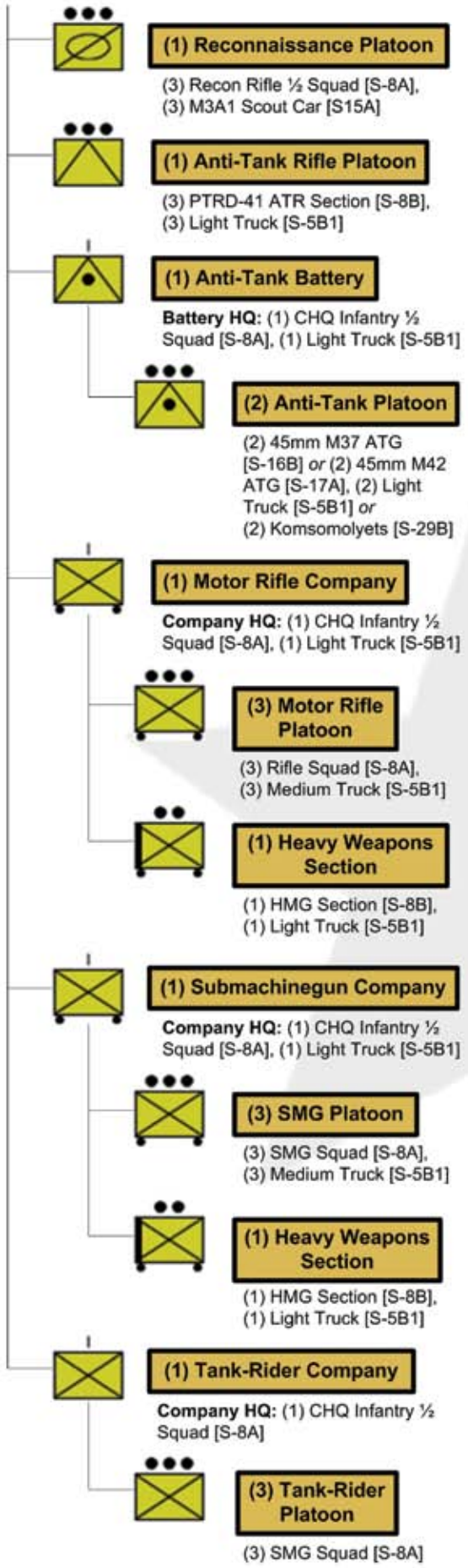
Notes, continued:

- The older model KV-1 M40 [S-26B] or KV-2 M41 [S-11A] may substitute for the KV-1 M41 [S-27A].
- The older model T-26S M39 [S-24A], BT-7 M37 [S-22B], or BT-8 M38 [S-23B] may substitute for the T-60 M41 [S-22A].
- The T-70 M42 [S-1A] light tank began appearing in early-1942 and may substitute for the T-60 M41 [S-22A].



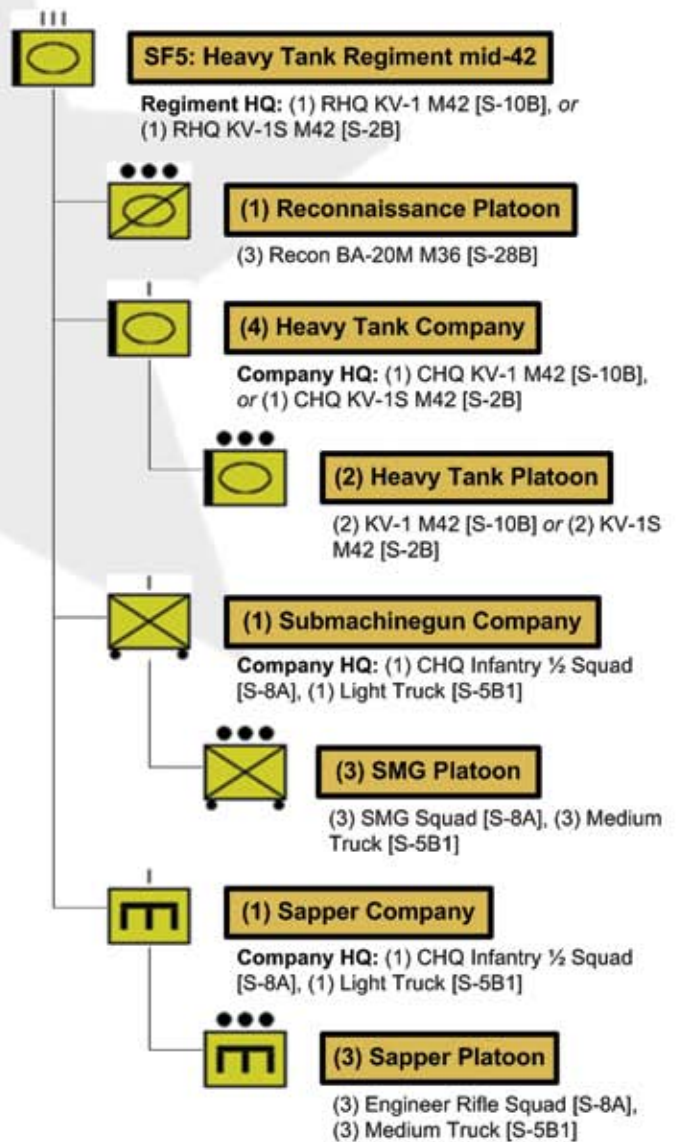
**Notes:**

- Tank corps fielded three tank brigades. From late-1942, mechanized corps fielded a single tank brigade.
- The older model T-34/76 M41 [S-9B] may substitute for the T-34/76 M42 [S-10A] in 1942.
- The T-34/76 M43 [S-1B] began appearing in mid-43 and may substitute for the T-34/76 M42 [S-10A].
- The older model T-60 M41 [S-22A] may substitute for the T-60 M42 [S-9A] in 1942.
- The 45mm M42 ATG [S-17A] began appearing in early-43 and may substitute for the 45mm M37 ATG [S-16B].



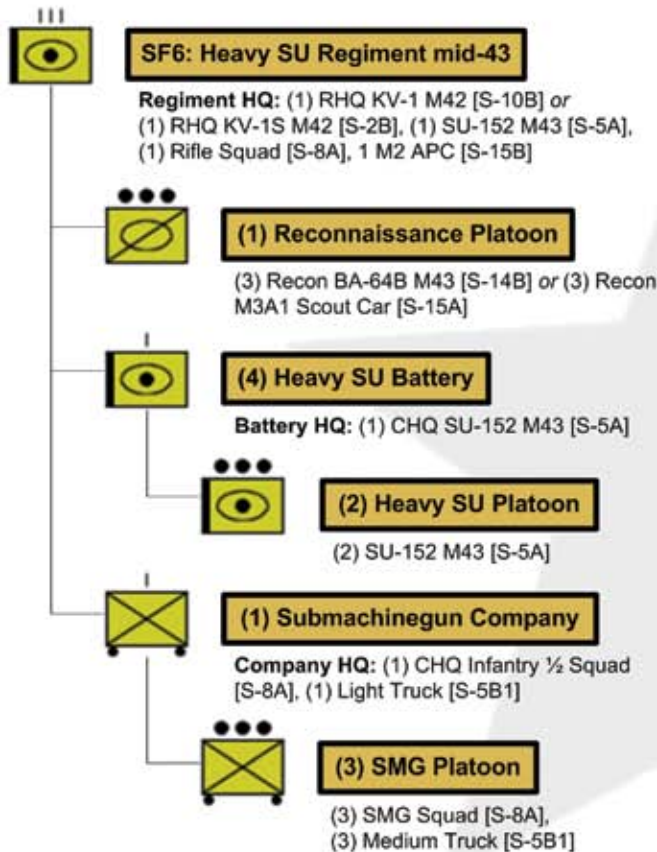
Notes:

- Tank corps fielded three tank brigades. Mechanized corps fielded a single tank brigade.
- This TO&E denotes the tank brigade formation for the remainder of the war.
- Older models of the T-34/76 M41 [S-9B] or T-34/76 M42 [S-9A] may substitute for the T-34/76 M43 [S-1B] in 1943.
- The T-34/85 M44 [S-2A] began appearing in early-1944 and may substitute for the T-34/76 M43 [S-1B]. All tank battalions in a tank brigade fielded the same tank model.
- The brigade-level anti-aircraft battery may be replaced by a single anti-aircraft platoon of (3) M17 MGMC [S-16A].
- The 57mm ZIS-2 M43 ATG [S-6A] may substitute for the 76.2mm M39 ATG [S-6B], 45mm M37 ATG [S-16B] or 45mm M42 ATG [S-17A].
- The 85mm M44 ATG [S-18A] began appearing in early-44 and may substitute for the 76.2mm M39 ATG [S-6B].
- The 100mm M44 ATG [S-18B] began appearing in early-45 and may substitute for the 76.2mm M39 ATG [S-6B].
- The anti-tank rifle platoon was dropped from many of the motorized rifle battalions by 1944.
- Motorized rifle battalions may field any mix of three rifle, submachinegun, and tank-rider companies.
- The tank-rider company accompanied tank units as transported infantry support.
- From late-43, one-third of the rifle squads in motor rifle companies carry M1 Bazookas.



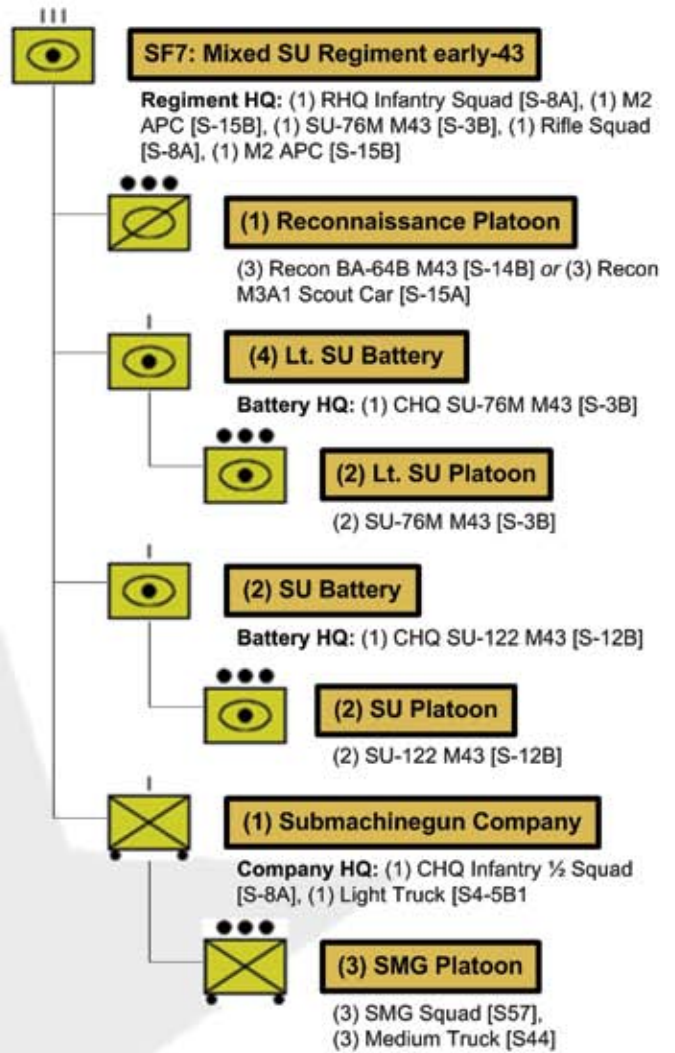
Notes:

- Throughout the war, heavy tank regiments served as independent formations. From mid-1943, a single heavy tank regiment or a heavy SU regiment was permanently attached to tank and mechanized corps.
- This TO&E denotes the heavy tank regiment formation for the remainder of the war.
- Elite heavy tank regiments were often fielded in Guards Heavy Tank Brigades of three heavy tank regiments and supporting units.
- The older model KV-1 M41 [S-27A] or KV-2 M41 [S-11A] may substitute for the KV-1 M42 [S-10B] or KV-1S M42 [S-2B] in 1942.
- The KV-85 M43 [S-11B] began appearing in late-1943, the IS-2m M44 [S-3A] in early-1944, and the IS-3 M45 [S-12A] in early-1945. All may substitute for the KV-1 M42 [S-27A] or KV-1S M42 [S-2B].
- The BA-64B M43 [S-14B] and the M3A1 Scout Car [S-15A] both began appearing in early-1943 and may substitute for the BA-20M M36 [S-28B].
- All companies in a heavy tank regiment fielded the same model tank.



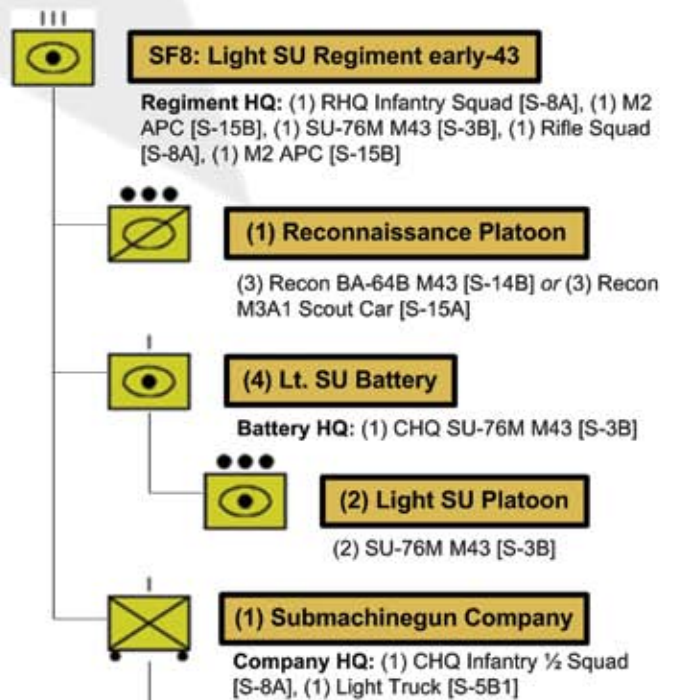
Notes:

- Throughout the war, heavy SU regiments served as independent formations. From mid-1943, a single heavy SU regiment or a heavy tank regiment was permanently attached to tank and mechanized corps.
- This TO&E denotes the heavy SU regiment formation for the remainder of the war.
- Elite heavy SU regiments were often fielded in Guards Heavy SU Brigades of three heavy SU regiments and supporting units.
- The ISU-152 M44 [S-13A] and the ISU-122 M44 [S-13B] both began appearing in early-1944 and may substitute for the SU-152 M43 [S-5A].
- All batteries in a heavy SU regiment fielded the same model assault gun.



Notes:

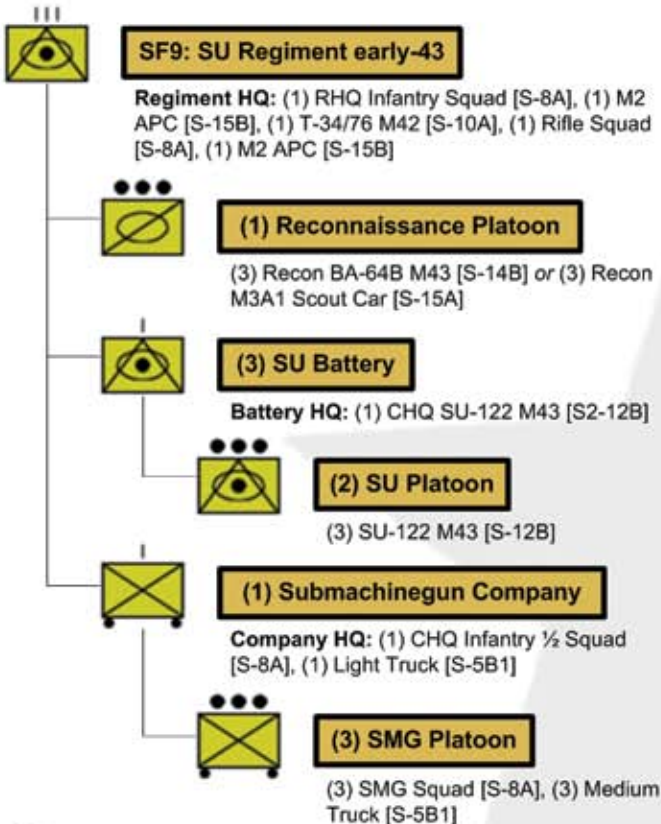
- Mixed SU regiments were disbanded after 1943.
- In early-1943, a single mixed SU regiment was attached to tank and mechanized corps.





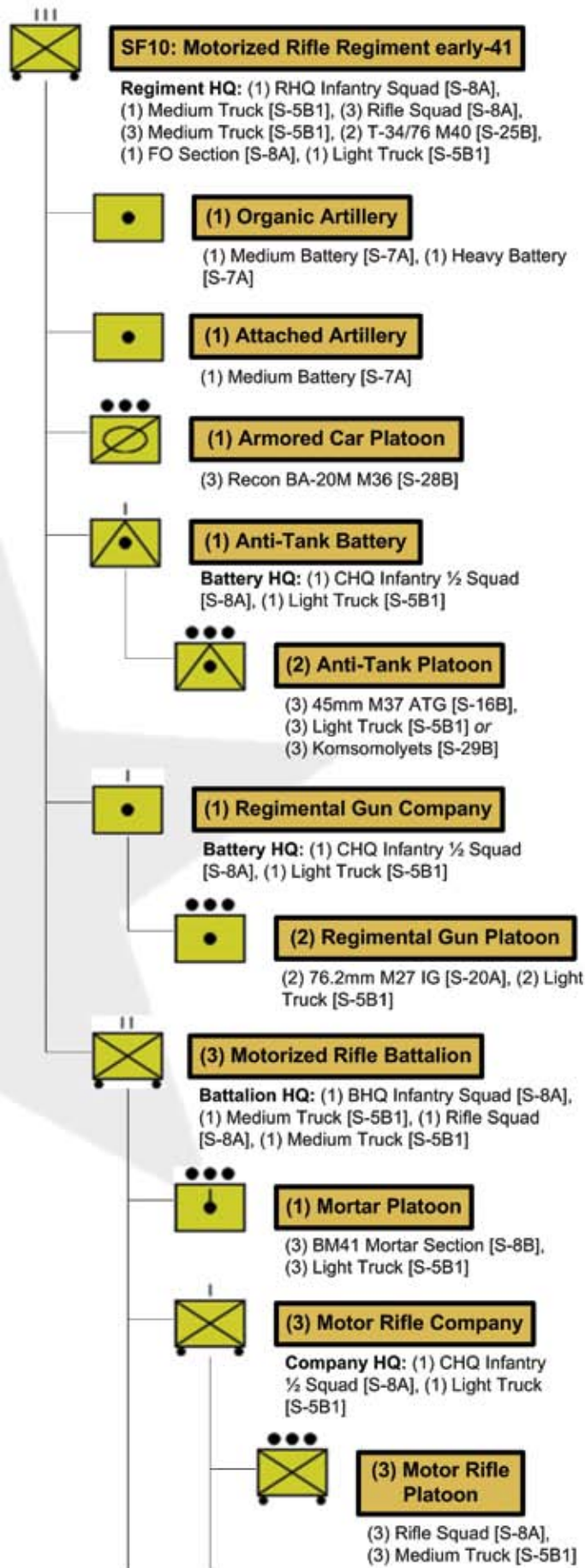
Notes:

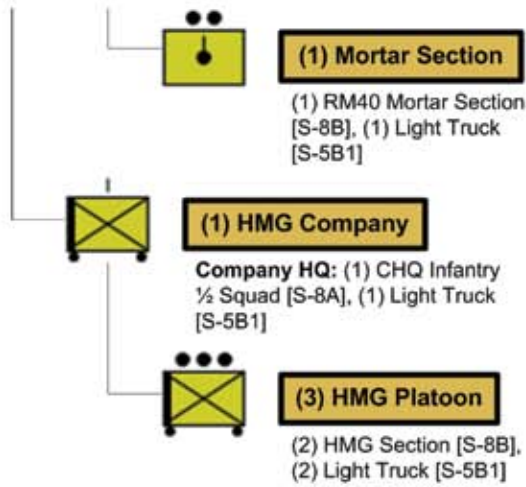
- Throughout the war, light SU regiments served as independent formations. From mid-43, a single light SU regiment was attached to tank and mechanized corps.
- This TO&E denotes the light SU regiment formation for the remainder of the war.
- The SU-57 M43 [S-27B] began appearing in late-43 and may substitute for the SU-76M M43 [S-3B]. The SU-57 M43 [S-27B] typically served in independent formations or independent SU brigades of three regiments and supporting units.



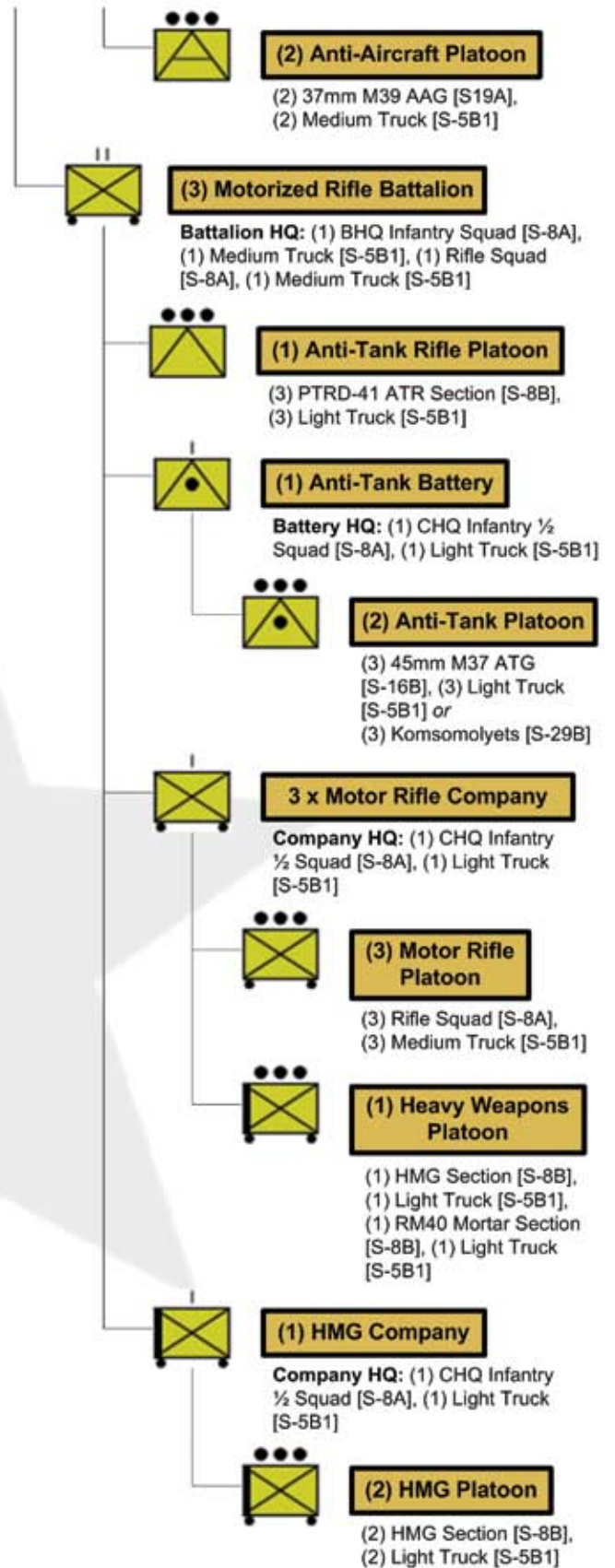
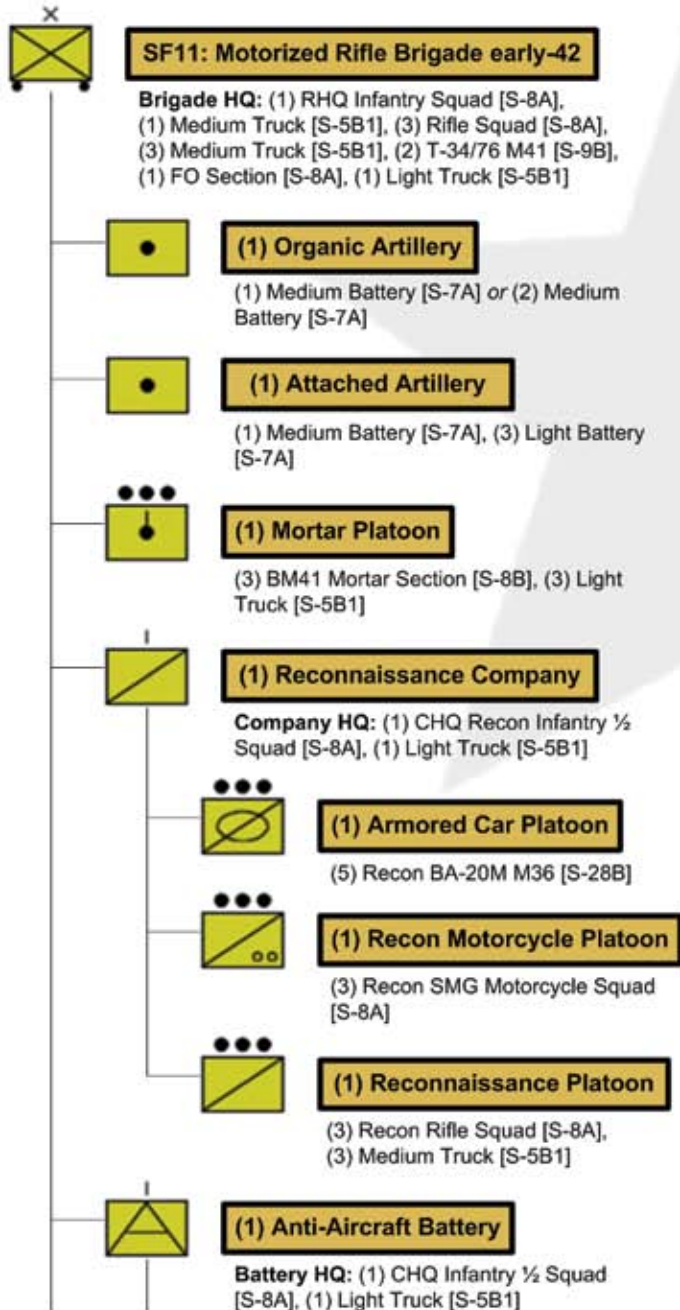
Notes:

- Throughout the war, SU regiments served as independent formations. From mid-43, a single SU regiment was attached to tank and mechanized corps.
- This TO&E denotes the SU regiment formation for the remainder of the war.
- Elite regiments were often fielded in Guards SU Brigades of three regiments and supporting units.
- The SU-85 M43 [S-4A] began appearing in mid-43, the SU-76i M43 [S-28A] in late-43, and the SU-100 M44 [S-4B] in late-44 and all may substitute for the SU-122 M43 [S-12B].
- The T-34/76 M43 [S-1B] began appearing in mid-43 and may substitute for the T-34/76 M42 [S-10A].
- Older models of the T-34/76 may substitute for the T-34/76 M42 [S-10A] in 1943.
- All batteries in a SU regiment fielded the same SU model.

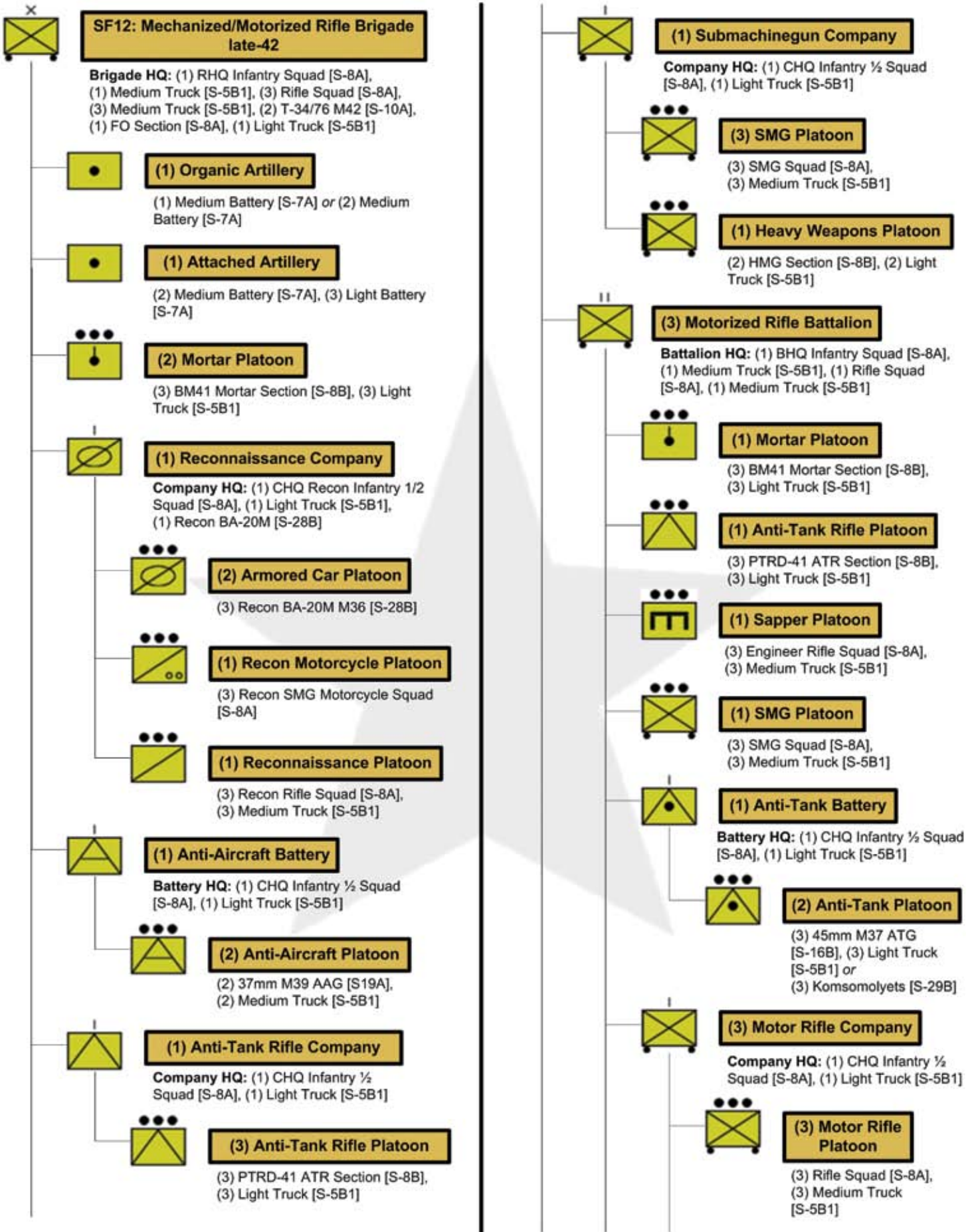


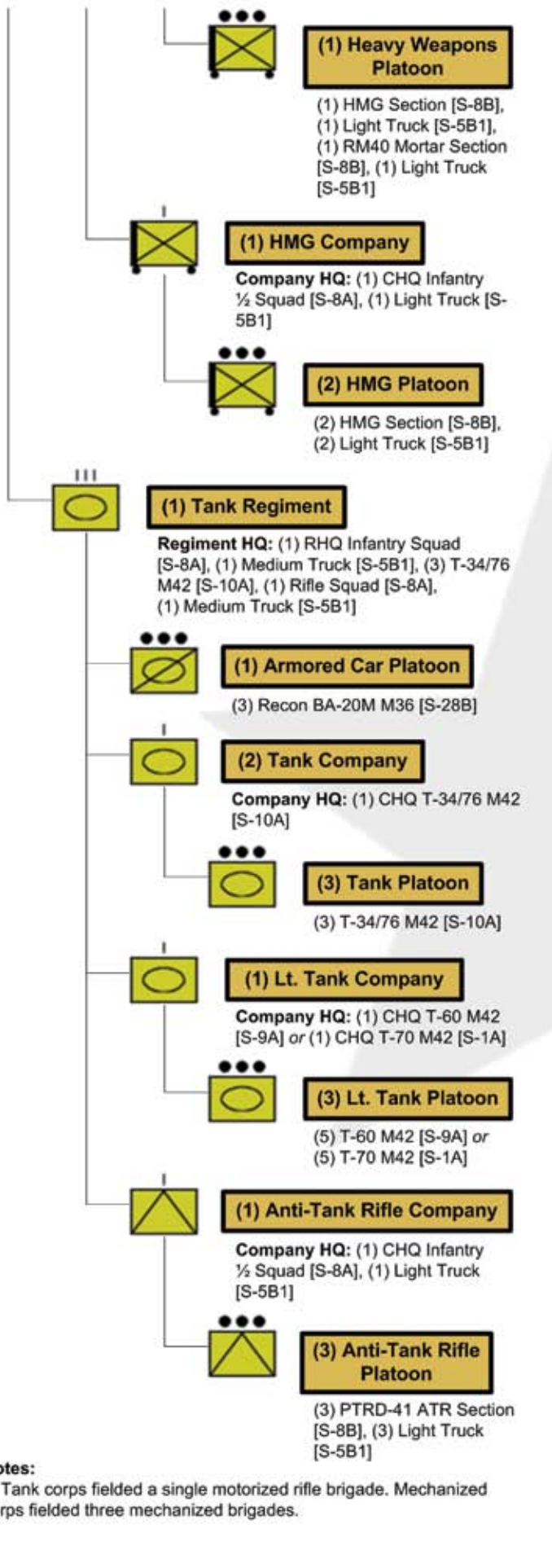


Notes:
 • Tank divisions fielded a single motorized rifle regiment.
 Mechanized divisions fielded two motorized rifle regiments.



Notes:
 • Tank corps fielded a single motorized rifle brigade.



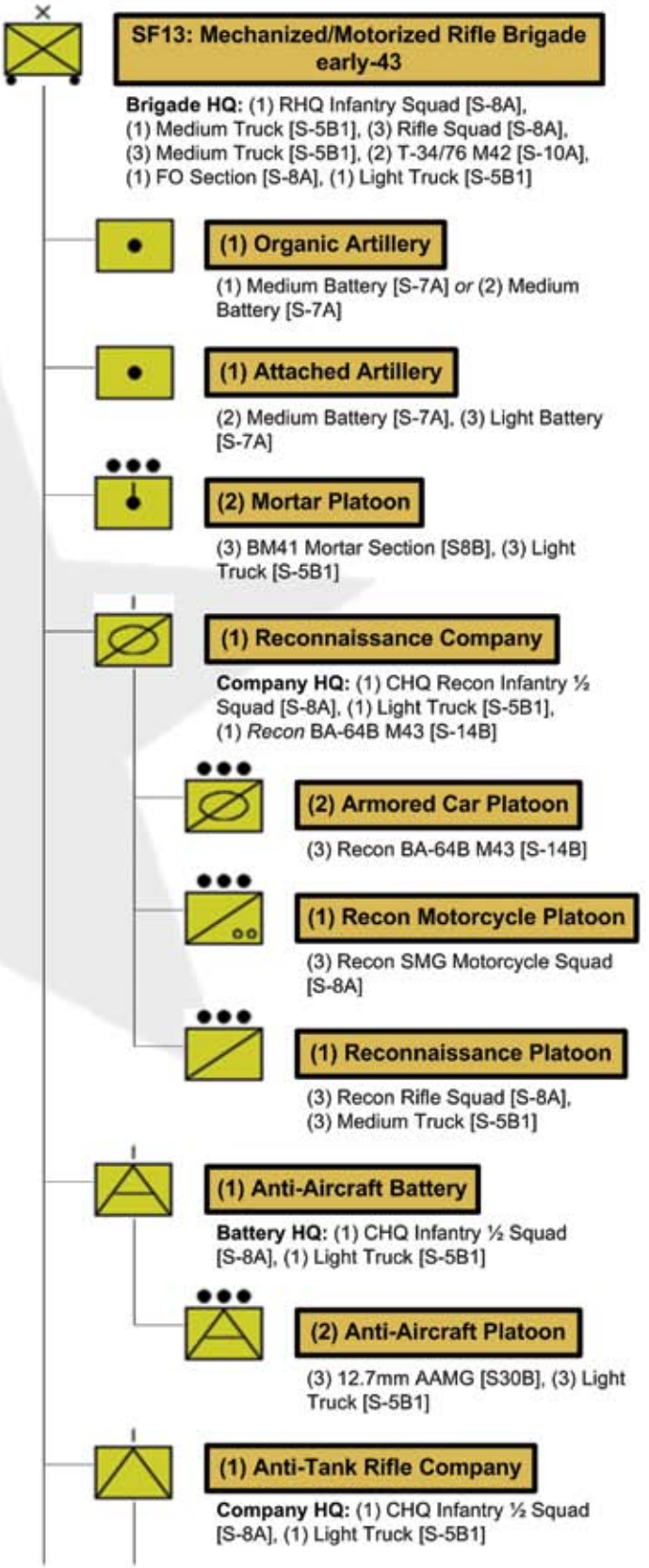


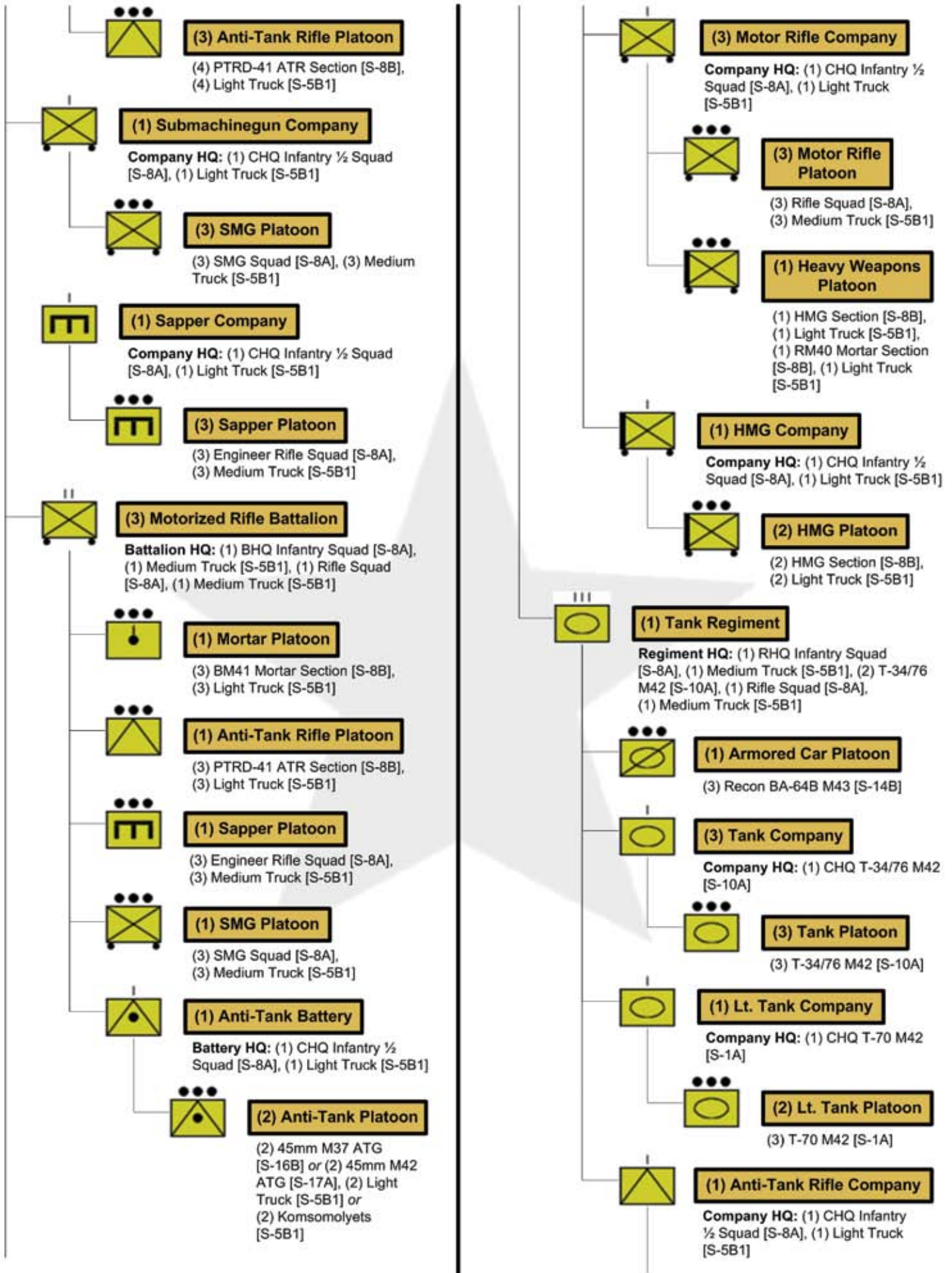
Notes:

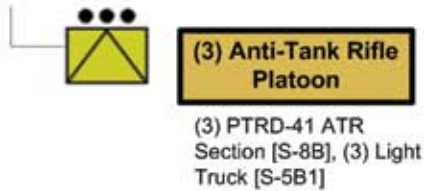
- Tank corps fielded a single motorized rifle brigade. Mechanized corps fielded three mechanized brigades.

Notes, continued:

- The tank regiment was not fielded in motorized rifle brigades; mechanized and motorized rifle brigades are similar in all other respects.
- The older model T-34/76 M41 [S-9B] may substitute for the T-34/76 M42 [S-10A].
- The older model T-60 M41 [S-22A] may substitute for the T-60 M42 [S4] or T-70 M42 [S-9A].

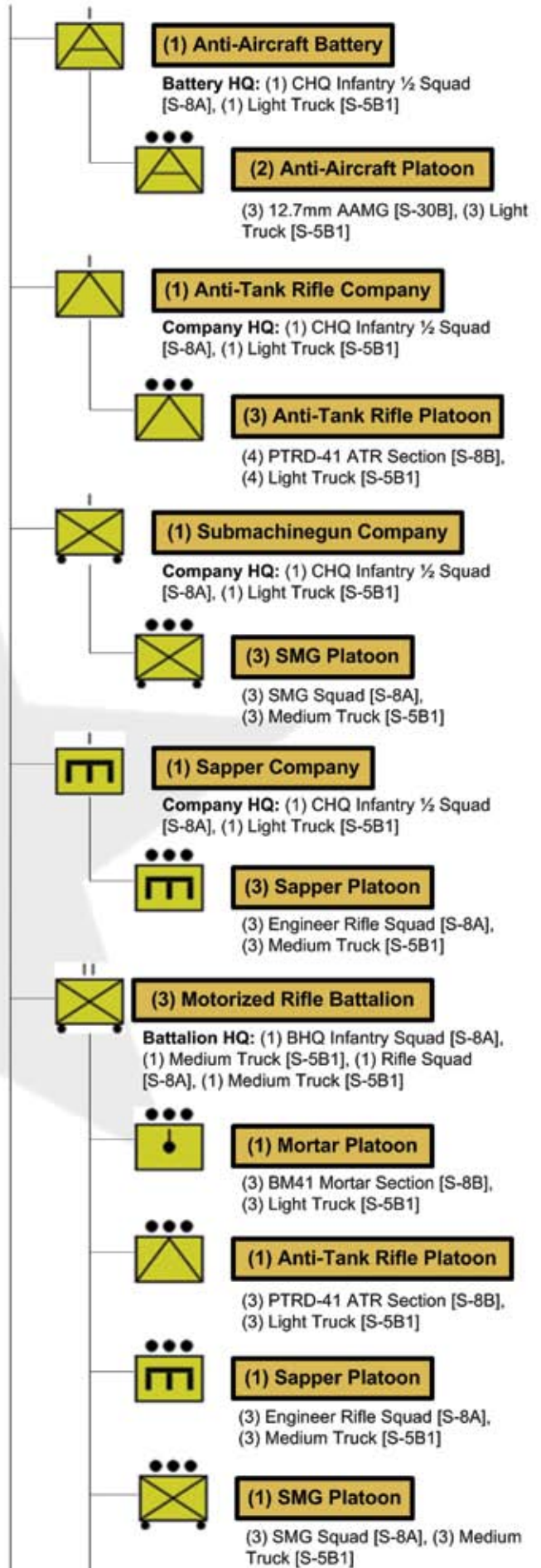
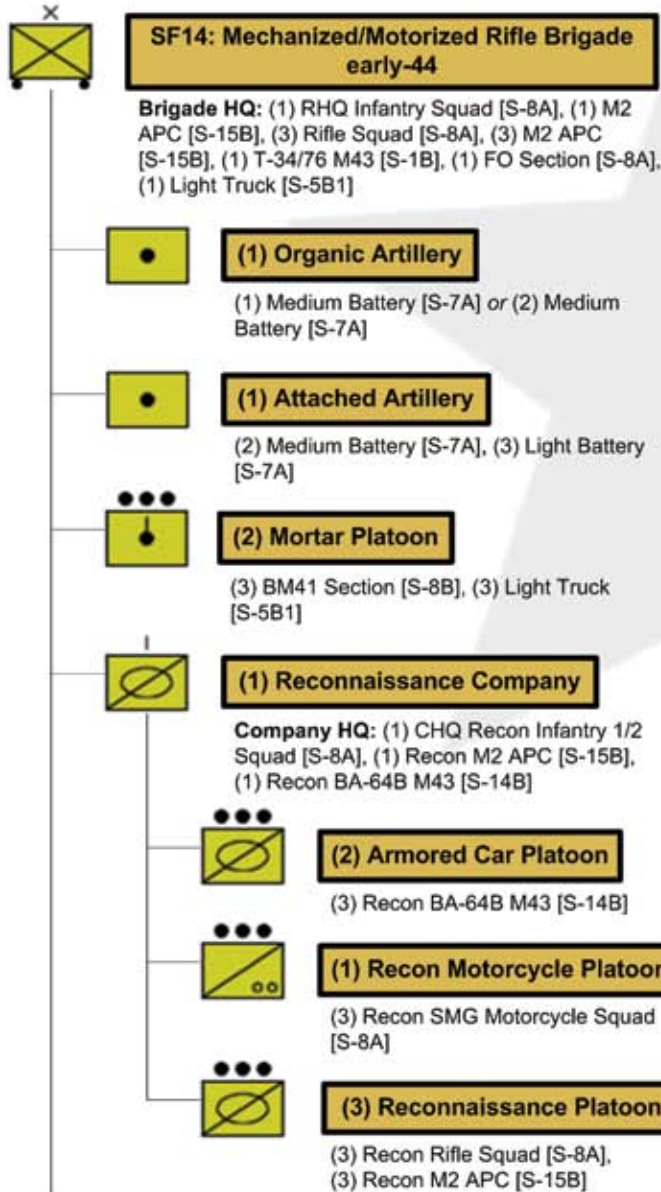


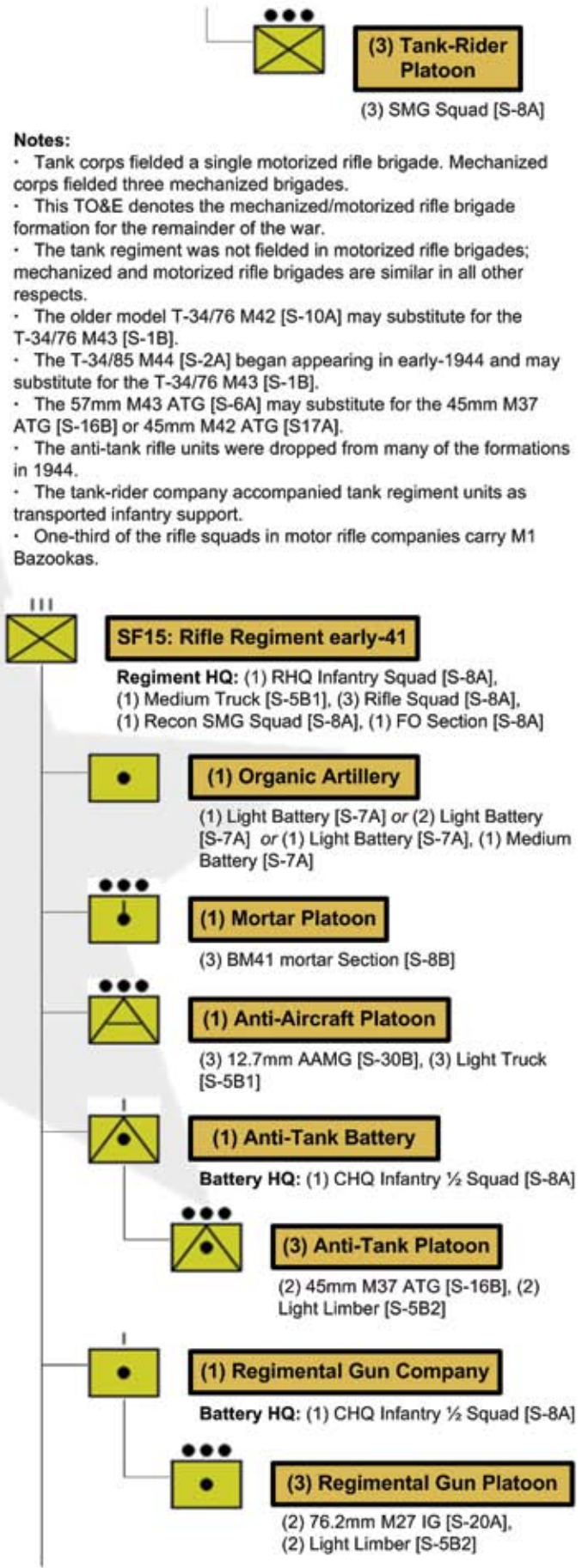
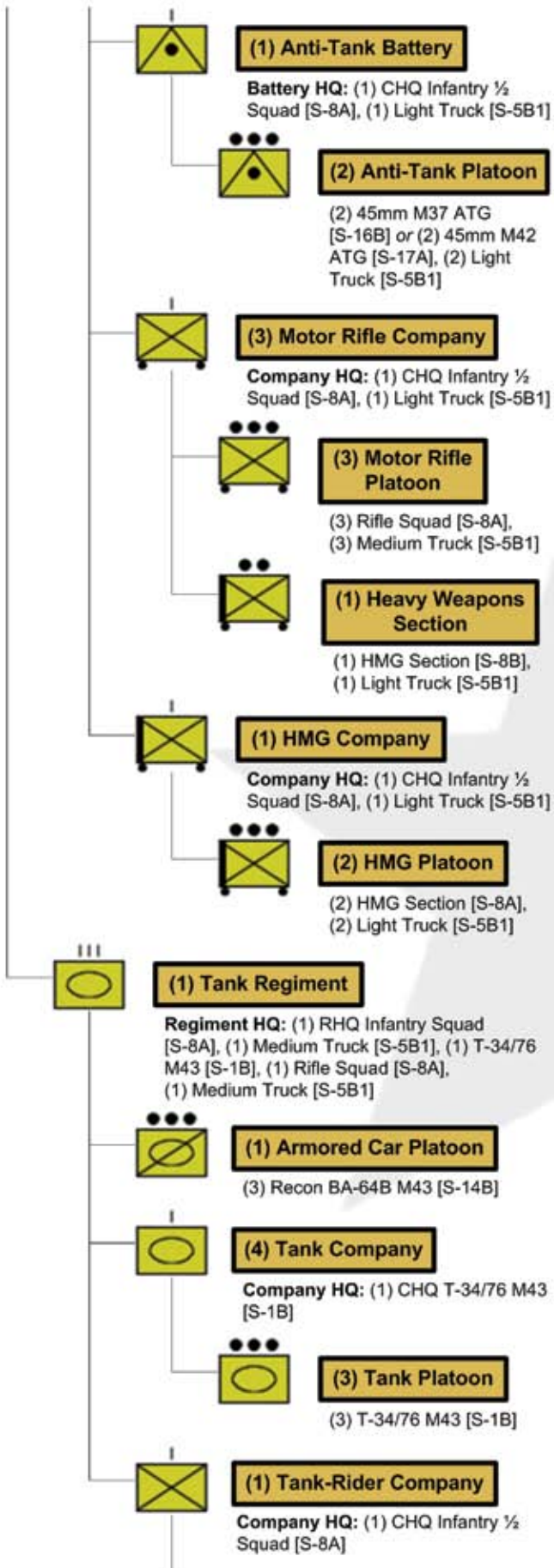


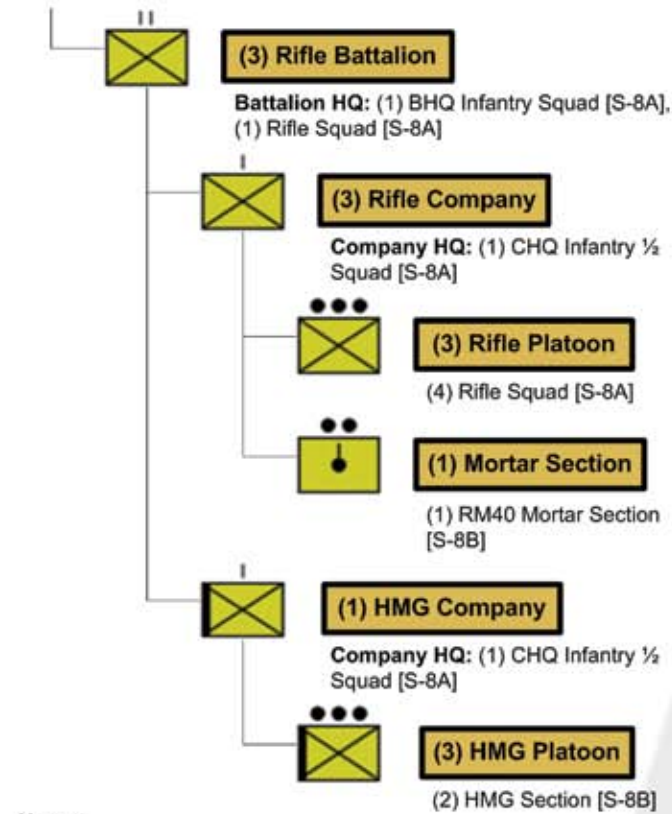


Notes:

- Tank corps fielded a single motorized rifle brigade. Mechanized corps fielded three mechanized brigades.
- The tank regiment was not fielded in motorized rifle brigades; mechanized and motorized rifle brigades are similar in all other respects.
- The older model T-34/76 M41 [S-9B] may substitute for the T-34/76 M42 [S-10A].
- The T-34/76 M43 [S-1B] began appearing in mid-1943 and may substitute for the T-34/76 M42 [S-10A].
- The older model T-60 M41 [S-22A] or T-60 M42 [S-9A] may substitute for the T-70 M42 [S-1A].
- The 57mm ZIS-2 M43 ATG [S-6A] began appearing in mid-1943 and may substitute for the 45mm M37 ATG [S-16B] or 45mm M42 ATG [S-17A].
- From mid-43, one M1 Bazooka is available to each motor rifle company.

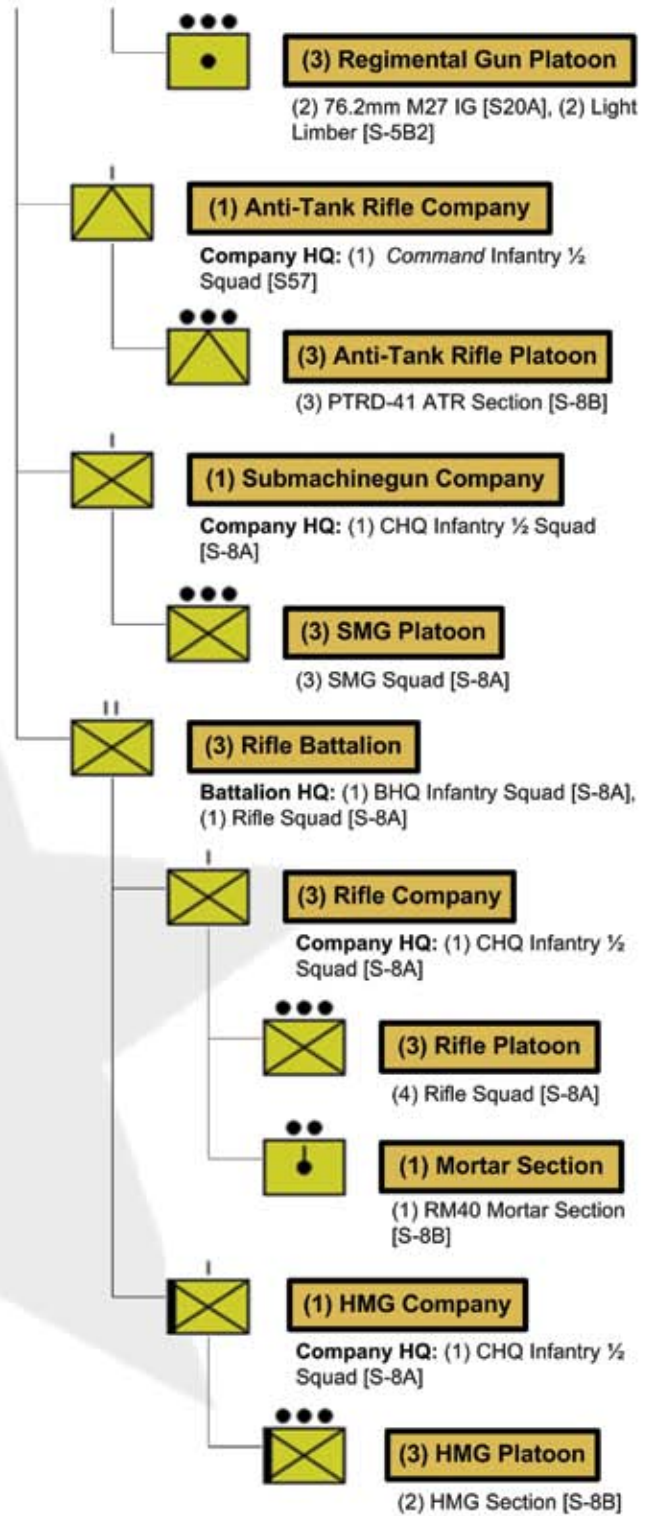
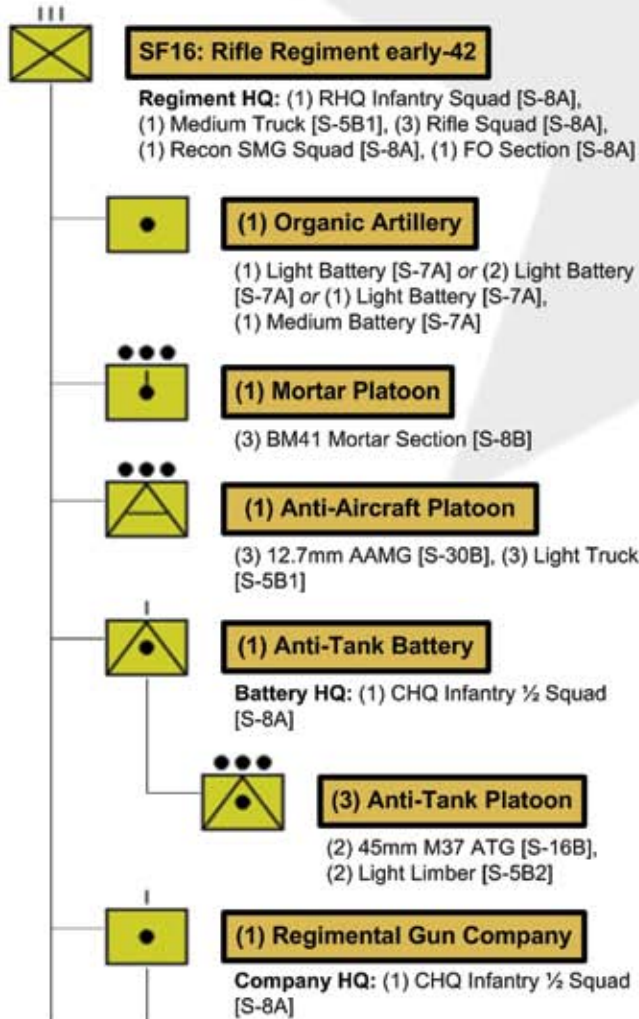






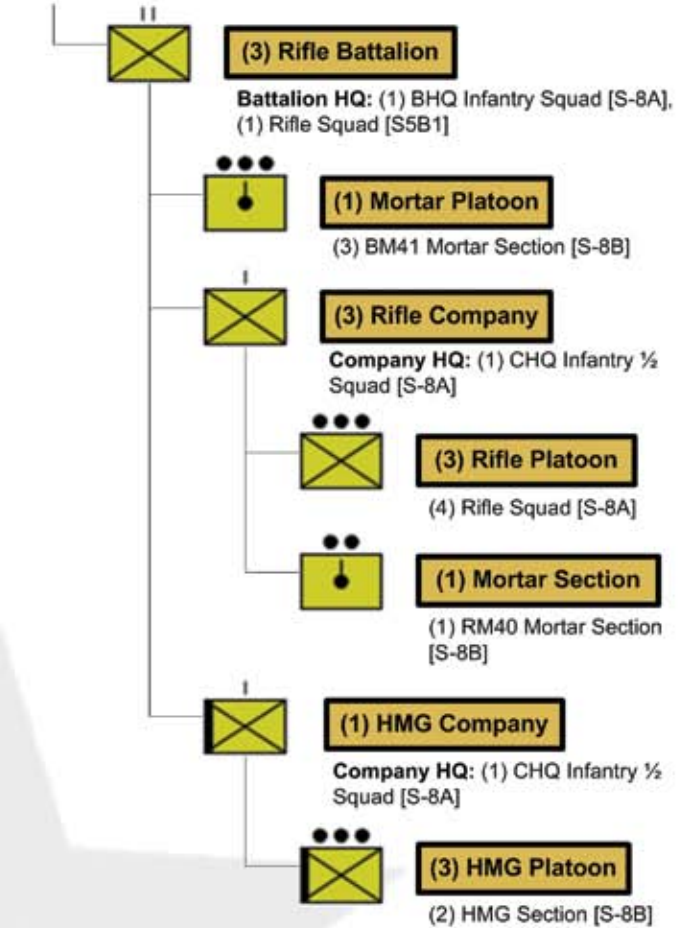
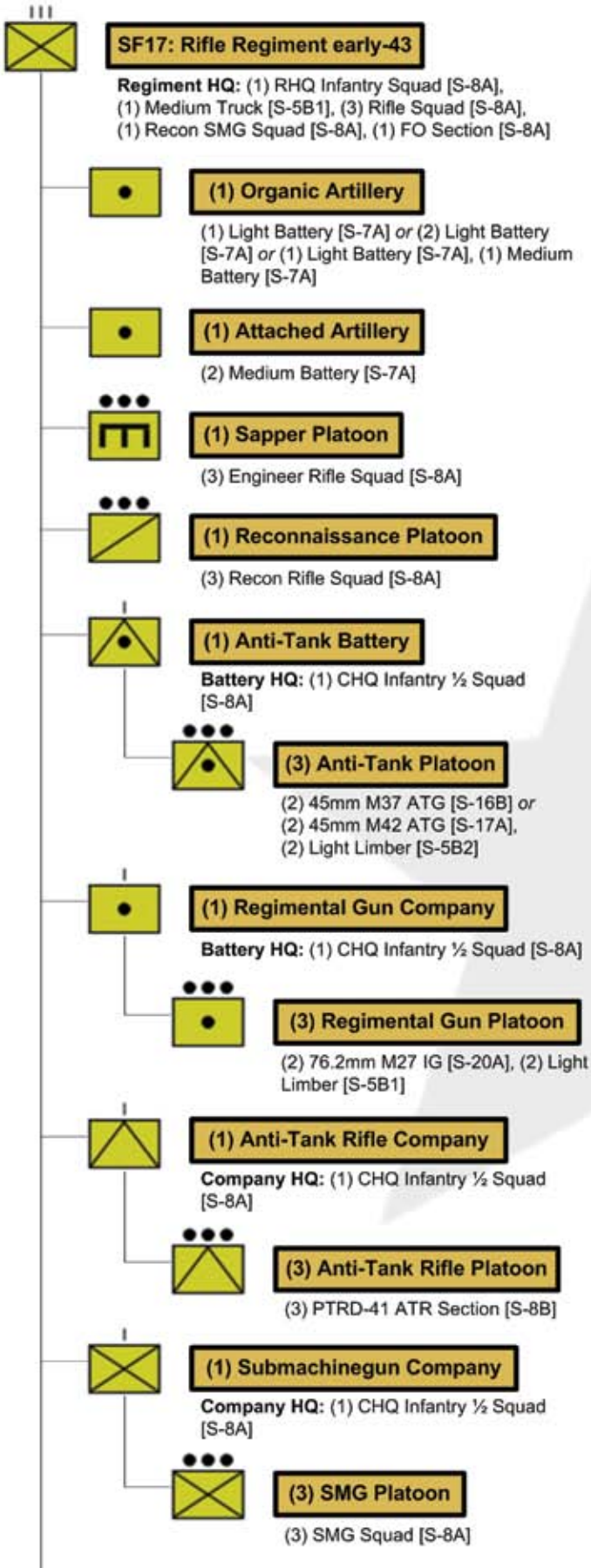
Notes:

- Rifle divisions fielded three rifle regiments.



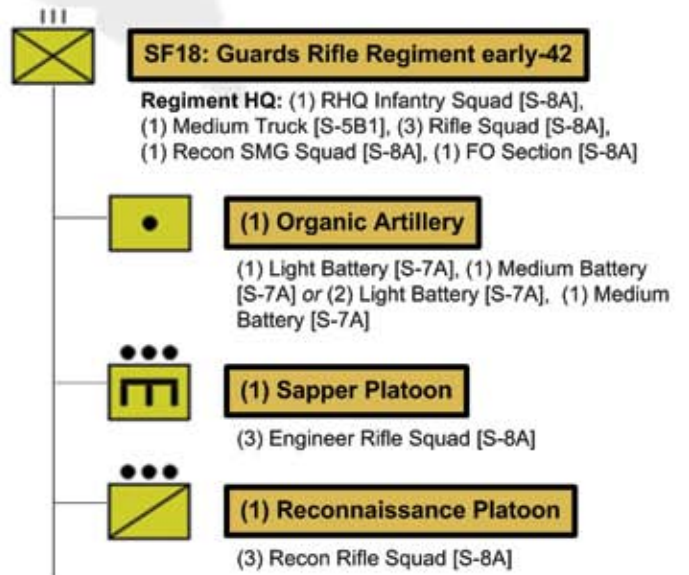
Notes:

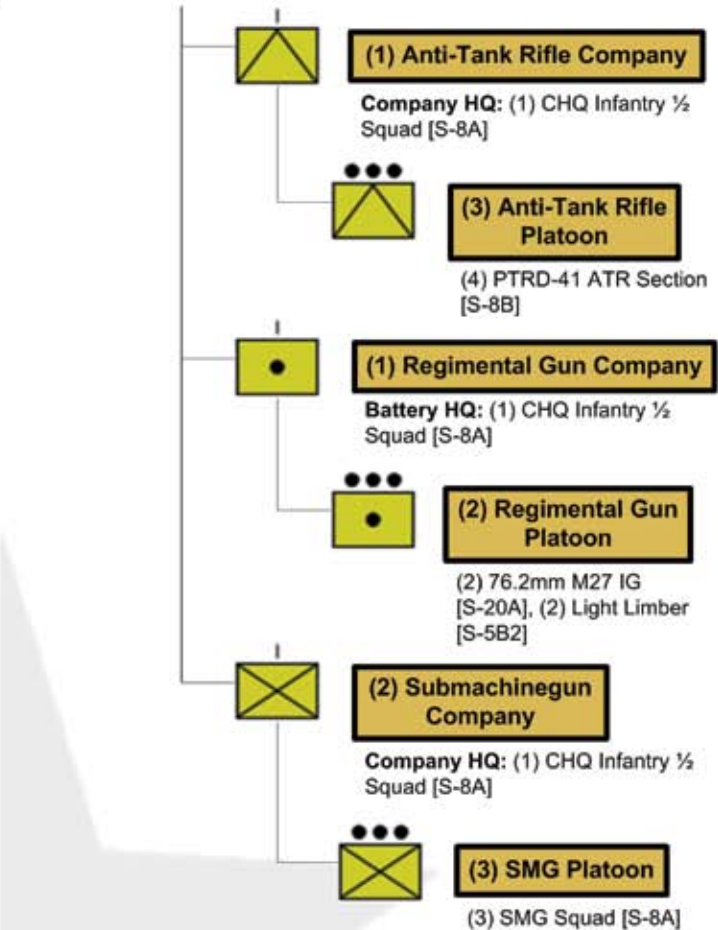
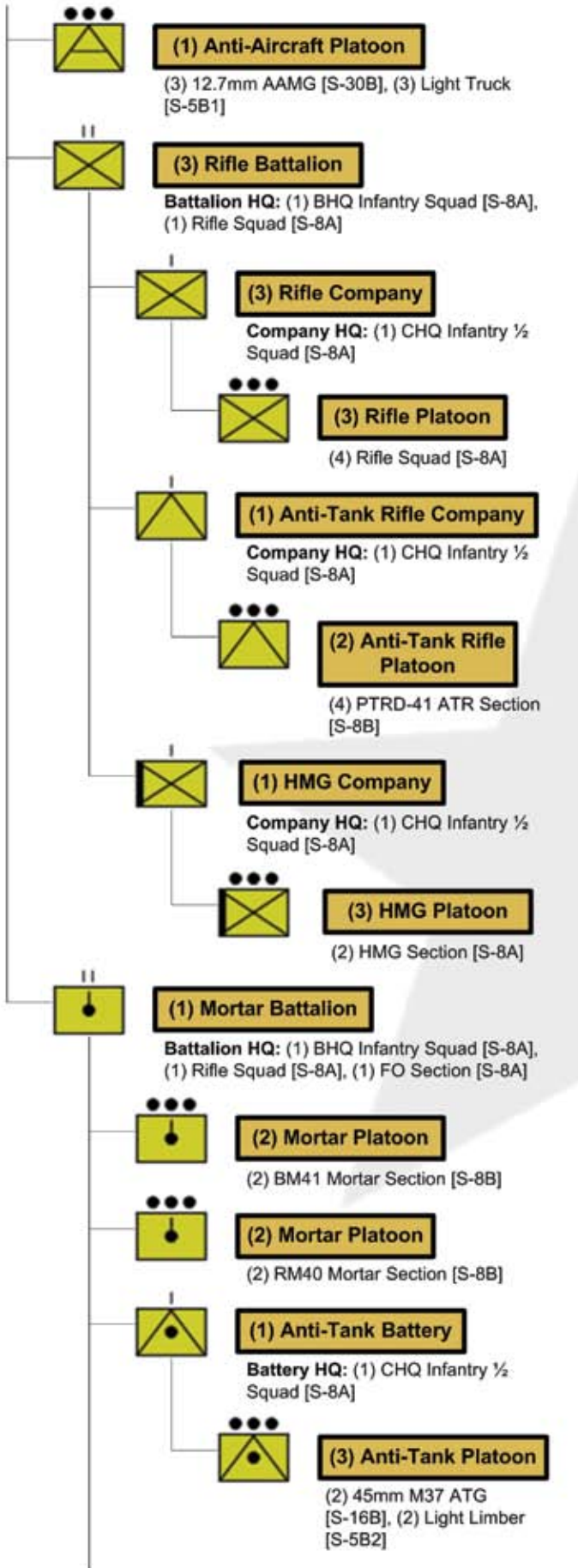
- Rifle divisions fielded three rifle regiments.
- Some rifle regiments started fielding the anti-tank rifle company and/or the submachinegun company in late-41.



Notes:

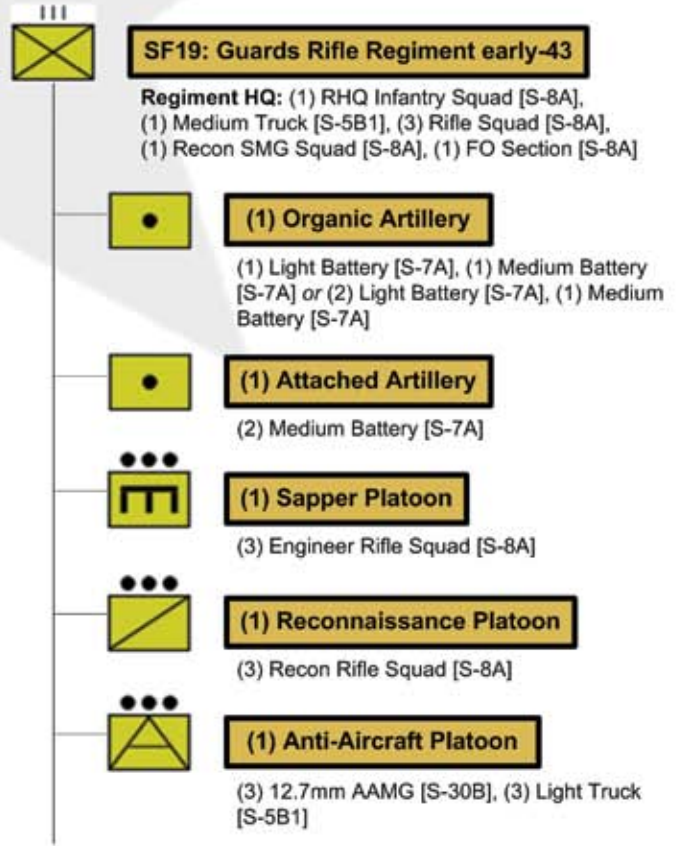
- Rifle divisions fielded three rifle regiments.
- This TO&E denotes the rifle regiment formation for the remainder of the war.
- The 57mm M43 ATG [S-6A] began appearing in mid-43 and may substitute for the 45mm M37 ATG [S-16B] or 45mm M42 ATG [S-17A].
- The anti-tank rifle company was dropped from many of the rifle regiments by 1944.
- The RM40 mortar section was dropped from many of the rifle companies by 1944.
- From late-43, a limited number of the rifle and SMG squads carry M1 Bazookas.

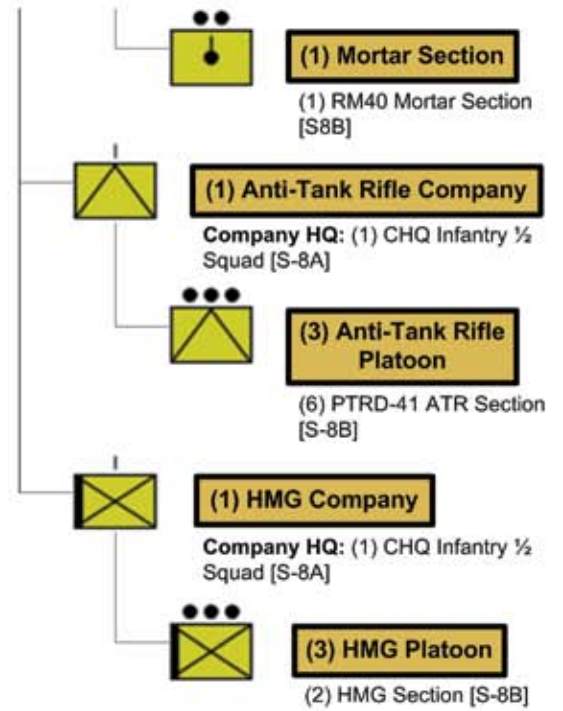
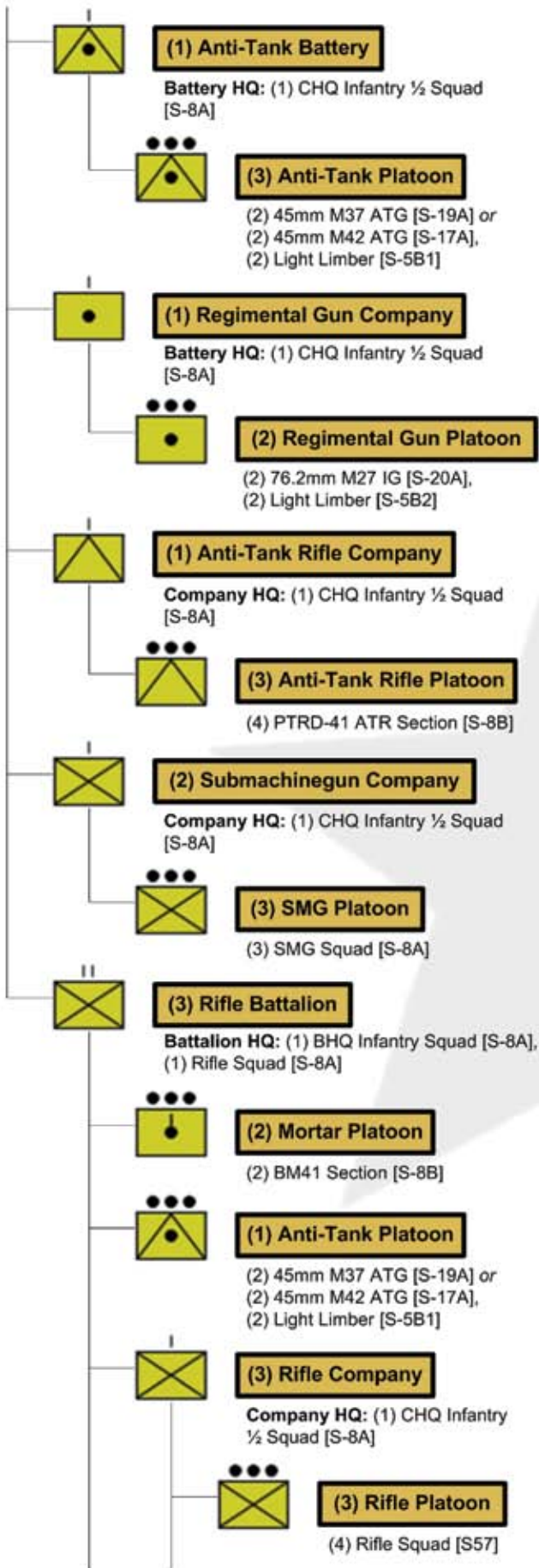




Notes:

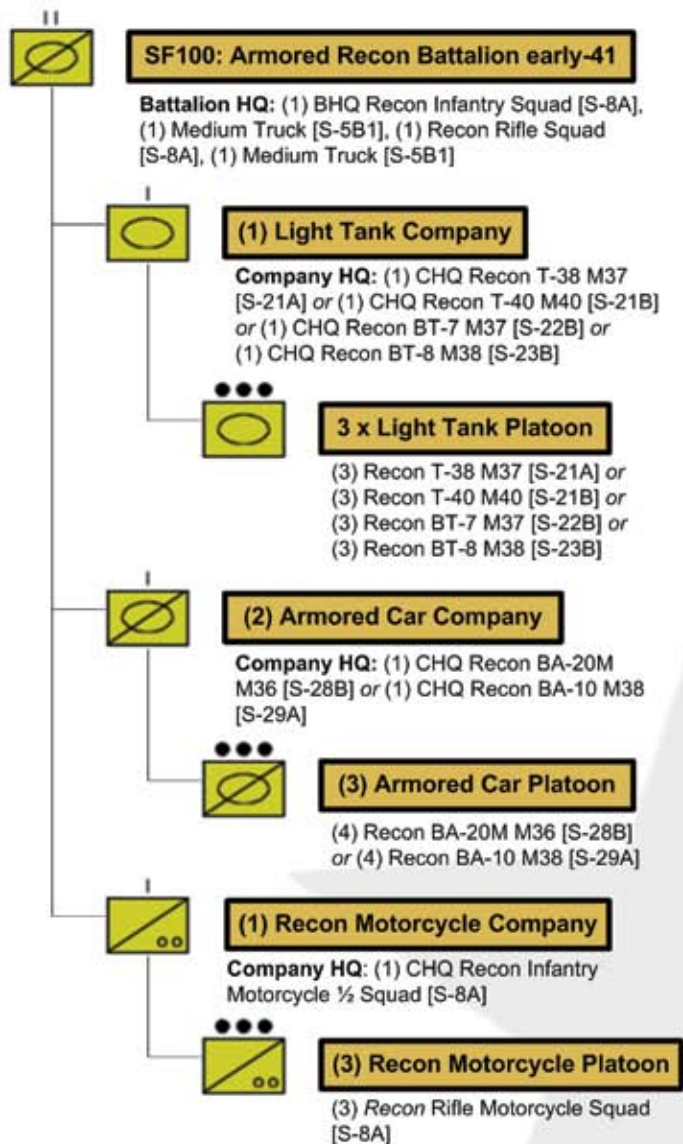
- Guards rifle divisions fielded three guards rifle regiments.





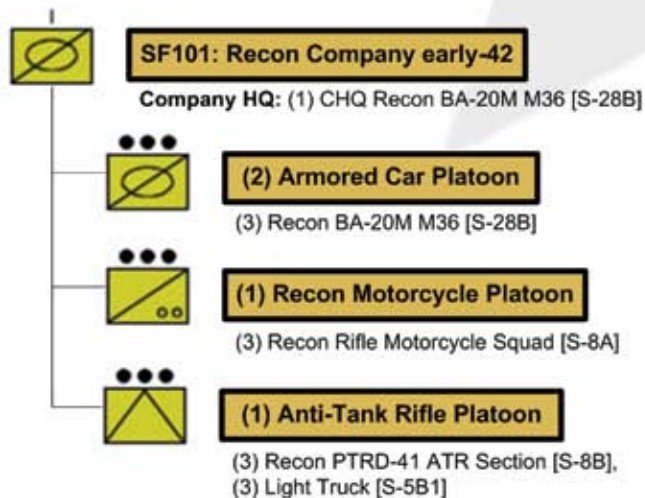
Notes:

- Guards rifle divisions fielded three guards rifle regiments.
- This TO&E denotes the guards rifle regiment formation for the remainder of the war.
- From early-45, 1 x Organic Artillery: (3) Light Battery [S-7A], (2) Medium Battery [S-7A].
- The 57mm M43 ATG [S-6A] began appearing in mid-43 and may substitute for the 45mm M37 ATG [S16B] or 45mm M42 ATG [S-17A].
- The anti-tank rifle units were dropped from many of the guards rifle regiments by 1944.
- The RM40 mortar section was dropped from many of the guards rifle companies by 1944.
- From late-43, a limited number of the rifle and SMG squads carry M1 Bazookas.



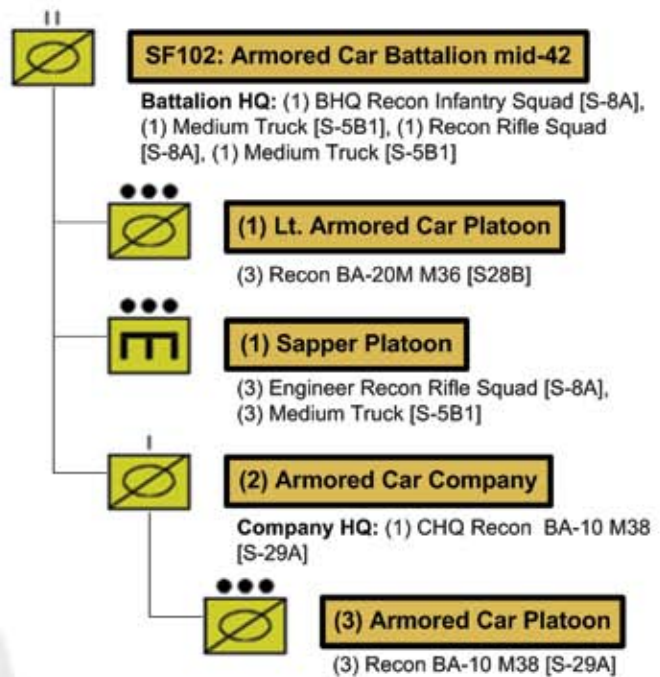
Notes:

- Tank and mechanized divisions fielded a single armored recon battalion.



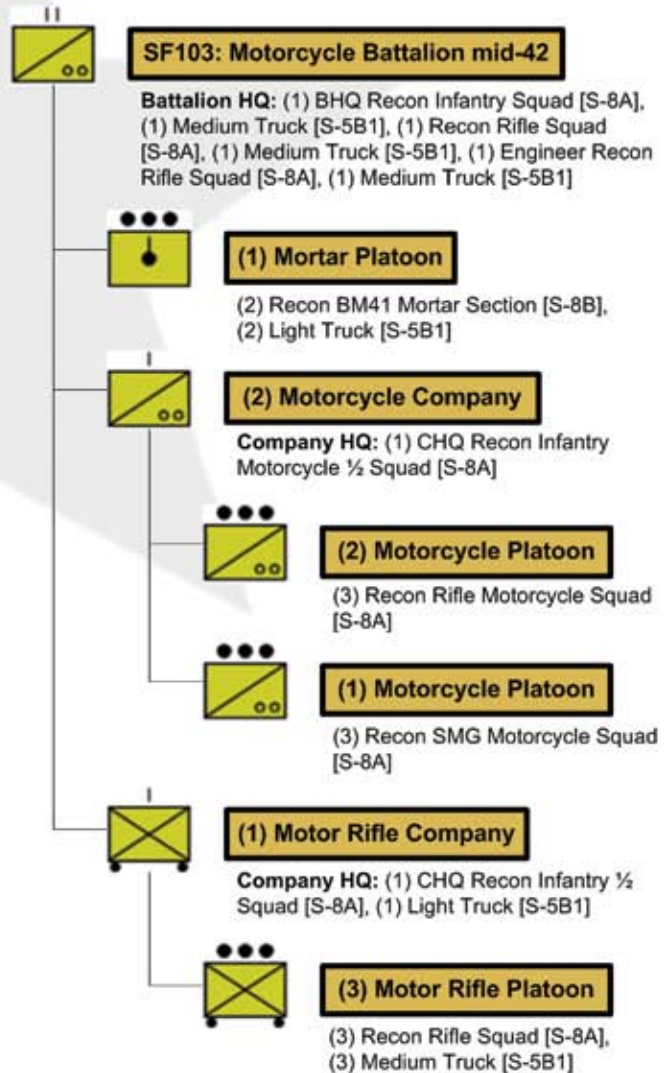
Notes:

- Tank corps fielded a single recon company.



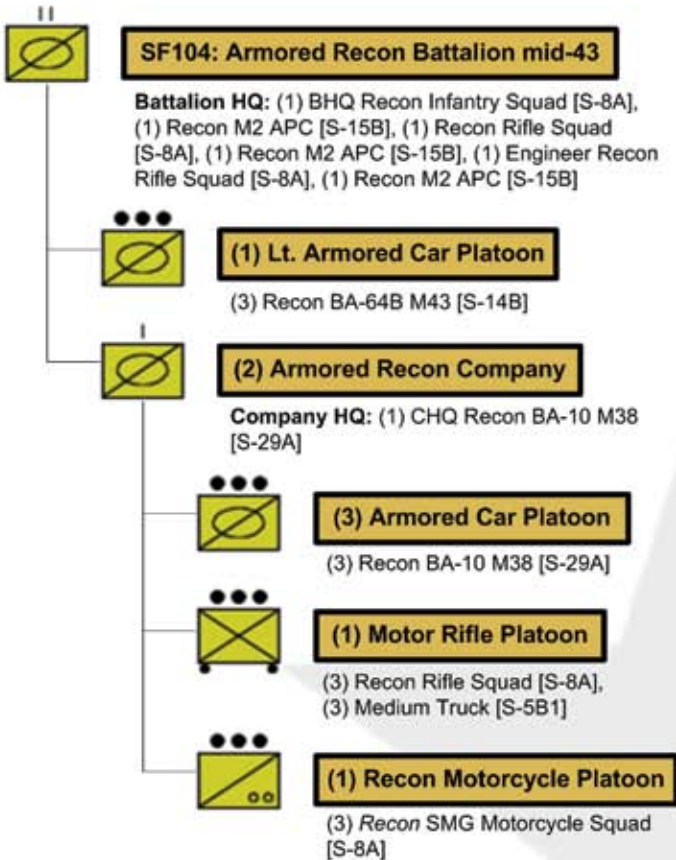
Notes:

- Tank and mechanized corps fielded a single armored car battalion.



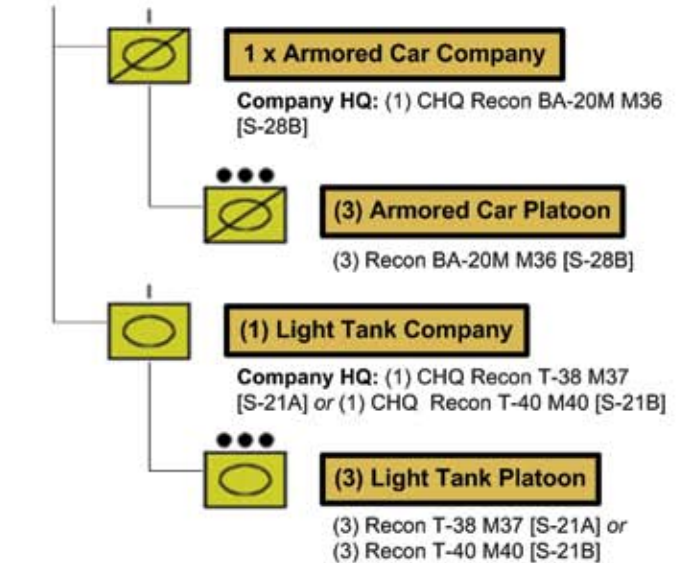
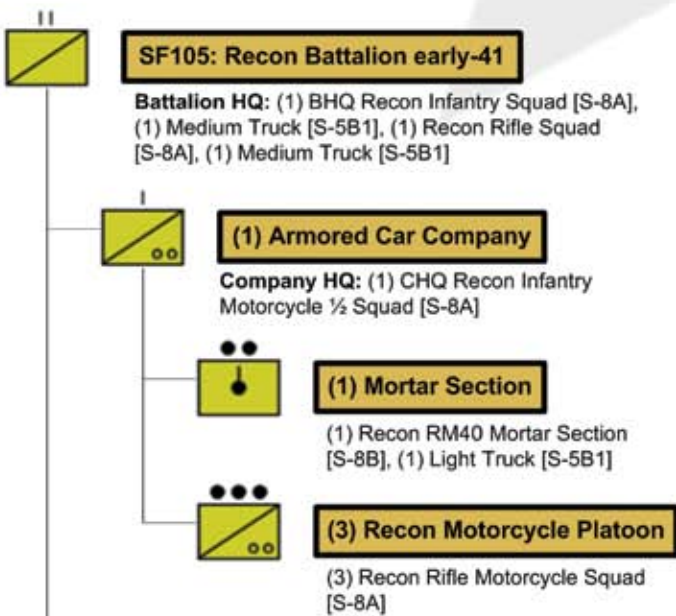
Notes:

- Tank and mechanized corps fielded a single motorcycle battalion.
- This TO&E denotes the motorcycle battalion formation for the remainder of the war.
- From late-43, a limited number of the rifle and SMG squads carry M1 Bazookas.



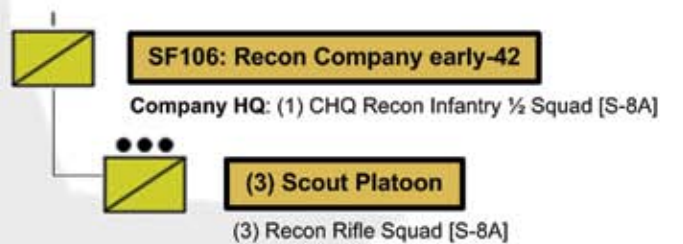
Notes:

- Tank and mechanized corps fielded a single armored recon battalion.
- This TO&E denotes the armored recon battalion formation for the remainder of the war.
- From late-43, a limited number of the rifle squads carry M1 Bazookas.



Notes:

- Rifle divisions fielded a single recon battalion.



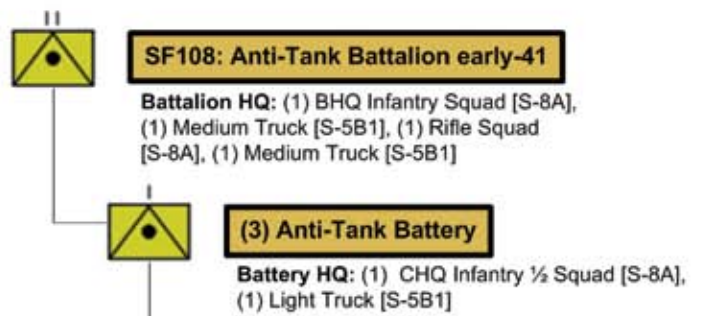
Notes:

- Rifle divisions fielded a single recon company.
- This TO&E denotes the armored recon company formation for the remainder of the war.
- From late-43, a limited number of the rifle squads carry M1 Bazookas.



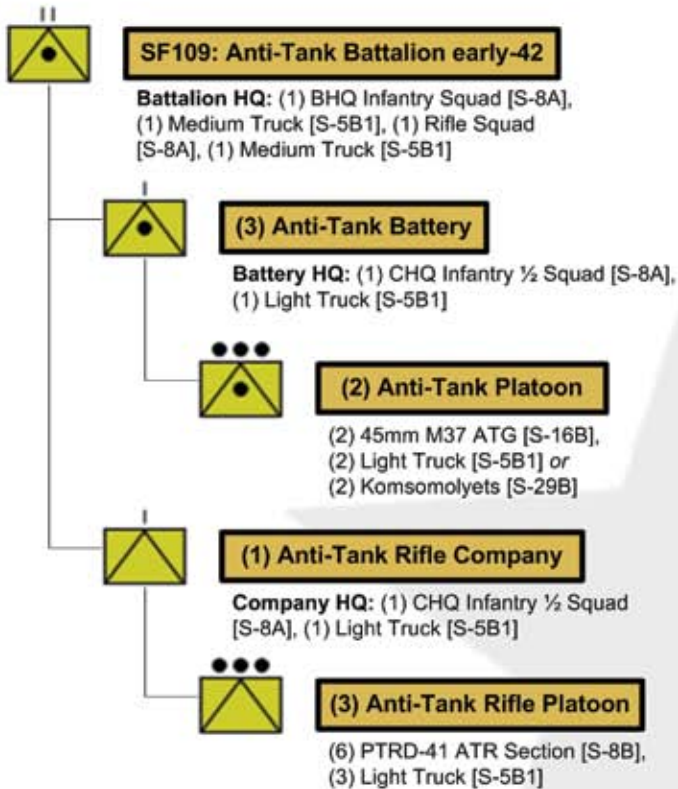
Notes:

- Guards rifle divisions fielded a single motorized recon company.
- This TO&E denotes the motorized recon company formation for the remainder of the war.
- From late-43, a limited number of the rifle squads carry M1 Bazookas.

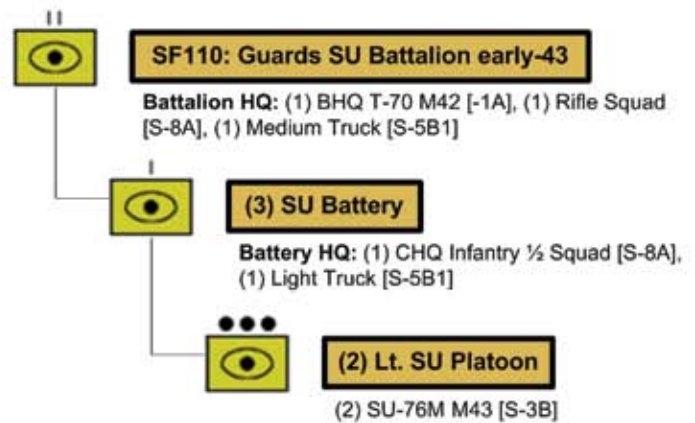


**Notes:**

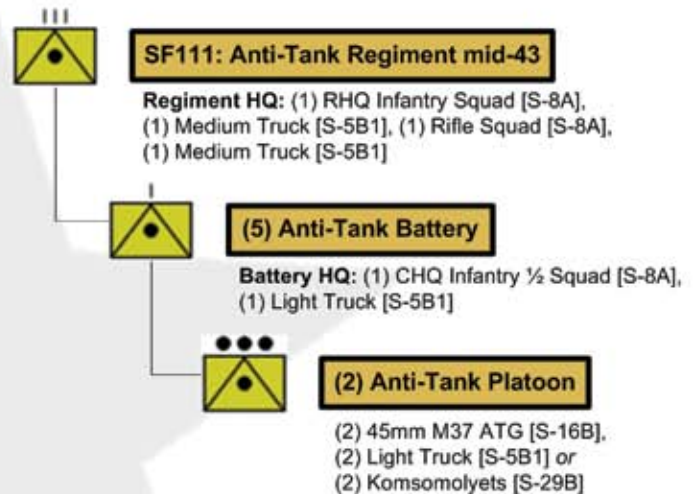
- Mechanized and rifle divisions fielded a single anti-tank battalion.
- The 76.2mm M36 ATG [S-17B] may substitute (including heavier transport) in limited numbers for the 45mm M37 ATG [S-16B].
- The 76.2mm M39 ATG [S-6B] may substitute (including heavier transport) for the 45mm M37 ATG [S-16B].

**Notes:**

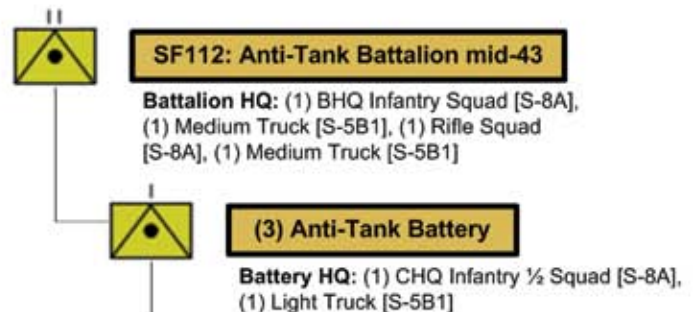
- Guards rifle and rifle divisions fielded a single anti-tank battalion.
- This TO&E denotes the anti-tank battalion formation for the remainder of the war.
- The 45mm M42 ATG [S-17A] began appearing in early-43 and may substitute for the 45mm M37 ATG [S-16B].
- The 57mm M43 ATG [S-6A] began appearing in mid-43 and may substitute for the 45mm M37 ATG [S-16B].
- The 76.2mm M36 ATG [S-17B] may substitute (including heavier transport) in very limited numbers for the 45mm M37 ATG [S-16B].
- The 76.2mm M39 ATG [S-6B] may substitute (including heavier transport) for the 45mm M37 ATG [S-16B].
- The 85mm M44 ATG [S-18A] began appearing in early-44 and may substitute (including heavier transport) in limited numbers for the 45mm M37 [S-16B].
- The 100mm M44 ATG [S-18B] began appearing in late-44 and may substitute (including heavier transport) in limited numbers for the 45mm M37 [S-16B].
- The anti-tank rifle units were dropped from many of the anti-tank battalions by 1944.

**Notes:**

- Starting in mid-44, the guards SU battalion may be substituted for the anti-tank battalion (SF109) in guards rifle divisions.
- This TO&E denotes the guards SU battalion formation for the remainder of the war.

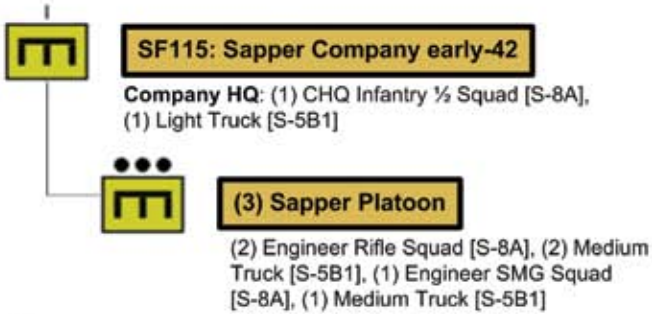
**Notes:**

- Tank and mechanized corps fielded a single anti-tank regiment.
- In mid-44, a sixth anti-tank battery was added to the regiment. Otherwise, this TO&E denotes the anti-tank regiment formation for the remainder of the war.
- The 45mm M42 ATG [S-17A] began appearing in early-43 and may substitute for the 45mm M37 ATG [S-16B].
- The 57mm M43 ATG [S-6A] began appearing in mid-43 and may substitute for the 45mm M37 ATG [S-16B].
- The 76.2mm M36 ATG [S-17B] may substitute (including heavier transport) in extremely limited numbers for the 45mm M37 ATG [S-16B].
- The 76.2mm M39 ATG [S-6B] may substitute (including heavier transport) for the 45mm M37 ATG [S-16B].

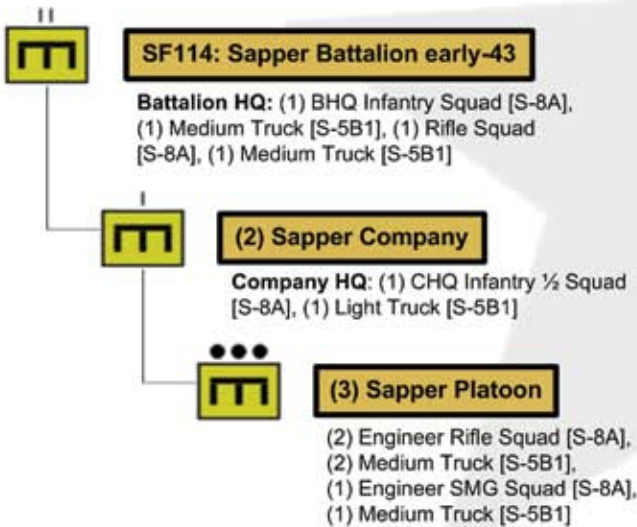




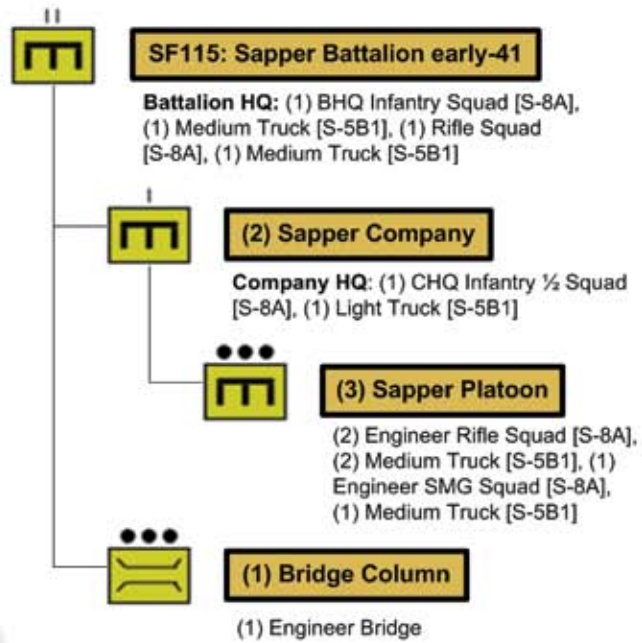
- Notes:**
- Tank and mechanized corps fielded a single anti-tank battalion.
 - This TO&E denotes the anti-tank battalion formation for the remainder of the war.
 - The 85mm M44 ATG [S-18A] began appearing in early-44 and may substitute for the 85mm M39 A/ATG [S-19B].
 - The 100mm M44 ATG [S-18B] began appearing in late-44 and may substitute for the 85mm M39 A/ATG [S-19B].



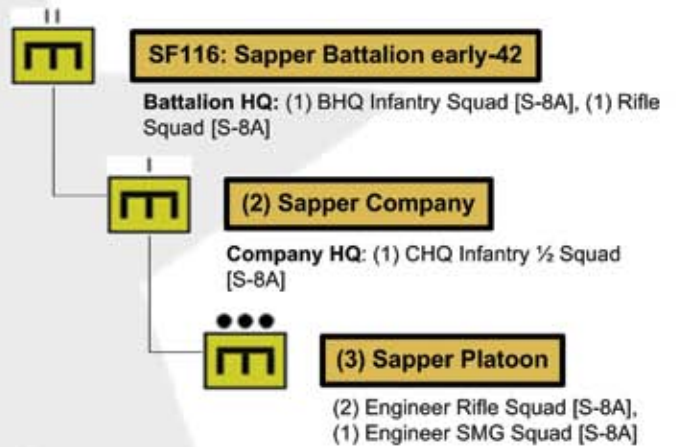
- Notes:**
- Tank corps fielded a single sapper company.
 - Starting in late-42, mechanized corps fielded a single sapper company.



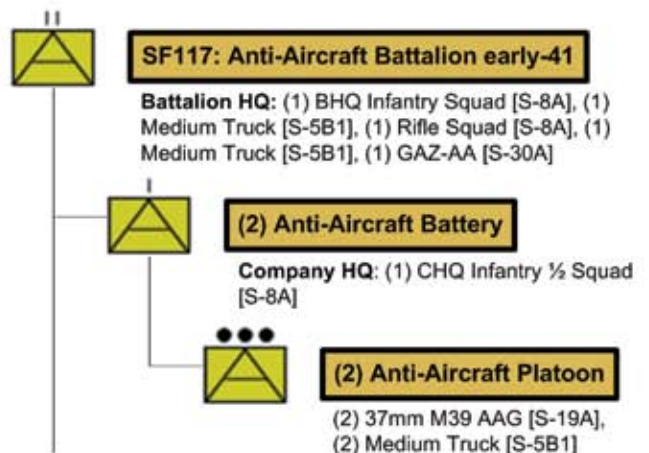
- Notes:**
- Tank and mechanized corps fielded a single sapper battalion.
 - This TO&E denotes the sapper battalion formation for the remainder of the war.
 - Starting in mid-44, the sapper battalion added a third sapper company.
 - From late-43, a limited number of the rifle squads carry M1 Bazookas.

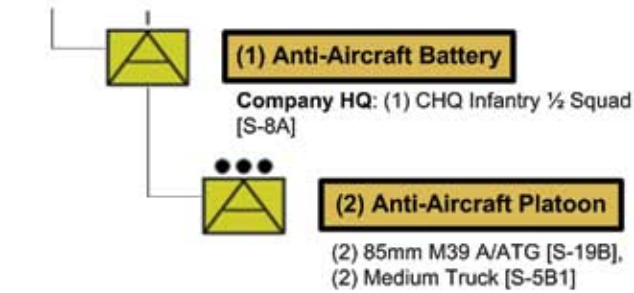


- Notes:**
- Mechanized and rifle divisions fielded a single sapper battalion.
 - Very few tank divisions fielded a single sapper battalion.

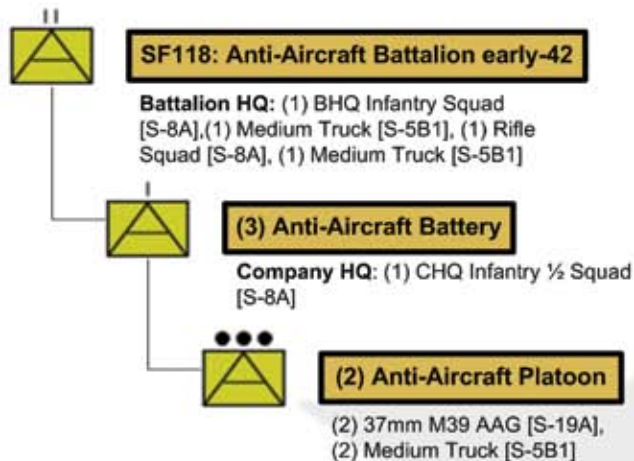


- Notes:**
- Guards rifle and rifle divisions fielded a single sapper battalion.
 - This TO&E denotes the sapper battalion formation for the remainder of the war.
 - Starting in mid-44, guards sapper battalions added a third sapper company.
 - From late-43, a limited number of the rifle squads carry M1 Bazookas.

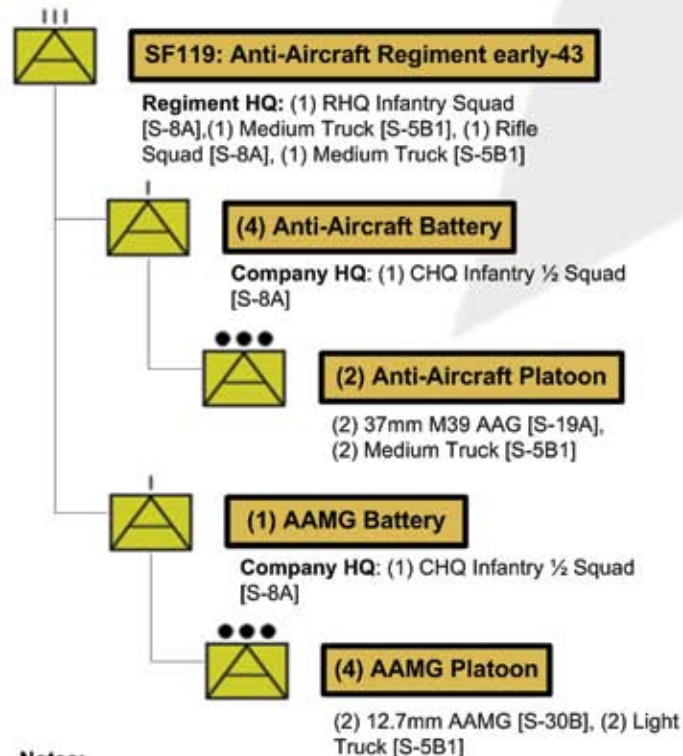


**Notes:**

- Tank and mechanized divisions fielded a single anti-aircraft battalion.
- A limited number of rifle divisions fielded a single anti-aircraft battalion.

**Notes:**

- Tank and mechanized corps fielded a single anti-aircraft battalion.
- Some guards rifle and rifle divisions fielded a single anti-aircraft battalion. Starting in early-43, it was dropped from most divisions.

**Notes:**

- Tank and mechanized corps fielded a single anti-aircraft regiment.
- This TO&E denotes the anti-tank regiment formation for the remainder of the war.



(4) Attached Medium Battery [S-7A]

Notes:

- Fielded as regimental assets in guards rifle and rifle divisions.



(6) Organic Light Battery [S-7A]

Notes:

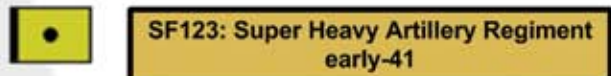
- Fielded as brigade assets in tank and mechanized corps.



(4) Organic Heavy Battery [S-7A]

Notes:

- Fielded as assets in tank and mechanized corps and guards rifle and rifle divisions.



(4) Organic Super Heavy Battery [S-7A]

Notes:

- Fielded as assets in tank and mechanized corps and tank, mechanized and guards rifle and rifle divisions.



GMT Games, LLC

P.O. Box 1308, Hanford, CA 93232-1308

www.GMTGames.com